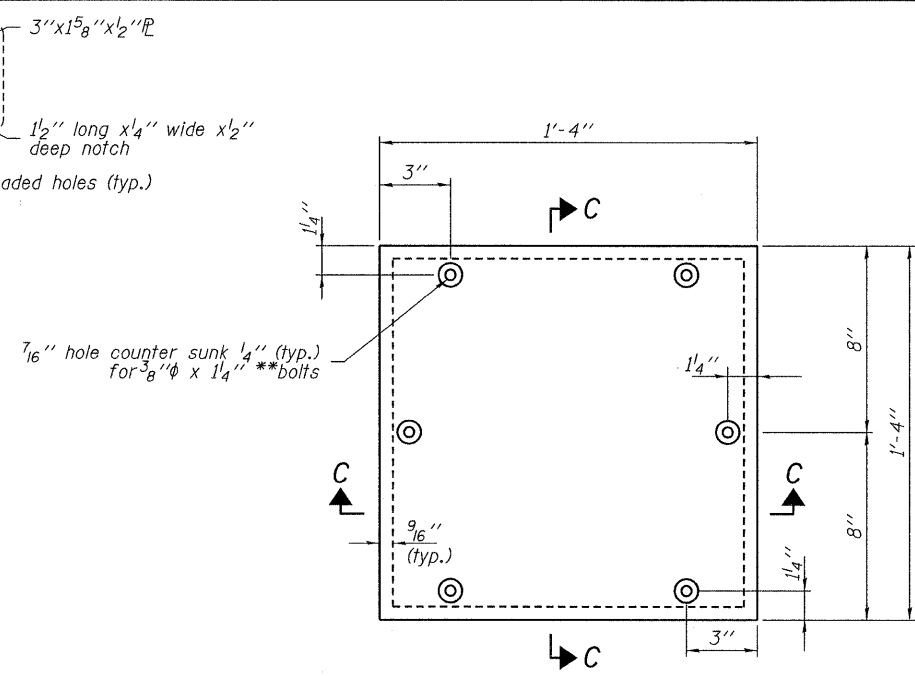
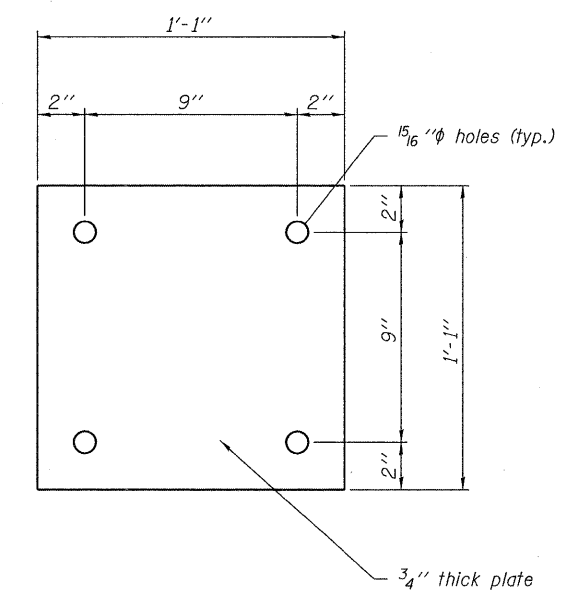


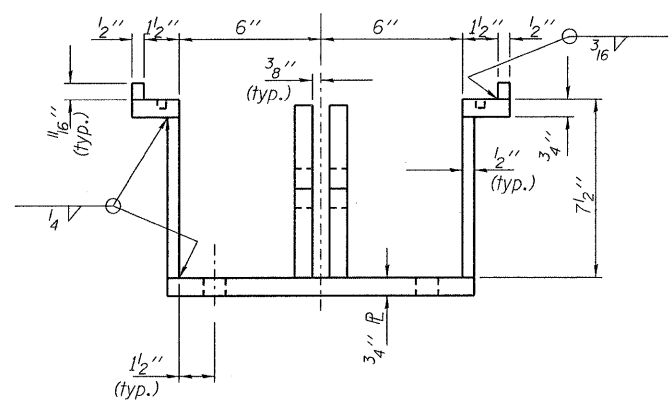
ANCHOR SHOE



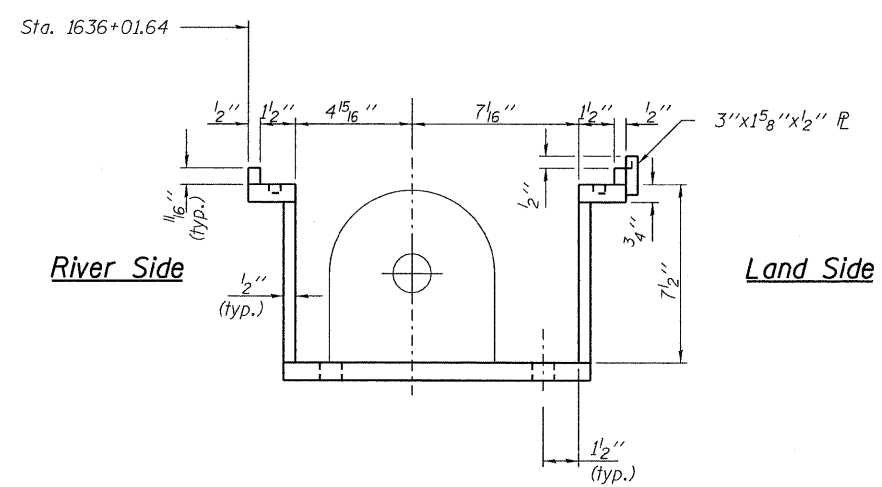
ANCHOR SHOE LID



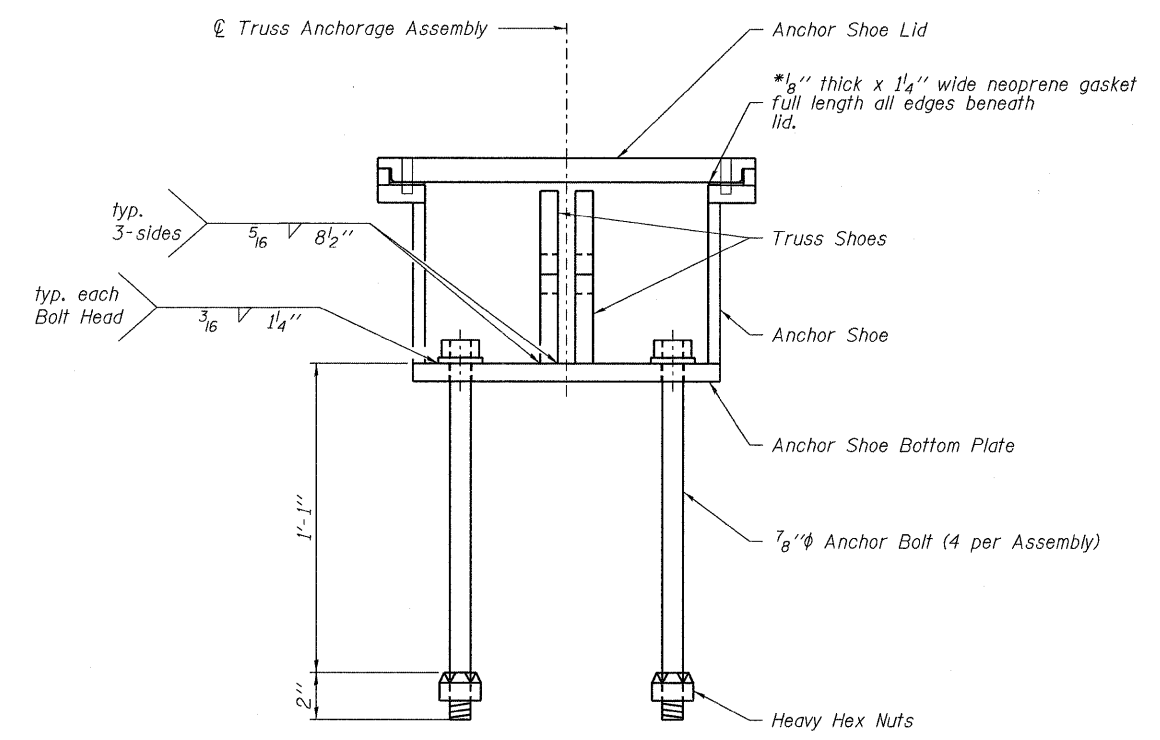
ANCHOR SHOE BOTTOM PLATE



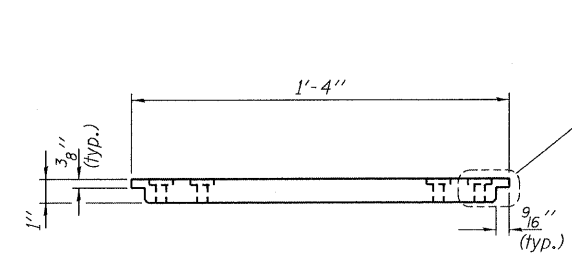
SECTION A-A



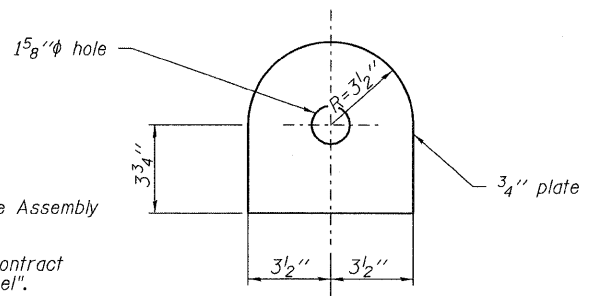
SECTION B-B



TRUSS ANCHORAGE ASSEMBLY
(4 Assemblies required)



SECTION C-C



TRUSS SHOE
(2 per Assembly)

Notes:
 All steel plates used in Truss Anchorage Assembly shall be AASHTO M270 Grade 50.
 *Cost of neoprene gasket included with contract unit price for "Furnishing Structural Steel".
 Anchor bolts shall be ASTM 1554, Grade 50 with 2 1/4" x 2 1/4" x 5/16" R washer under head of bolt.
 Truss Anchorage Assembly shall be galvanized according to AASHTO M111 after fabrication.
 Cost of Truss Anchorage Assembly included with contract unit price for "Furnishing Structural Steel".
 **Use hardened Stainless Steel Hex Leaded bolts with anti-sieze compound on the threads.

DESIGNED - T.P.L.
CHECKED - M.D.C., S.M.S.
DRAWN - P.J.L.
CHECKED - J.L.B.

HAMPTON, LENZINI & RENWICK, INC.
 CIVIL & STRUCTURAL ENGINEERS
 LAND SURVEYORS
 3085 STEVENSON DRIVE, SUITE 201
 SPRINGFIELD, ILLINOIS 62703
 (217) 546-3400
 PROJECT NUMBER: 08.0214.130 DATE: 10/01/09

SHEET NO. 7 14 SHEETS	FAP	SECTION	COUNTY	TOTAL SHEETS	SHEET NO.
	869	(105)RS-2	SALINE	82	42
IL-34 HARRISBURG			CONTRACT NO. 78079		
FED. ROAD DIST. NO.		ILLINOIS	FED. AID PROJECT		