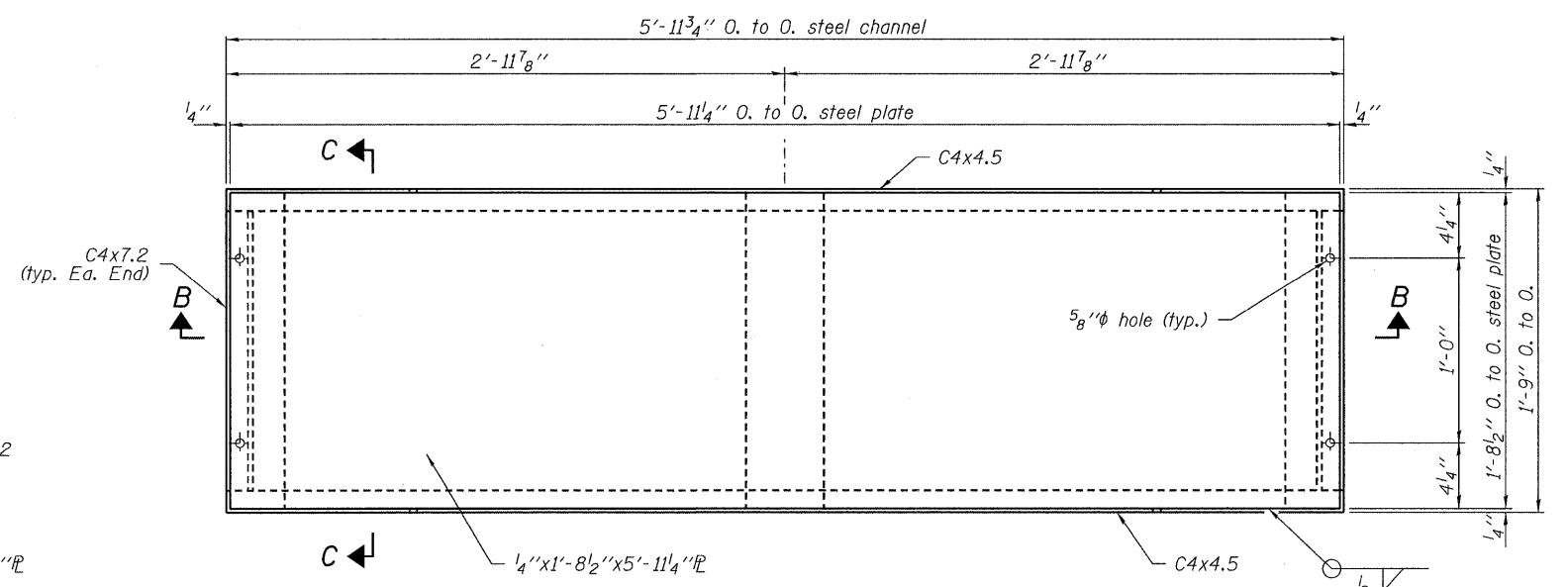
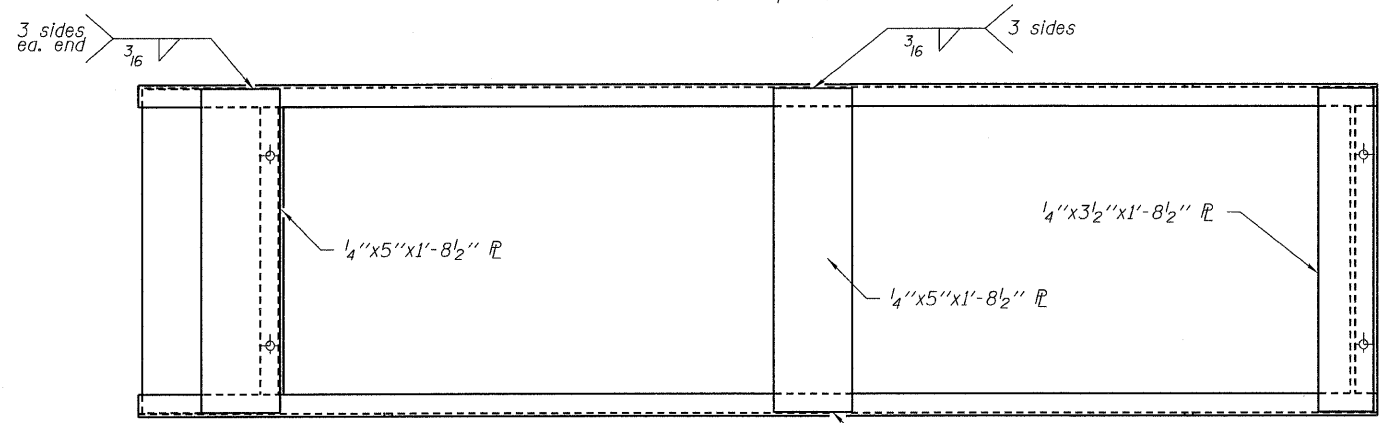


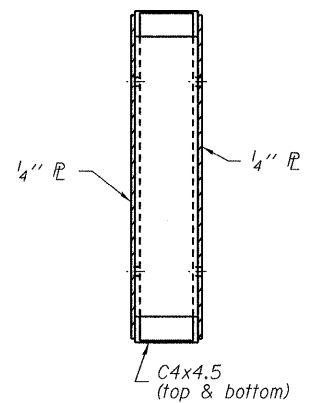
EXTERIOR WALL PANEL PLAN (EP)
(12-required)



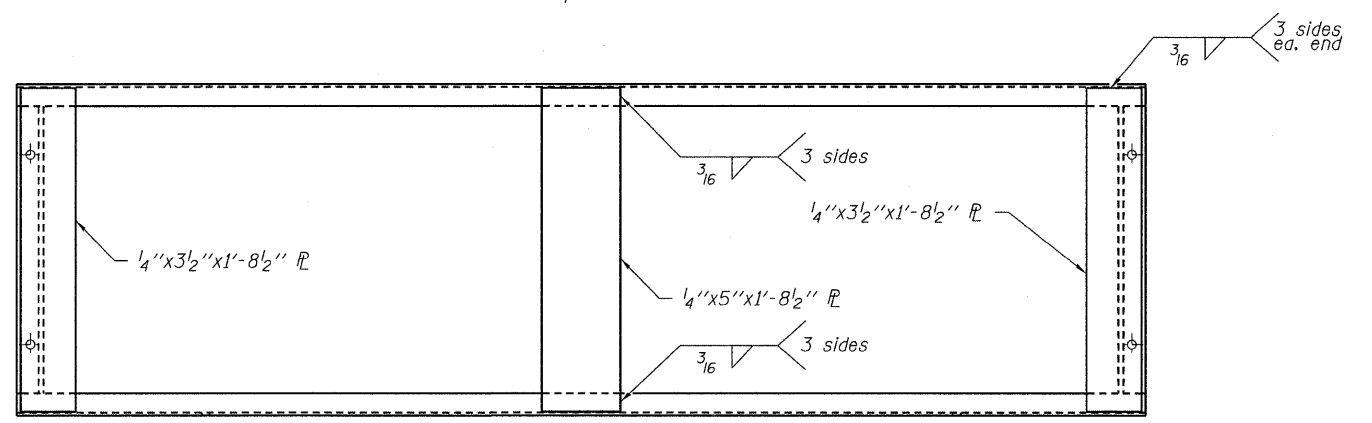
INTERIOR WALL PANEL PLAN (IP)
(19-required)



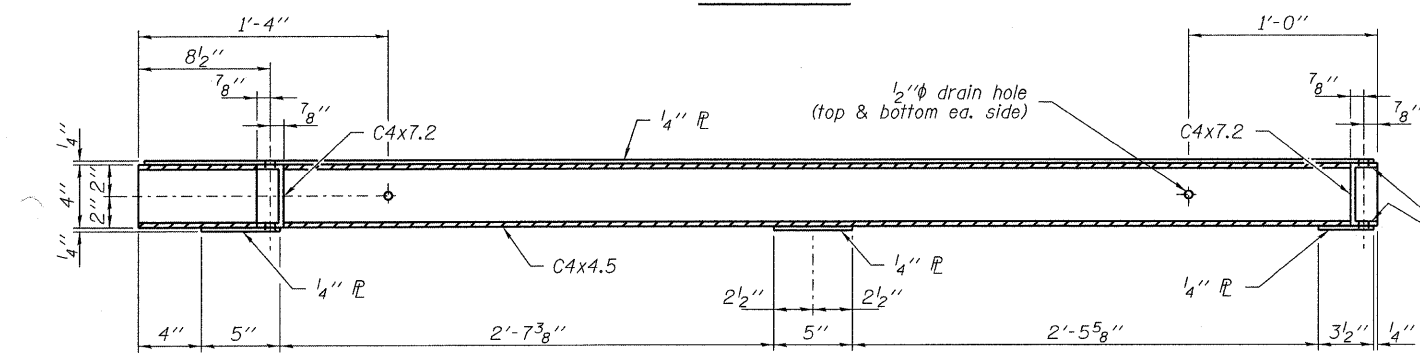
BACK VIEW



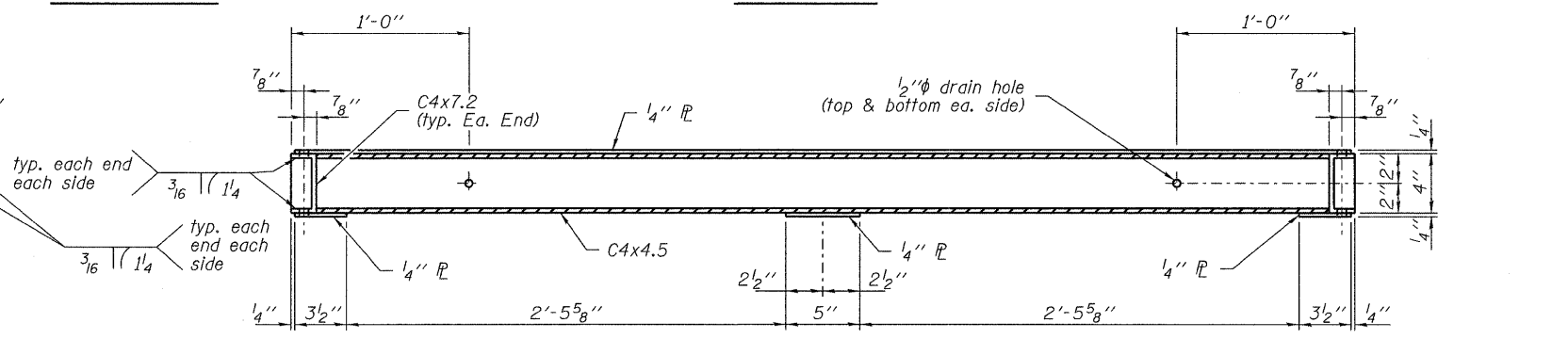
SECTION C-C



BACK VIEW



SECTION A-A



SECTION B-B

Notes:

Steel Wall Panels assembly shall be galvanized according to AASHTO M111 after fabrication.

All steel plate and channels used in the Wall Panels shall be AASHTO M270 Grade 36.

Following fabrication and prior to galvanizing the Wall Panels will have the letters shown in parenthesis next to their title placed on it in 2 1/2" tall by 3/16" thick block capital letters using weld bead and centered on the front face of the panels.

DESIGNED - T.P.L.
CHECKED - M.D.C., S.M.S.
DRAWN - P.J.L.
CHECKED - J.L.B.

**WALL PANEL PLAN
MOVABLE LEVEE CLOSURE STRUCTURE**

HAMPTON, LENZINI & RENWICK, INC. CIVIL & STRUCTURAL ENGINEERS LAND SURVEYORS HLR 3085 STEVENSON DRIVE, SUITE 201 SPRINGFIELD, ILLINOIS 62703 (217) 546-3400 PROJECT NUMBER: 08.0214.130 DATE: 10/01/09	SHEET NO. 11	FAP	SECTION	COUNTY	TOTAL SHEETS	SHEET NO.
	14 SHEETS	869	(105)RS-2	SALINE	82	46
		IL-34 HARRISBURG		CONTRACT NO. 78079		
		FED. ROAD DIST. NO.	ILLINOIS	FED. AID PROJECT		