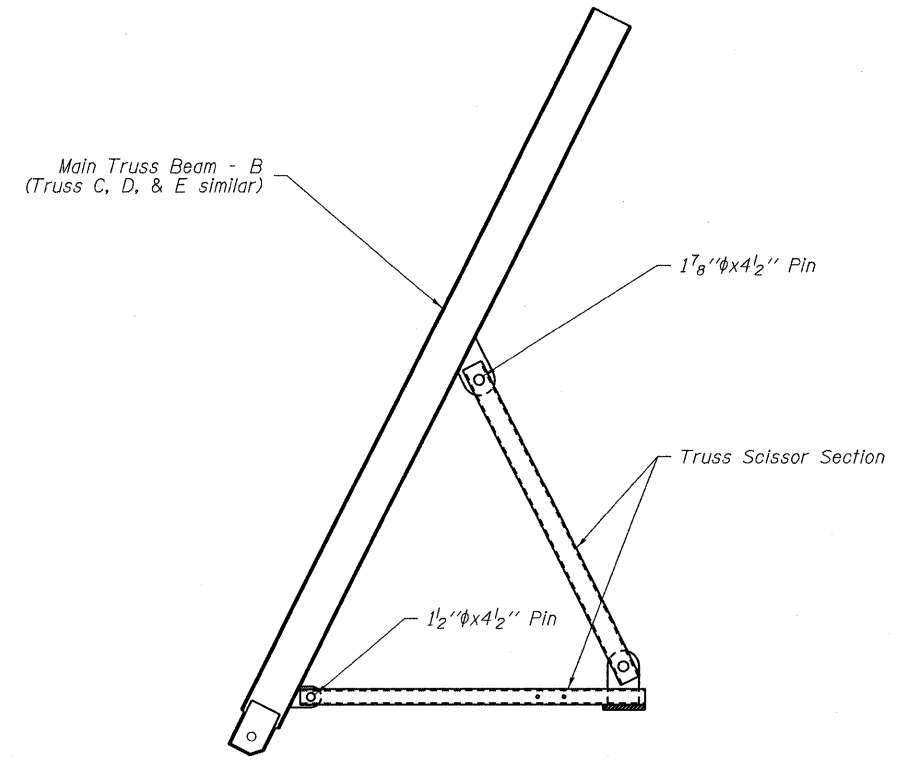
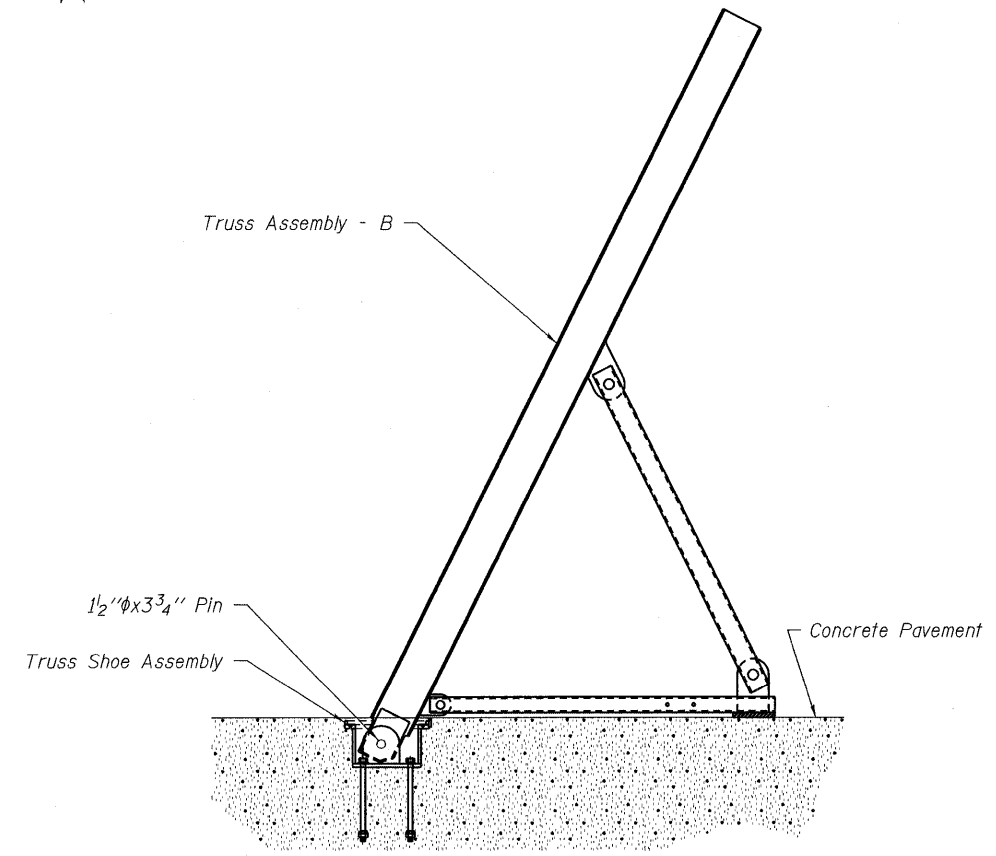
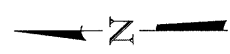


**FIGURE C**



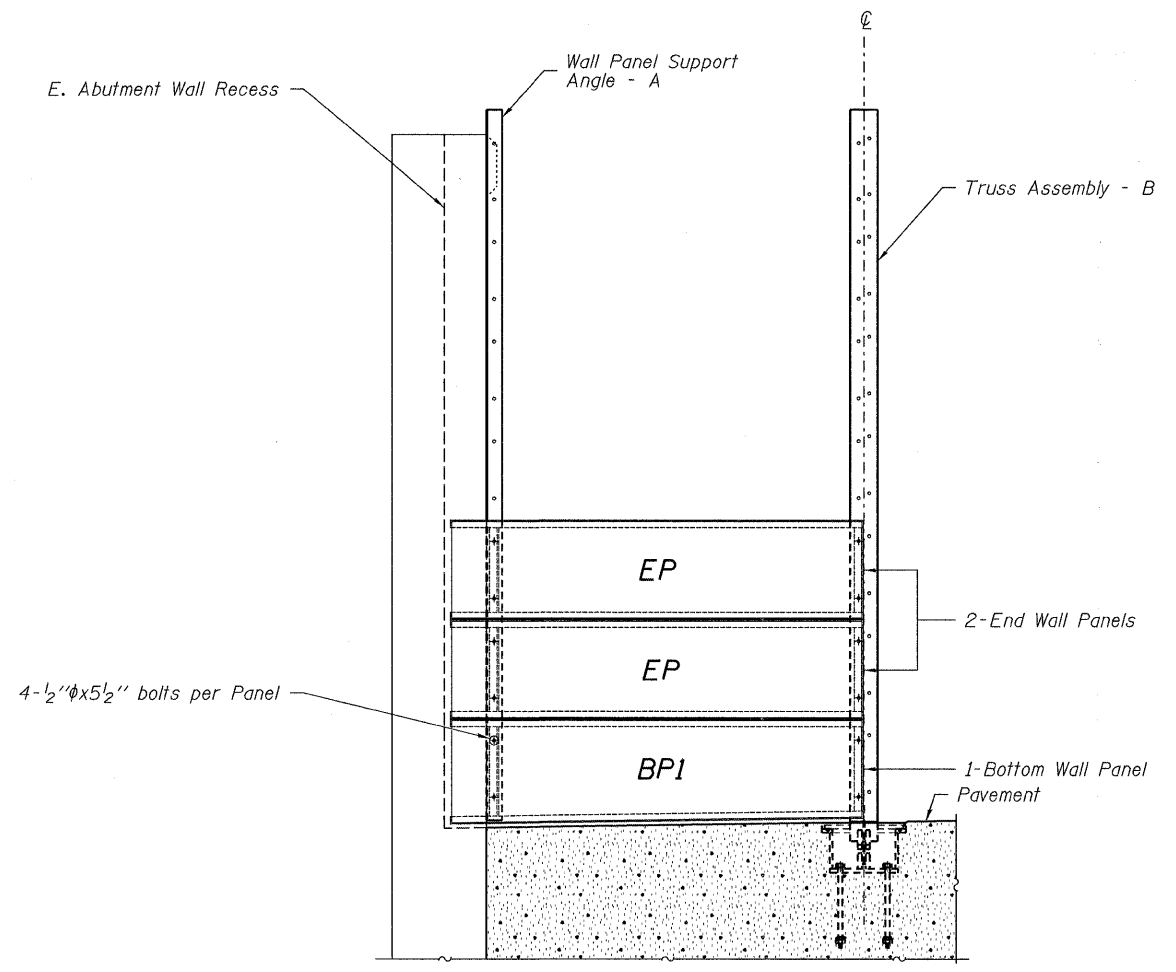
**TRUSS ASSEMBLY**  
(Figure C-1)



**TRUSS ERECTION**  
(Figure C-2)

DESIGNED - T.P.L.
CHECKED - M.D.C., S.M.S.
DRAWN - P.J.L.
CHECKED - J.L.B.

**FIGURE D**



**ERECT 3 WALL PANELS**

**ASSEMBLY INSTRUCTIONS**  
**TRUSS ASSEMBLY PLAN**  
**MOVABLE LEVEE CLOSURE STRUCTURE**

<b>HAMPTON, LENZINI &amp; RENWICK, INC.</b> CIVIL & STRUCTURAL ENGINEERS LAND SURVEYORS 3085 STEVENSON DRIVE, SUITE 201 SPRINGFIELD, ILLINOIS 62703 (217) 546-3400	SHEET NO. 3	FAP	SECTION	COUNTY	TOTAL SHEETS	SHEET NO.
	8 SHEETS	869	(105)RS-2	SALINE	82	52
	PROJECT NUMBER: 08.0214.130	DATE: 10/01/09	IL-34 HARRISBURG		CONTRACT NO. 78079	
		FED. ROAD DIST. NO.		ILLINOIS	FED. AID PROJECT	