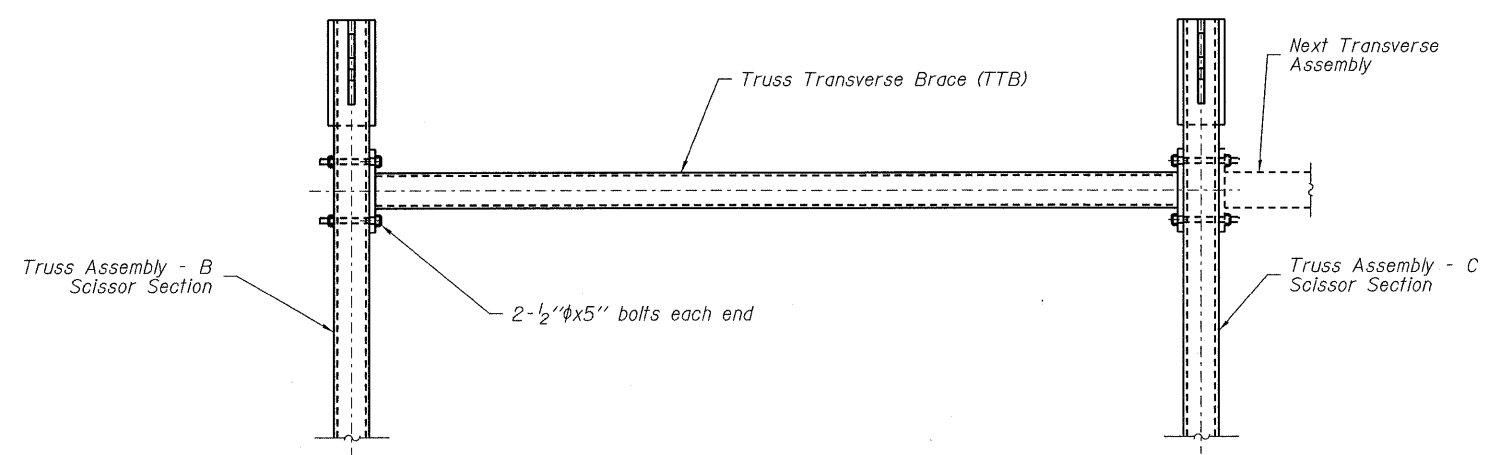


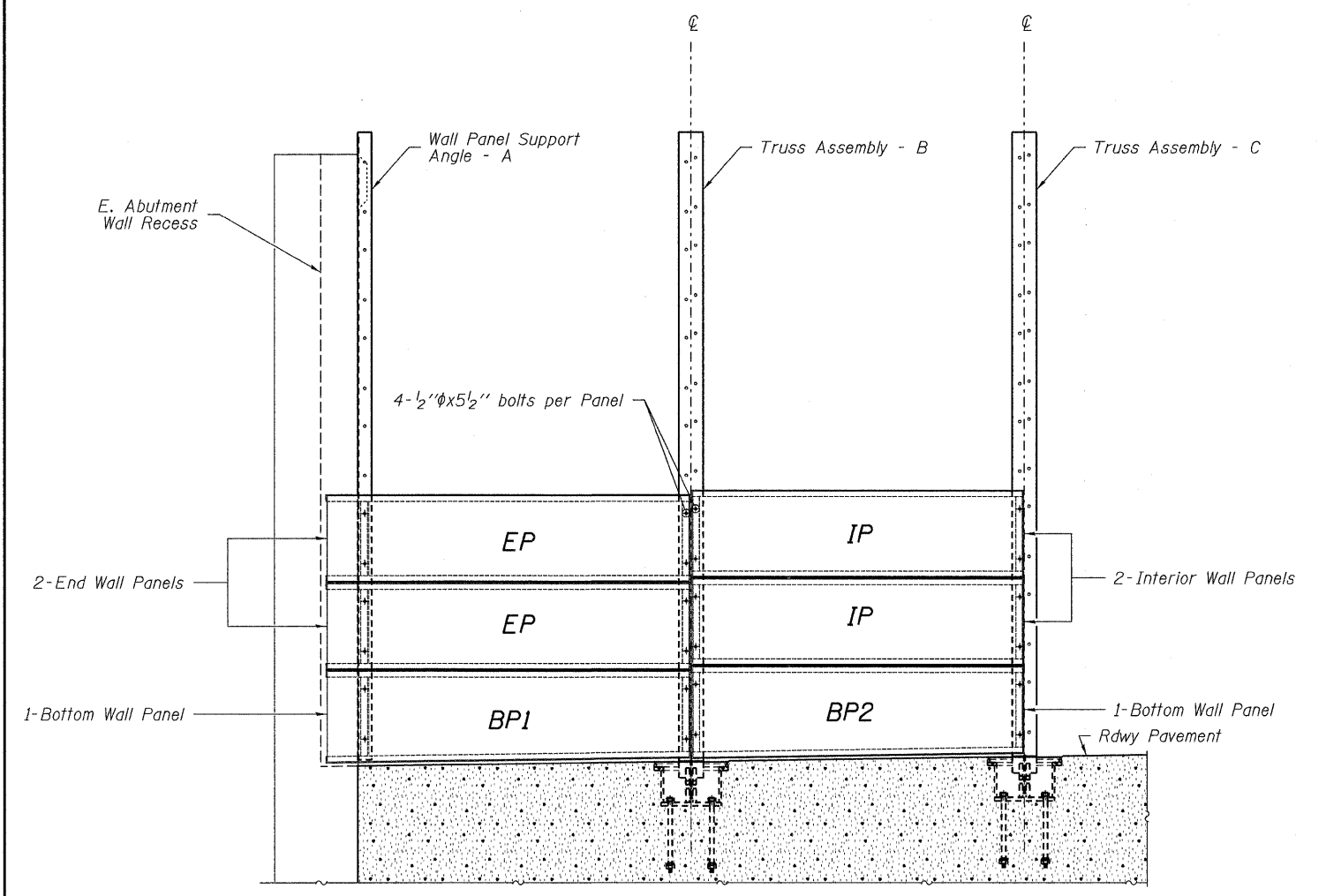
FIGURE E



PLACE TRUSS TRANSVERSE BRACE


DESIGNED - T.P.L.
CHECKED - M.D.C., S.M.S.
DRAWN - P.J.L.
CHECKED - J.L.B.

FIGURE F



ERECT TRUSS ASSEMBLY - C & 3 - WALL PANELS

ASSEMBLY INSTRUCTIONS
TRUSS ASSEMBLY PLAN
MOVABLE LEVEE CLOSURE STRUCTURE

HAMPTON, LENZINI & RENWICK, INC. CIVIL & STRUCTURAL ENGINEERS LAND SURVEYORS  3085 STEVENSON DRIVE, SUITE 201 SPRINGFIELD, ILLINOIS 62703 (217) 546-3400	SHEET NO. 4 8 SHEETS	FAP	SECTION	COUNTY	TOTAL SHEETS	SHEET NO.	
		869	(105)RS-2	SALINE	82	53	
		IL-34 HARRISBURG			CONTRACT NO. 78079		
PROJECT NUMBER: 08.0214.130		DATE: 10/01/09		FED. ROAD DIST. NO.		ILLINOIS	FED. AID PROJECT