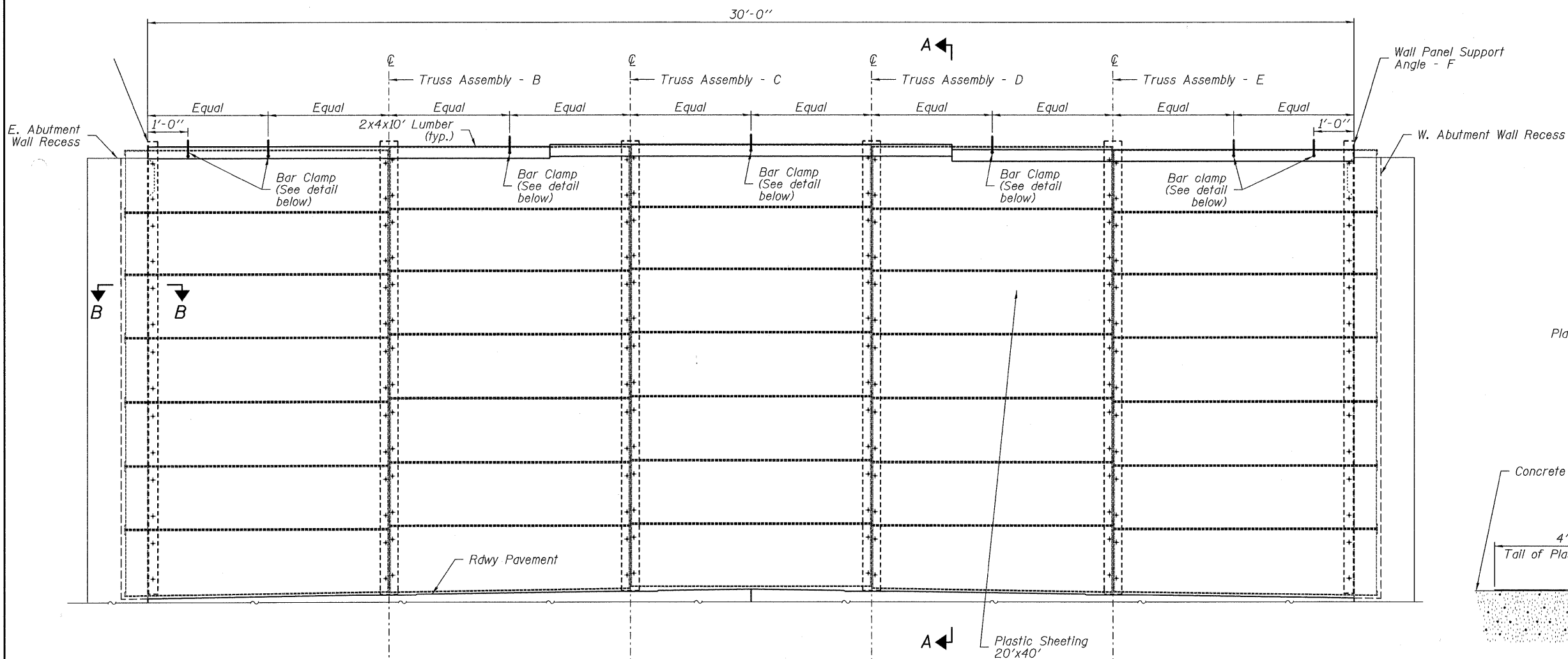
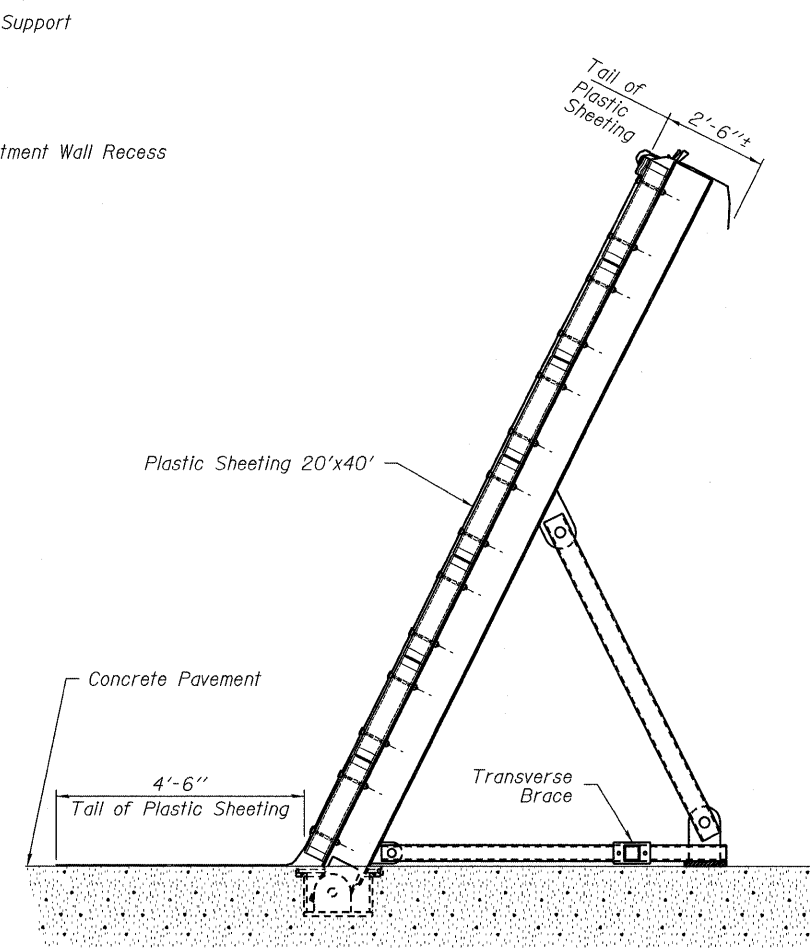


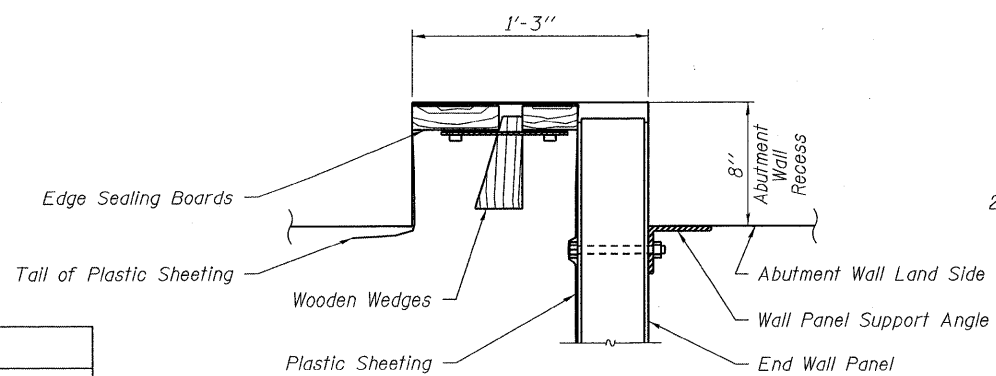
**FIGURE I**



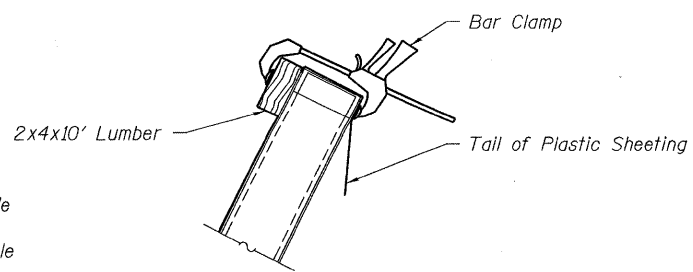
**FULLY ERECT TRUSS ASSEMBLY & PANELS**  
(Figure I-1)



**SECTION A-A**  
(Figure I-2)



**SECTION B-B**  
(Figure I-3)



**BAR CLAMPING DETAIL**  
(Figure I-4)

DESIGNED - T.P.L.
CHECKED - M.D.C., S.M.S.
DRAWN - P.J.L.
CHECKED - J.L.B.

**ASSEMBLY INSTRUCTIONS  
TRUSS ASSEMBLY PLAN  
MOVABLE LEVEE CLOSURE STRUCTURE**

<b>HAMPTON, LENZINI &amp; RENWICK, INC.</b> CIVIL & STRUCTURAL ENGINEERS LAND SURVEYORS <b>HLR</b> 3085 STEVENSON DRIVE, SUITE 201 SPRINGFIELD, ILLINOIS 62703 (217) 546-3400 PROJECT NUMBER: 08.0214.130    DATE: 10/01/09	SHEET NO. 7	FAP	SECTION	COUNTY	TOTAL SHEETS	SHEET NO.
	8 SHEETS	869	(105)RS-2	SALINE	82	56
		IL-34 HARRISBURG	CONTRACT NO. 78079			
		FED. ROAD DIST. NO.	ILLINOIS	FED. AID PROJECT		