

**BENCHMARK:**

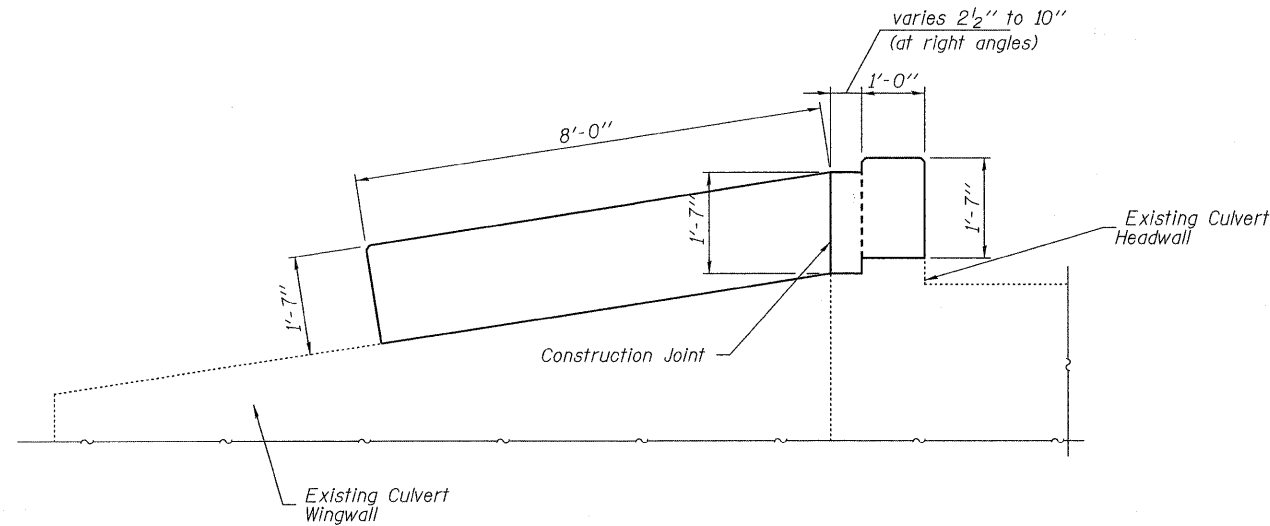
EXISTING CULVERT: Located at Sta. 1633+66.30, built in 1940.  
The culvert headwalls and wingwalls will be modified at both ends.  
East end of culvert shown below, west end similar.

No Salvage.

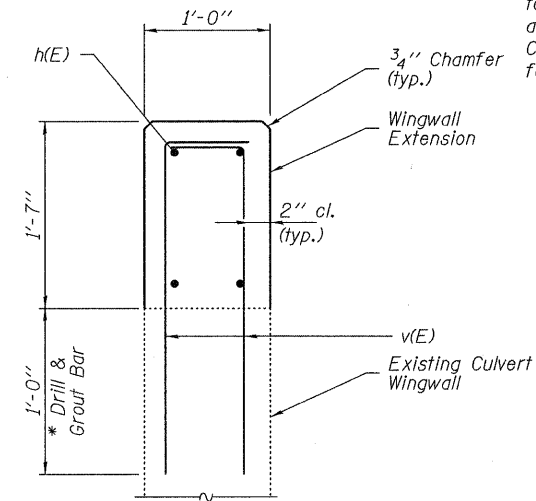
**GENERAL NOTES**

Reinforcement bars shall conform to the requirements of ASTM A 706 Gr 60. See Special Provisions.

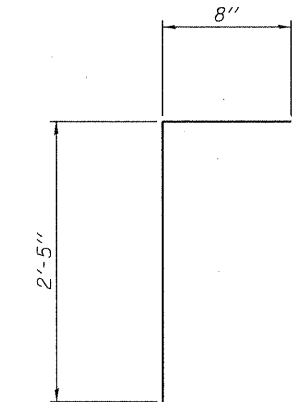
Reinforcement bars designated (E) shall be epoxy coated.  
Plan dimensions and details relative to existing plans are subject to nominal construction variations. The Contractor shall field verify existing dimensions and details affecting new construction and make necessary approved adjustments prior to construction or ordering of materials. Such variations shall not be cause for additional compensation for a change in scope of the work, however, the Contractor will be paid for the quantity actually furnished at the unit price bid for the work.



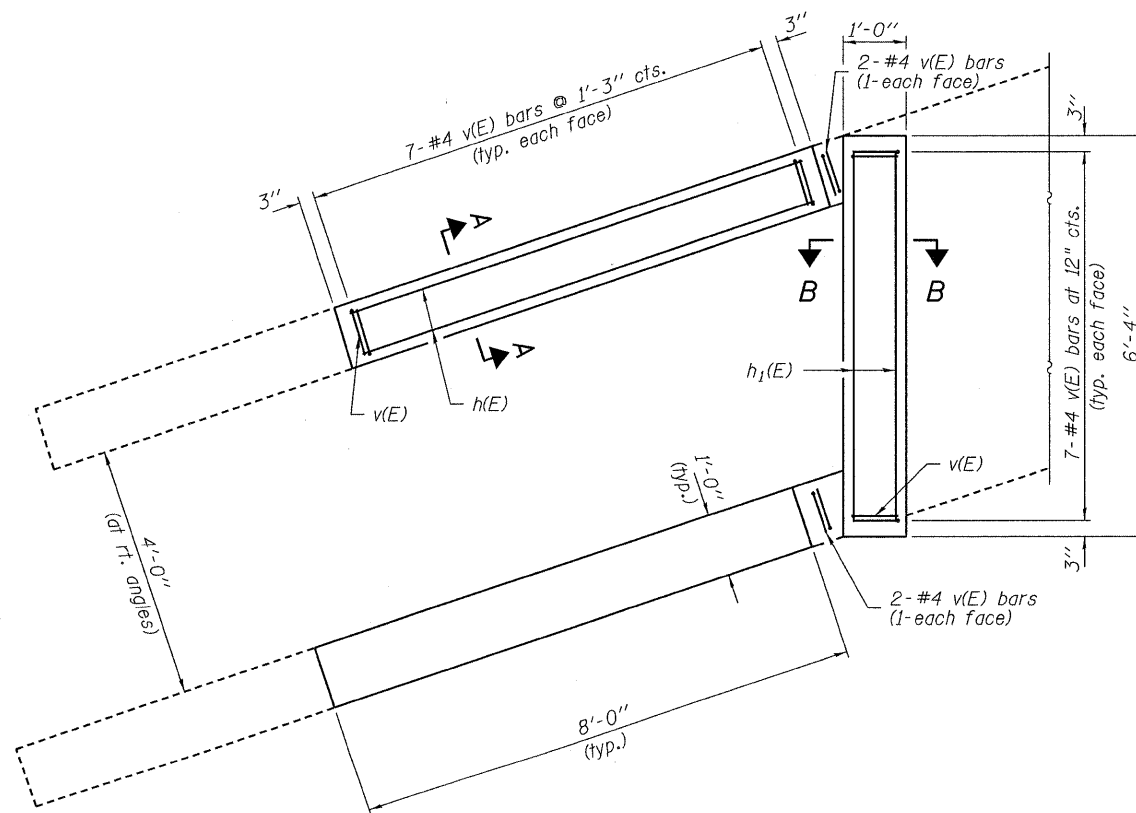
**ELEVATION-EAST CULVERT END**  
(West Culvert End Similar)



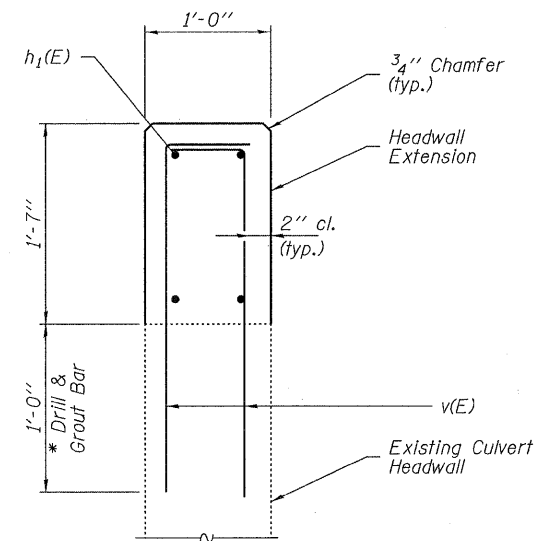
**SECTION A-A**  
(Typical both wings both ends of culvert)



**BAR v(E)**



**PLAN-EAST CULVERT END**  
(West Culvert End Similar)



**SECTION B-B**

**BILL OF MATERIAL - CULVERT**

BAR	NO.	SIZE	LENGTH	SHAPE
h(E)	16	#4	7'-7"	—
h <sub>1</sub> (E)	8	#4	6'-0"	—
v(E)	92	#4	3'-1"	┌
Concrete Box Culverts			Cu. Yd.	3.0
Reinforcement Bars, Epoxy Coated			Pound	300

Note:  
\* Cost of drilling and grouting bars in existing culvert included with contract unit price for "Reinforcing Bars, Epoxy Coated".

**CULVERT HEADWALL MODIFICATIONS**  
**STA. 1633+66.30**

DESIGNED - T.P.L.
CHECKED - M.D.C.
DRAWN - P.J.L.
CHECKED - J.L.B.

<b>HAMPTON, LENZINI &amp; RENWICK, INC.</b> CIVIL & STRUCTURAL ENGINEERS LAND SURVEYORS 3085 STEVENSON DRIVE, SUITE 201 SPRINGFIELD, ILLINOIS 62703 (217) 546-3400	SHEET NO. 1	FAP	SECTION	COUNTY	TOTAL SHEETS	SHEET NO.
	1 SHEET	869	(105)RS-2	SALINE	82	58
	PROJECT NUMBER: 08.0214.130	DATE: 10/01/09	IL-34 HARRISBURG		CONTRACT NO. 78079	
		FED. ROAD DIST. NO. 9 ILLINOIS FED. AID PROJECT				