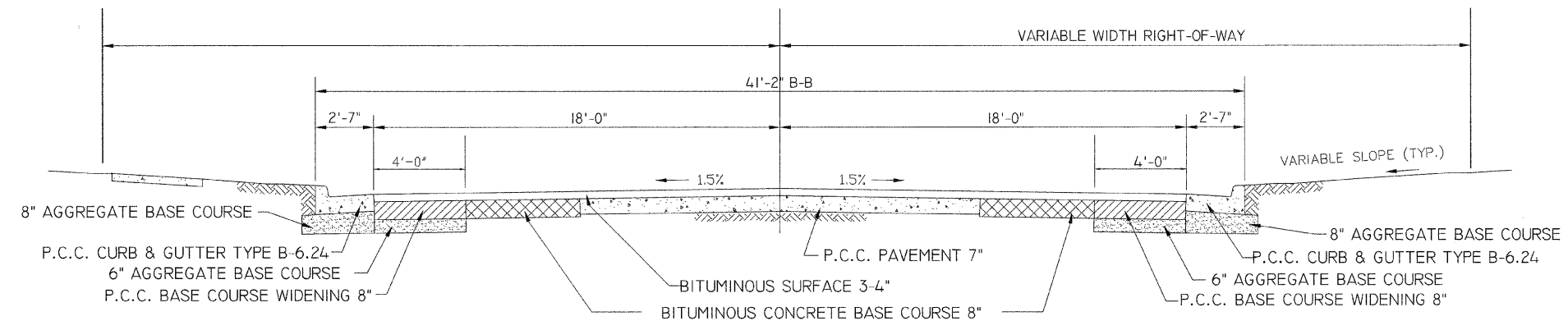
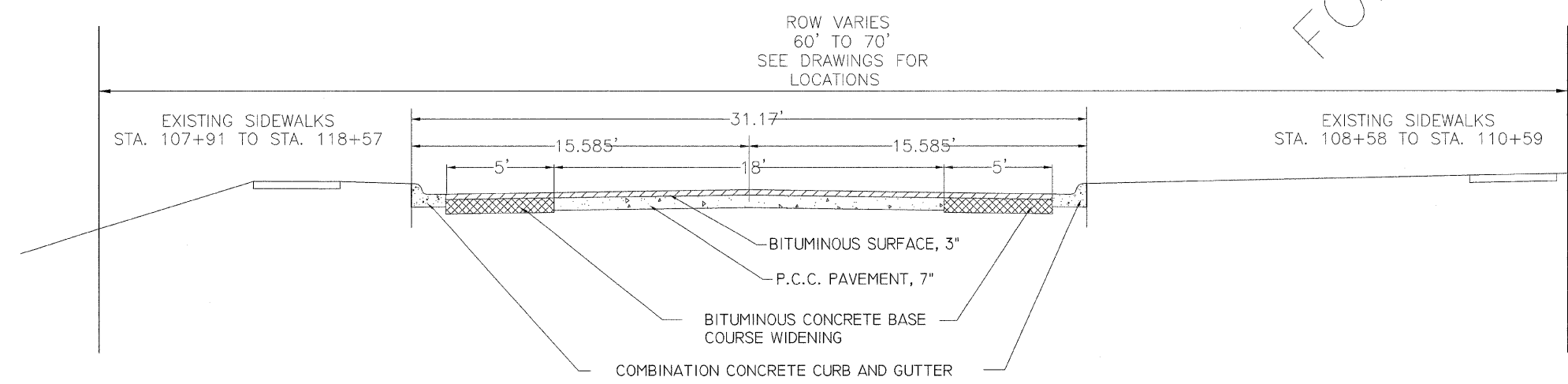


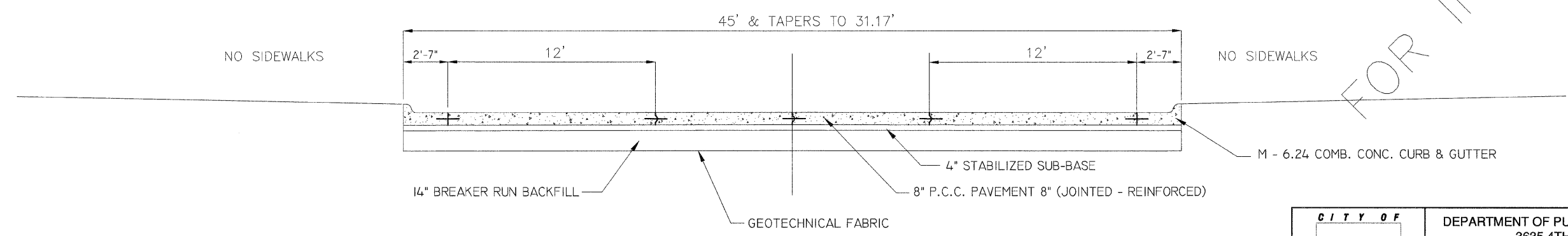
F.A.U. RTE	SECTION	COUNTY	TOTAL SHEETS	SHEET NO.
5827	02-00221-00-RP	ROCK ISLAND		



EXISTING TYPICAL SECTION
STA. 116+70 TO 118+56.83



EXISTING TYPICAL SECTION
STA. 106+31 TO STA. 116+70



EXISTING TYPICAL SECTION
STA. 103+00 TO STA. 106+31

FOR INFORMATION ONLY

	DEPARTMENT OF PUBLIC WORKS / ENG. DIV. (309) 707-0700 3635 4TH AVENUE, MOLINE, IL 61265	
	7TH STREET RECONSTRUCTION & WIDENING 33RD AVE TO SOUTH OF WILDWOOD DRIVE EXISTING TYPICAL SECTIONS	
	DESIGNED: MEF DRAWN: MEF	SHEET: 6 OF 34 PROJECT NO.: MFT221