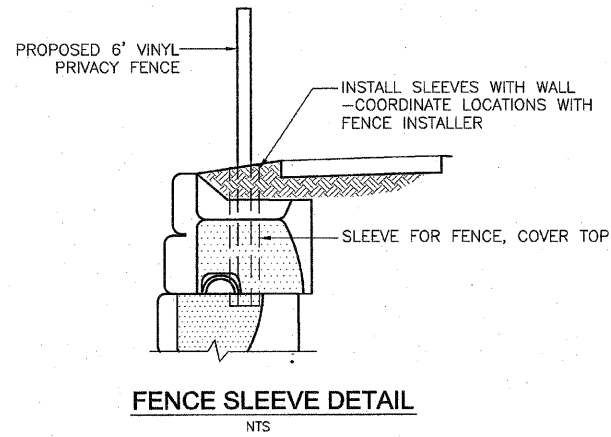
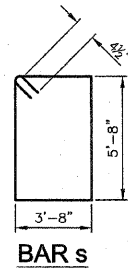


SEQUENCE OF CONSTRUCTION

1. REMOVE EXISTING RETAINING WALL AS SHOWN ON PLANS.
2. SHORE UP THE EXISTING 2'X2' RCB AS REQUIRED.
3. SAW-CUT THE EXISTING 2'X2' RCB AS SHOWN ON PLANS.
4. POUR THE LEVELING PAD FOR THE PROPOSED RETAINING WALL.
5. FORM AND POUR THE CONCRETE COLLAR AS SHOWN ON PLANS.
6. PLACE THE MODULAR RETAINING WALL UNITS STARTING AT COLLAR, AND WORKING OUT.

BILL OF MATERIAL

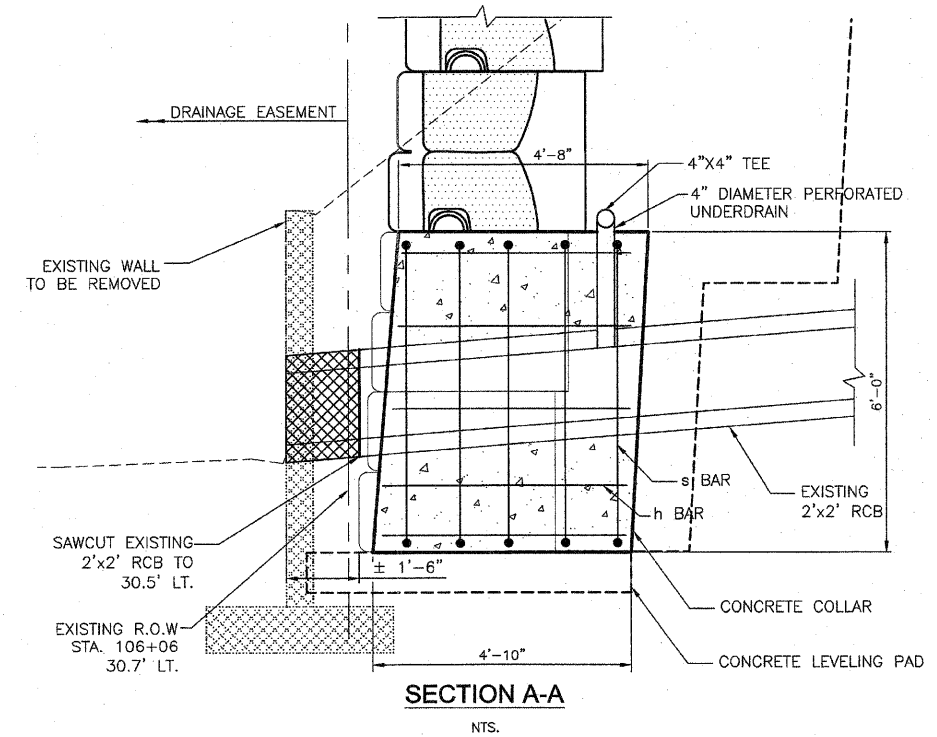
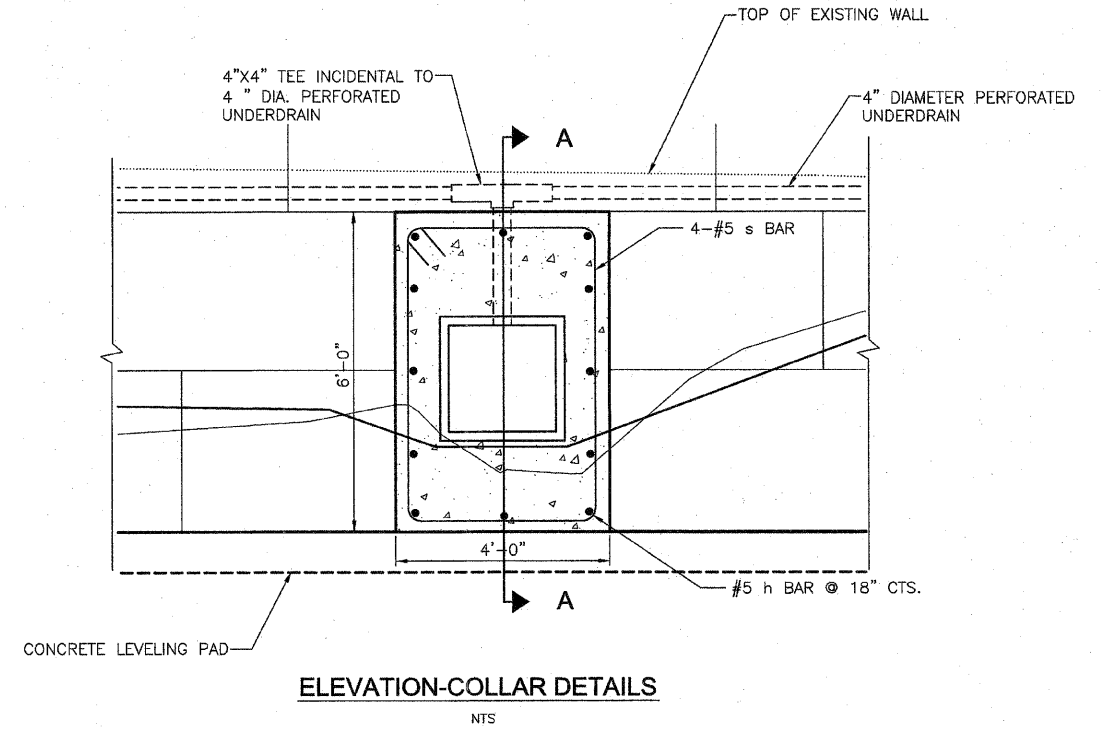
BAR	NO.	SIZE	LENGTH	SHAPE
h	12	#5	4'-5"	—
s	5	#5	19'-5"	□
CONCRETE COLLAR			CU. YD.	4.0
REINFORCEMENT BARS			POUND	160
BOX CULVERT REMOVAL			FOOT	2.0



A08X010



John B. Fellman
5-12-2009



CITY OF MOLINE
DEPARTMENT OF PUBLIC WORKS - ENGINEERING DIVISION
3635 4TH AVENUE, MOLINE, IL 61265
(309) 797-0700
CITY ENGINEER - SCOTT HINTON, P.E.

DETAILS
PRECAST MODULAR RETAINING WALL

Date	Revision

Date	Sheet
5/12/2009	19 of 34
Scale	DESIGNER
AS NOTED	JBF
MFT PROJ. #	