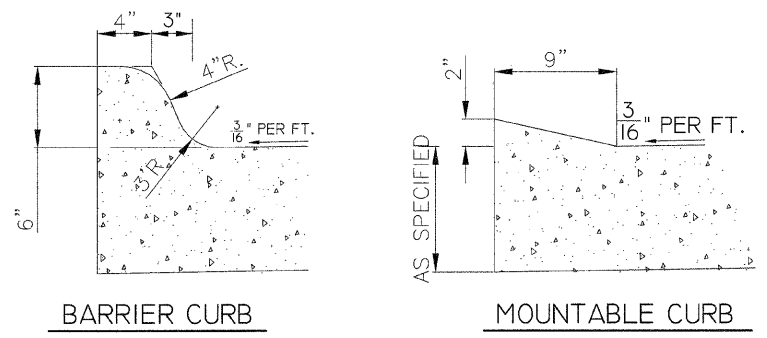
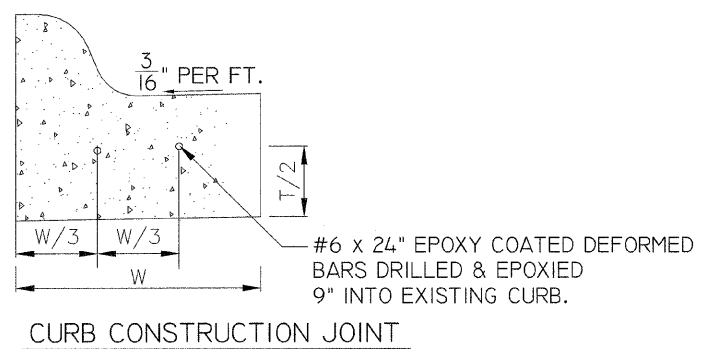


F.A.U. RTE	SECTION	COUNTY	TOTAL SHEETS	SHEET NO.
5827	02-00221-00-RP	ROCK ISLAND		

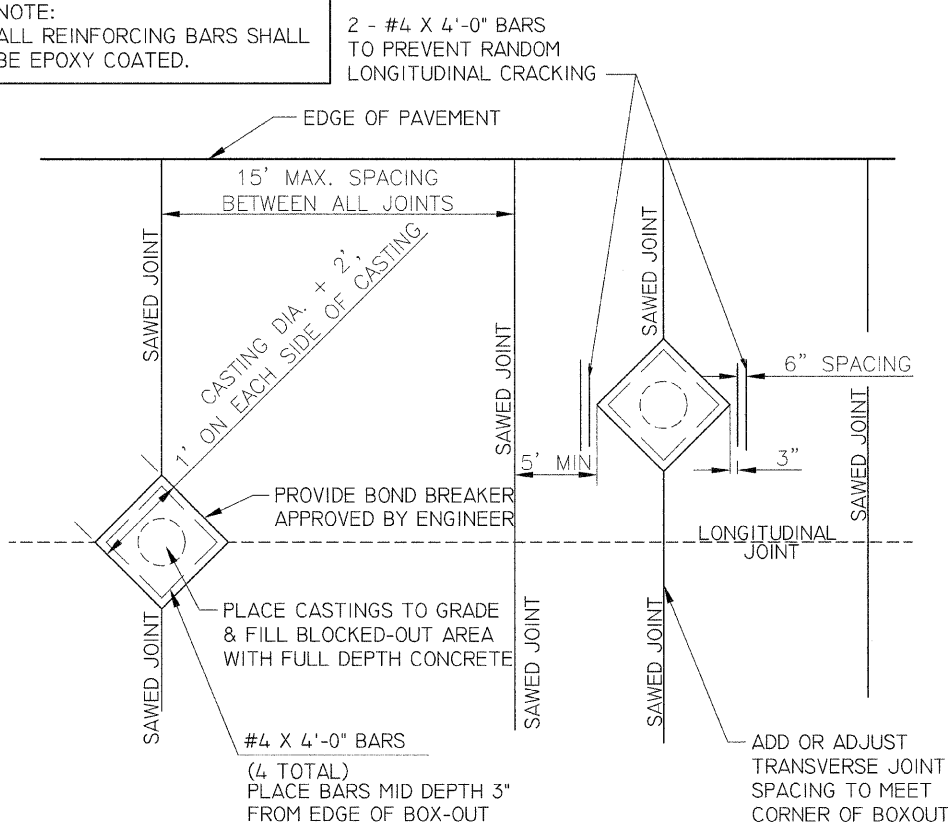


NOTE:
 ALL HONEYCOMBED AND OR POROUS AREAS IN BACK OF CURB WILL BE CORRECTED AS DIRECTED BY THE ENGINEER.

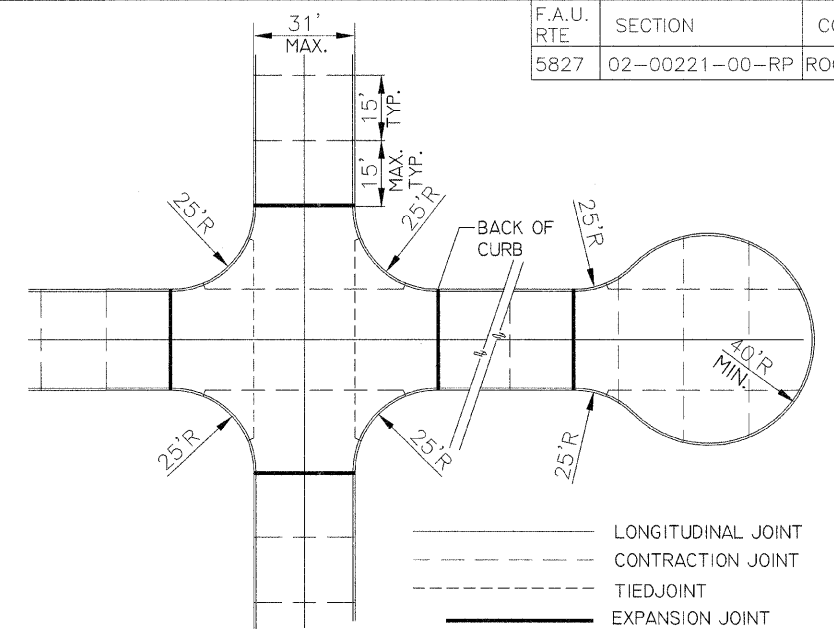


INTEGRAL CURB DETAIL
 DATE 12/05 CITY OF MOLINE STANDARD #2

NOTE:
 ALL REINFORCING BARS SHALL BE EPOXY COATED.

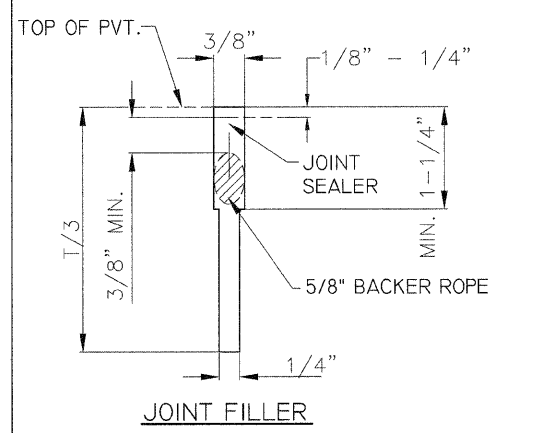


MANHOLE BOX OUT DETAIL
 DATE 1/07 CITY OF MOLINE STANDARD #3



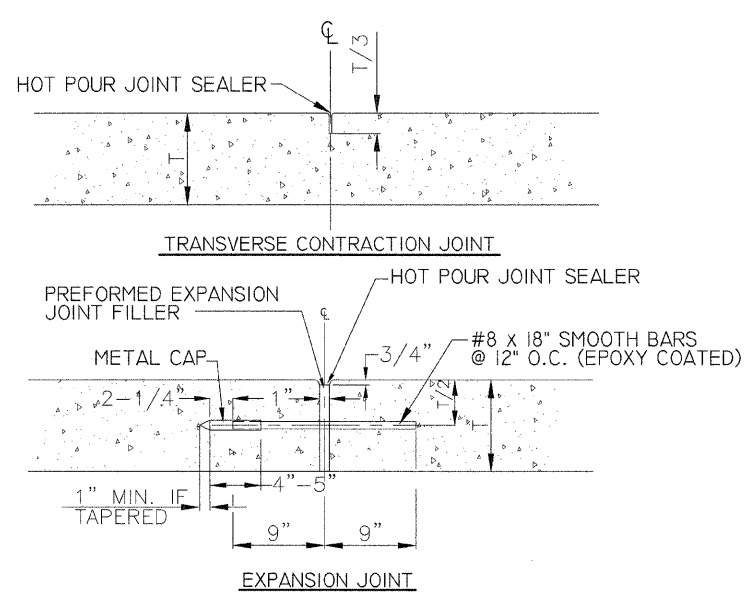
NOTE:
 ADDITIONAL EXPANSION JOINTS TO BE PLACED AT MAX. 400' SPACING, INCIDENTAL TO PAVEMENT CONSTRUCTION.
 ALL REINFORCING BARS SHALL BE EPOXY COATED.

JOINT TYPE & LAYOUT DETAIL
 DATE 2/05 CITY OF MOLINE STANDARD #4

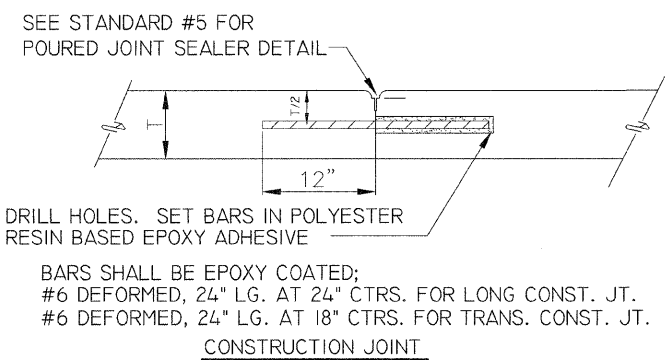


- AFTER SAWING FLUSH JOINT WITH WATER OR AIR.
- CLEAN BY SAND BLASTING UNTIL SURFACES ARE FREE OF SAWCUTTING FINES
- JUST PRIOR TO INSTALLATION OF BACKER ROPE, BLOW WITH OIL AND WATER FREE COMPRESSED AIR TO ELIMINATE SAND AND WATER.

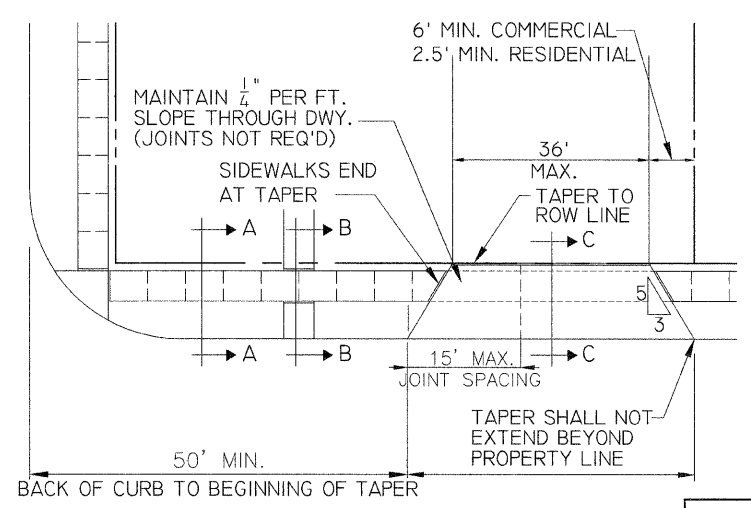
NOTES:
 HOLES SHALL BE DRILLED IN PREFORMED EXPANSION JOINT FILLER.
 NO SLOTS OR GAPS WILL BE ALLOWED.
 DOWEL BARS SHALL BE GREASED TO THE SATISFACTION OF THE ENGINEER.



CONSTRUCTION JOINT & EXPANSION JOINT DETAIL
 DATE 12/05 CITY OF MOLINE STANDARD #5



LONGITUDINAL JOINT & TRANSVERSE JOINT DETAIL
 DATE 12/05 CITY OF MOLINE STANDARD #6



RESIDENTIAL/COMMERCIAL DRIVEWAY & SIDEWALK DETAILS
 DATE 1/04 CITY OF MOLINE STANDARD #7



DEPARTMENT OF PUBLIC WORKS / ENG. DIV. (309) 707-0700
 3635 4TH AVENUE, MOLINE, IL 61265
 7TH STREET RECONSTRUCTION & WIDENING
 33RD AVE TO SOUTH OF WILDWOOD DRIVE
 DETAILS
 DESIGNED MEF SHEET 21 OF 34
 DRAWN MEF PROJECT No. MFT221