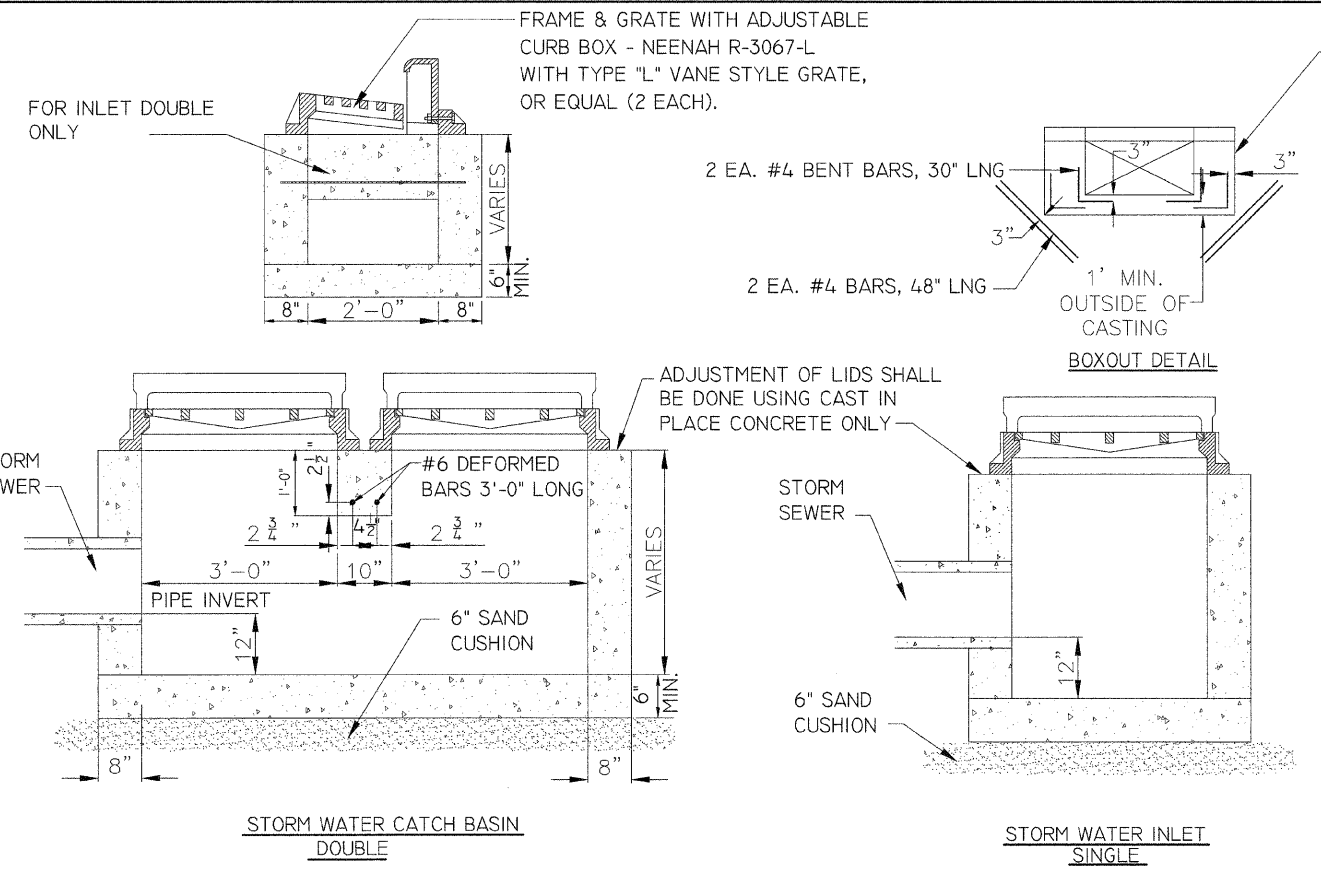


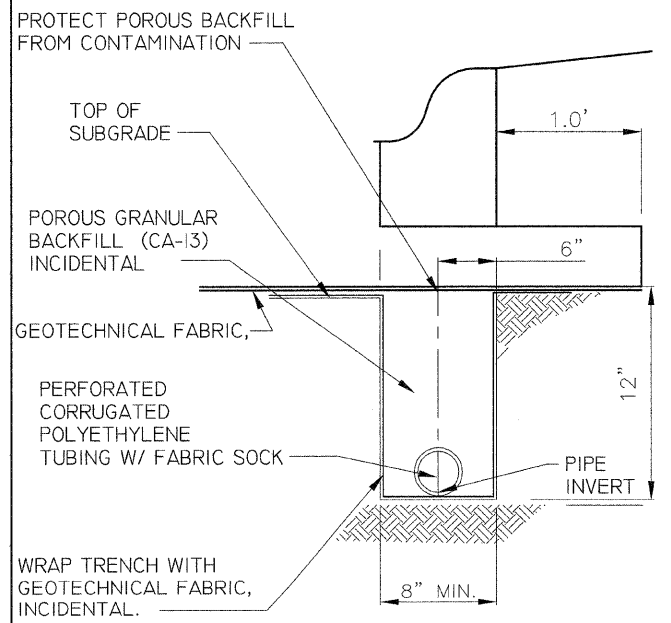
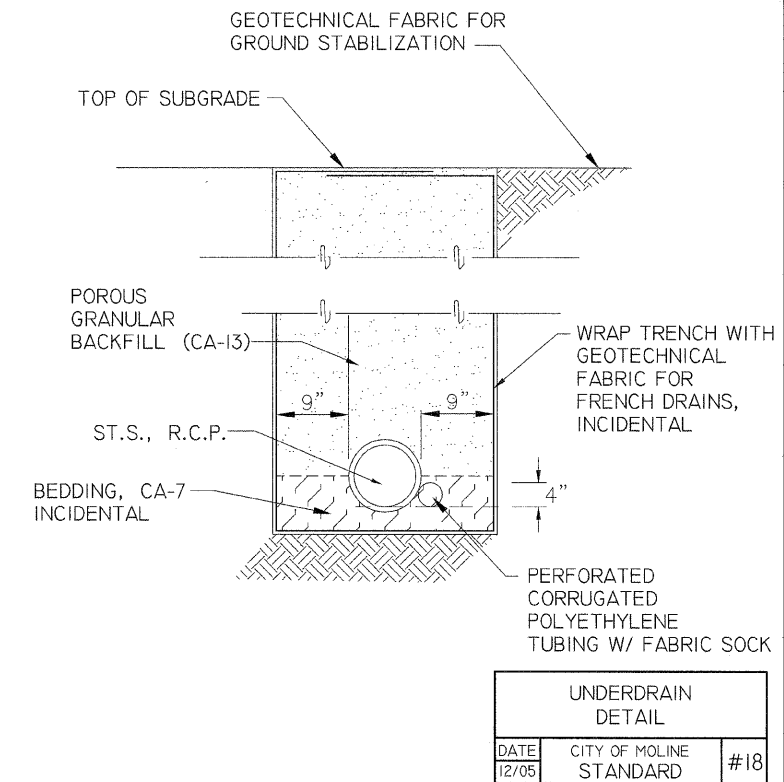
F.A.U. RTE	SECTION	COUNTY	TOTAL SHEETS	SHEET NO.
5827	02-00221-00-RP	ROCK ISLAND		



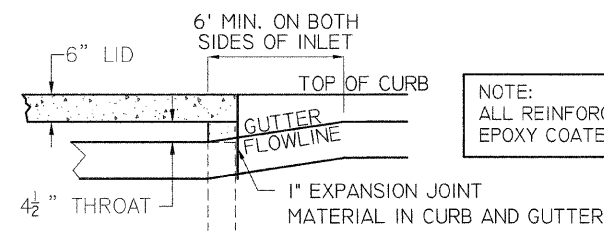
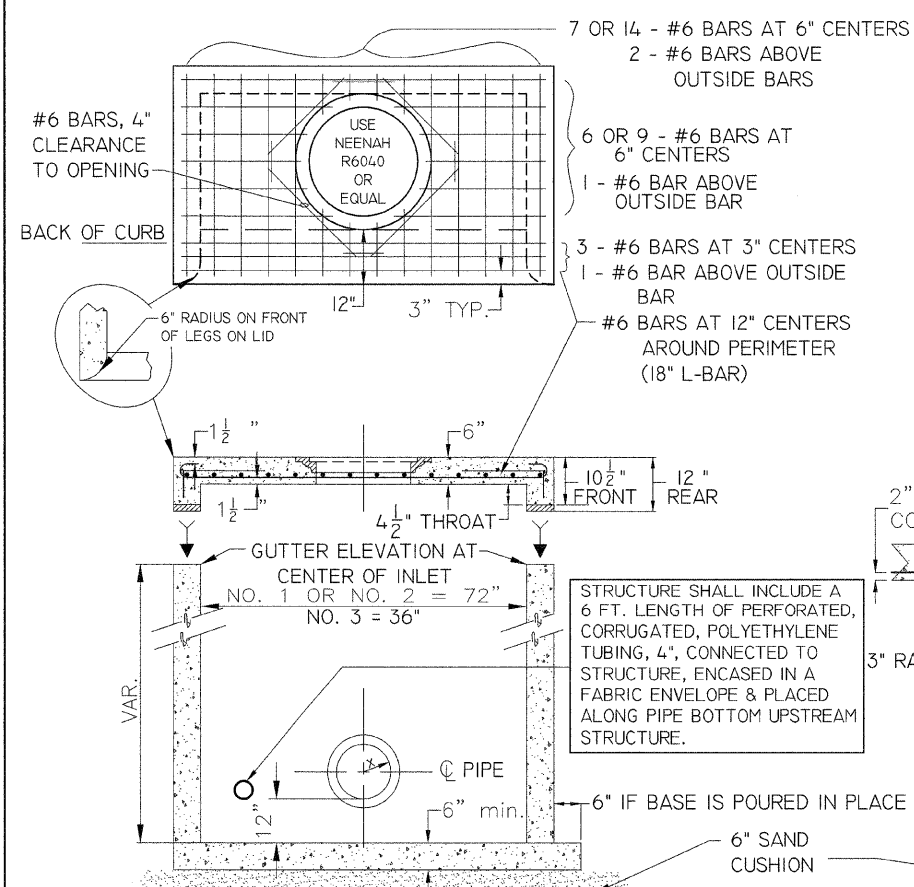
STRUCTURE SHALL INCLUDE A 6 FT. LENGTH OF PERFORATED, CORRUGATED, POLYETHYLENE TUBING, 4", CONNECTED TO STRUCTURE, ENCASED IN A FABRIC ENVELOPE & PLACED "ALONG PIPE BOTTOM" UPSTREAM OF STRUCTURE.

NOTES:  
 NO PART OF PIPE SHALL BE PLACED WITHIN 9 INCHES OF THE C OF BEAMS  
 2 L.F. OF CURB AND GUTTER (EACH SIDE) SHALL BE INCLUDED AS PART OF INLET CONSTRUCTION AND ADJUSTMENT IF NOT WITHIN NEW PVT. CONSTRUCTION.  
 ALL REINFORCING BARS SHALL BE EPOXY COATED.

CATCH BASIN SINGLE/DOUBLE DETAIL		
DATE	CITY OF MOLINE STANDARD	#14
12/05		

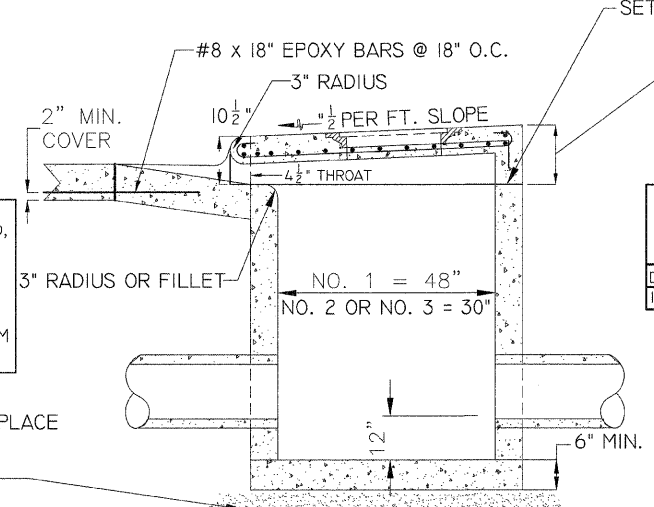


PIPE UNDERDRAIN DETAIL		
DATE	CITY OF MOLINE STANDARD	#18A
12/05		

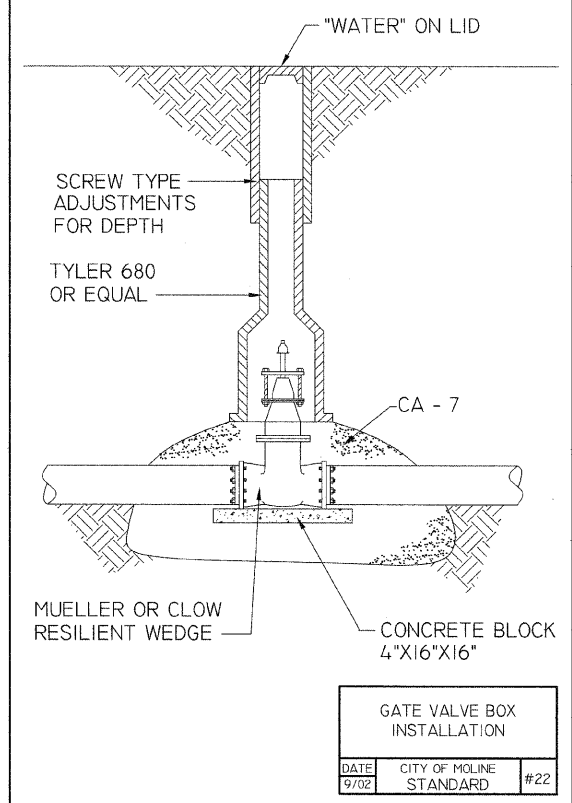


NOTE: ALL REINFORCING BARS SHALL BE EPOXY COATED.

NOTE: THE CONTRACT UNIT PRICE EACH FOR "CATCH BASIN SPECIAL" SHALL INCLUDE THE COST OF FURNISHING AND INSTALLING THE FRAME, LID, REINFORCING BARS, AND THE MODIFICATIONS TO CURB & GUTTER. CURB & GUTTER WILL BE PAID FOR SEPARATELY ONLY IF ASSOCIATED WITH PVT REPLACEMENT.



CATCH BASIN SPECIAL NO. 1, 2 OR 3		
DATE	CITY OF MOLINE STANDARD	#15
12/05		



DEPARTMENT OF PUBLIC WORKS / ENG. DIV. (309) 707-0700  
 3635 4TH AVENUE, MOLINE, IL 61265  
 7TH STREET RECONSTRUCTION & WIDENING  
 33RD AVE TO SOUTH OF WILDWOOD DRIVE  
 DETAILS

DESIGNED MEF SHEET 23 OF 34  
 DRAWN MEF PROJECT No. MFT221