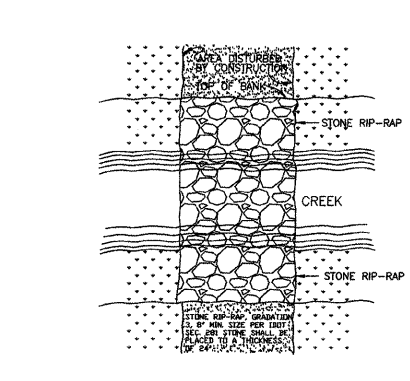
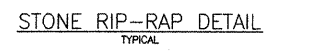


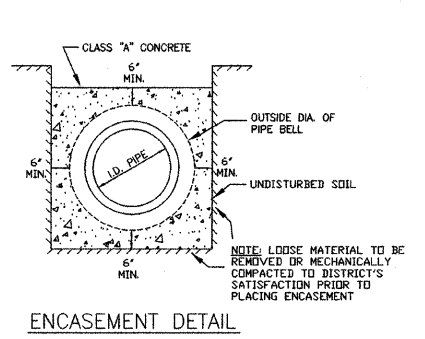
CLAY, RCP & DIP PIPE BEDDING DETAIL



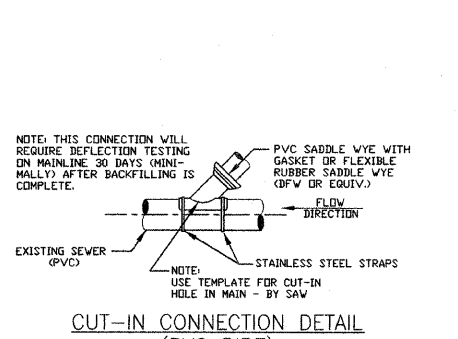
PVC PIPE BEDDING DETAIL



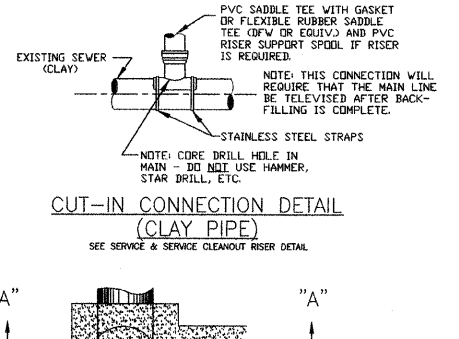
STONE RIP-RAP DETAIL



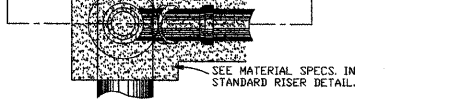
ENCASEMENT DETAIL



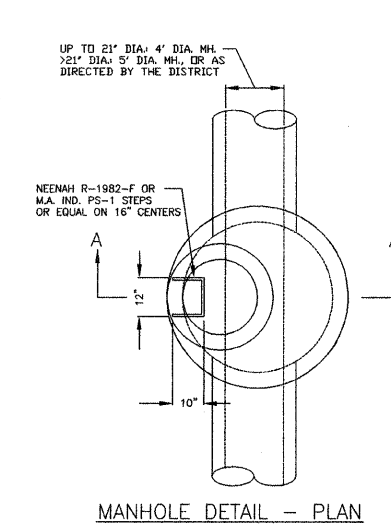
CUT-IN CONNECTION DETAIL (CLAY PIPE)



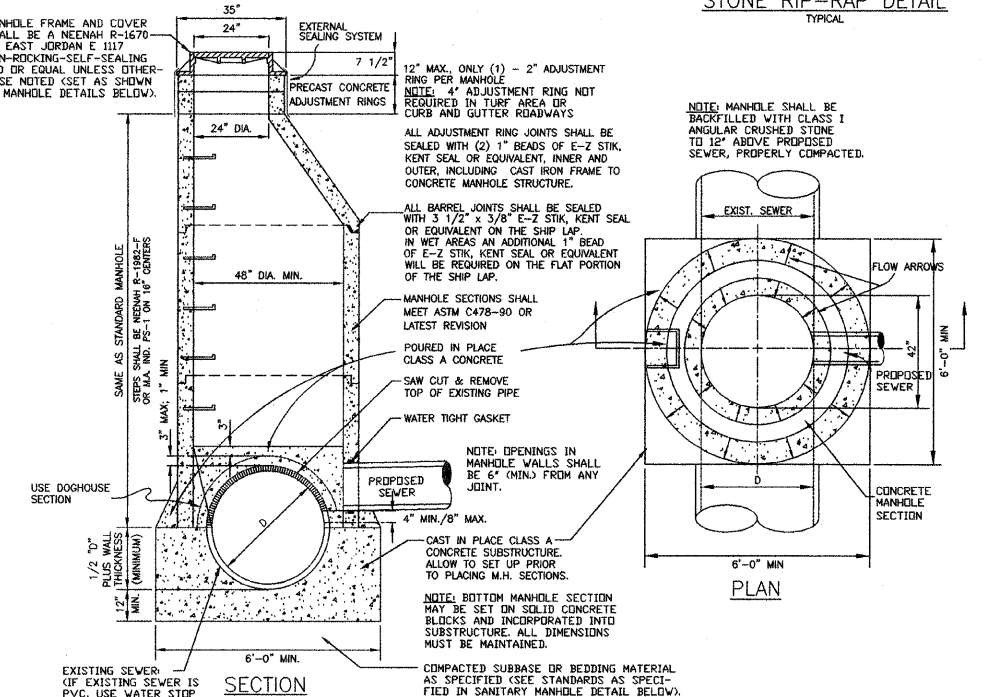
CUT-IN CONNECTION DETAIL (PVC PIPE)



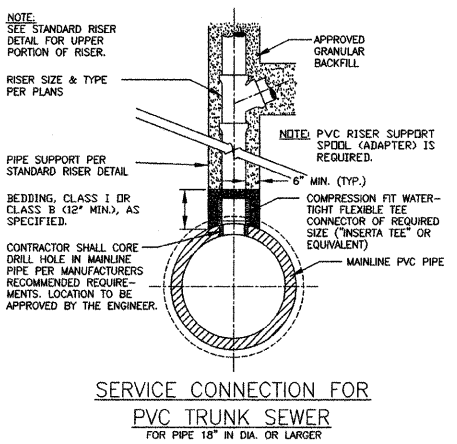
PLAN VIEW (RISER DETAIL)



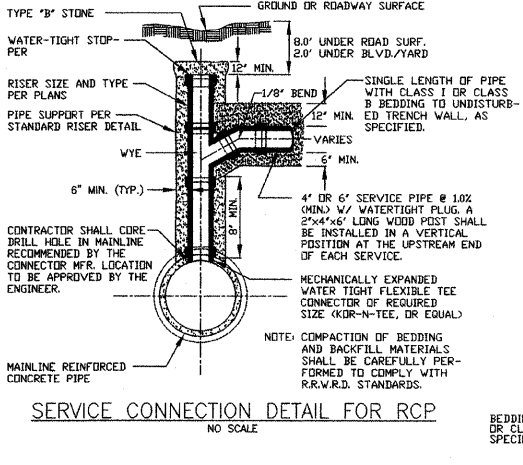
MANHOLE DETAIL - PLAN



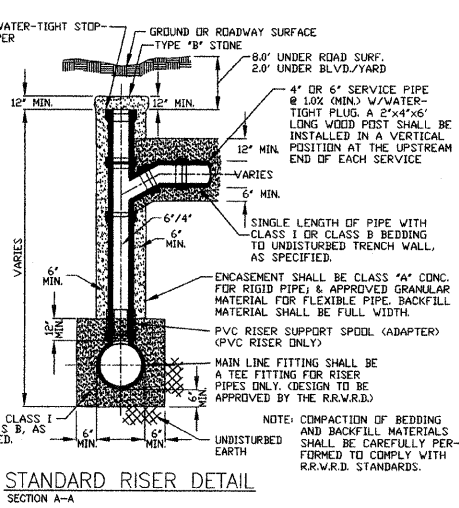
MANHOLE CONSTRUCTED OVER EXISTING SEWER



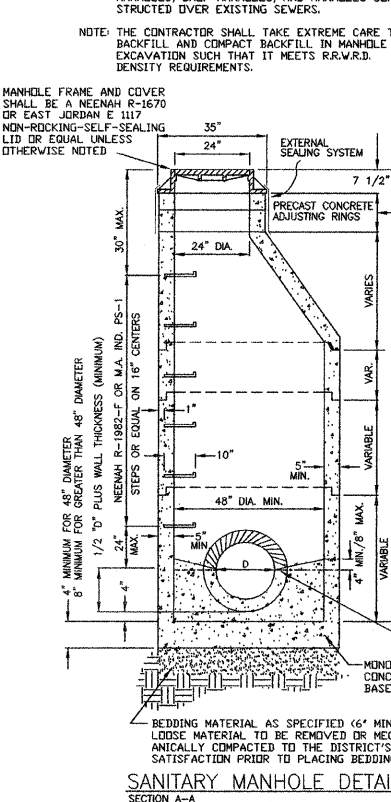
SERVICE CONNECTION FOR PVC TRUNK SEWER



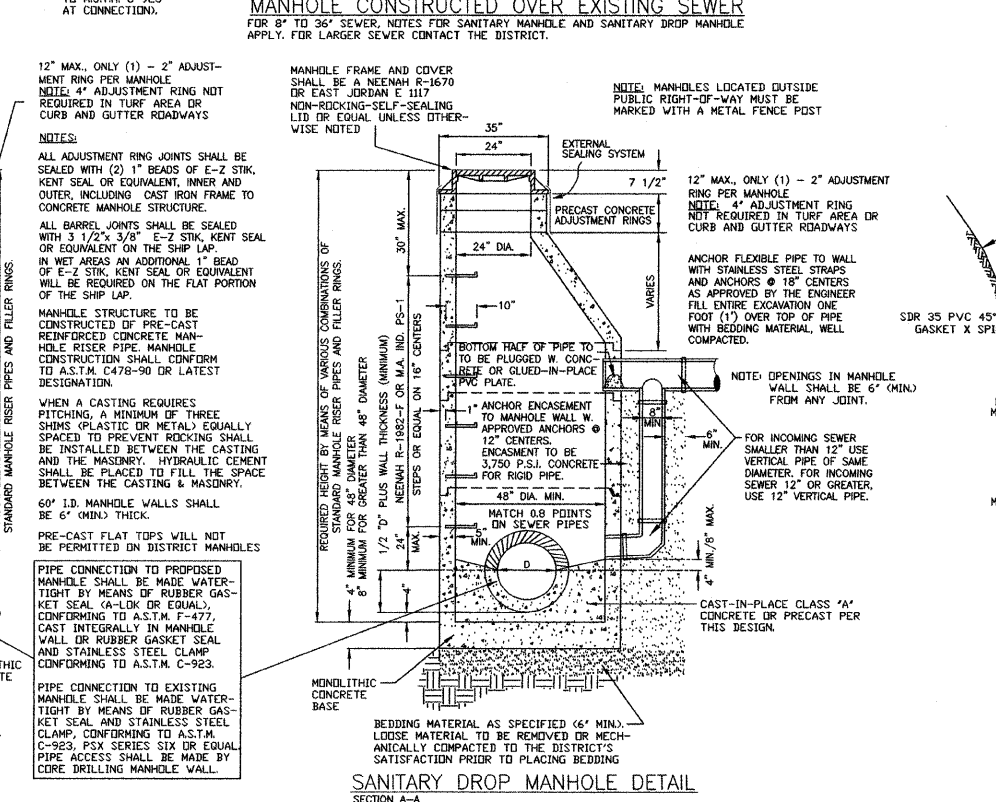
SERVICE CONNECTION DETAIL FOR RCP



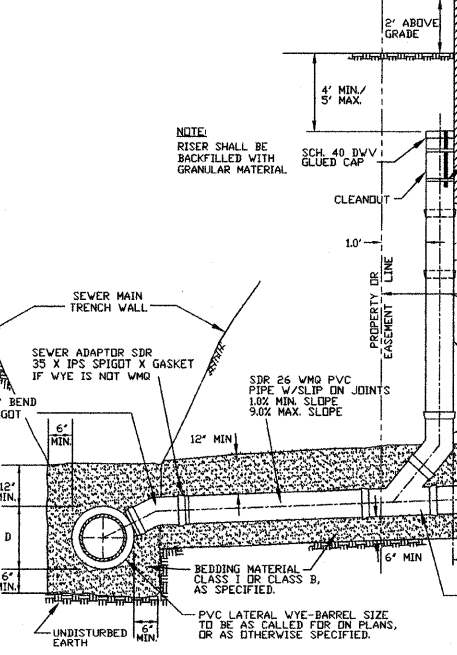
STANDARD RISER DETAIL



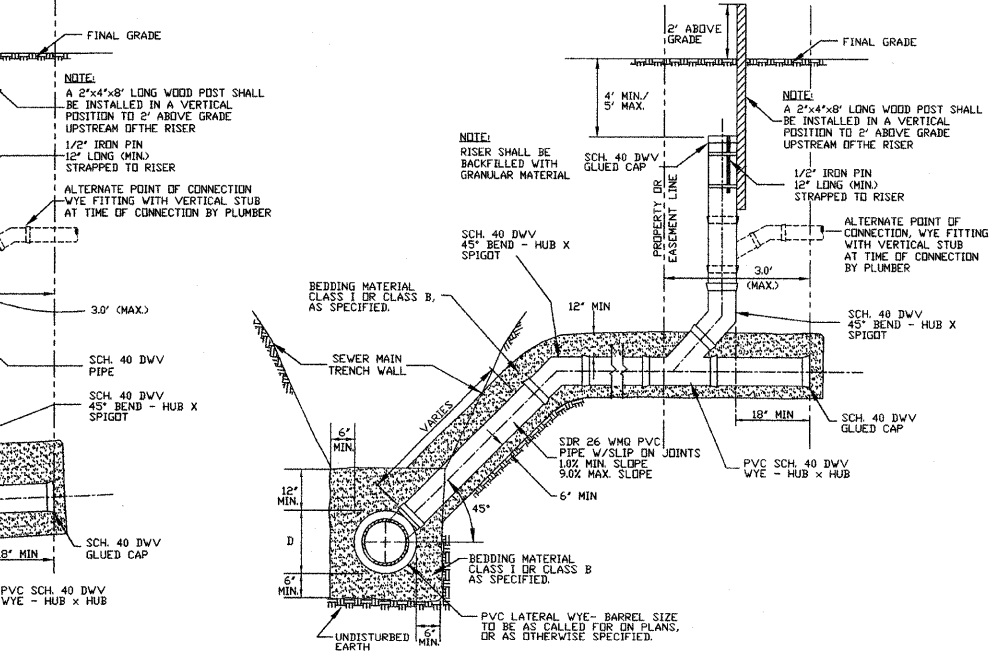
SANITARY MANHOLE DETAIL SECTION A-A



SANITARY DROP MANHOLE DETAIL SECTION A-A



SERVICE & SERVICE CLEANOUT RISER



ALTERNATE SERVICE RISER DETAIL (WITH SERVICE CLEANOUT)

ROCK RIVER WATER RECLAMATION DISTRICT
 3333 KISHWAUKEE ST., P.O. BOX 7480, ROCKFORD, ILLINOIS 6126-7480 - PH. (815) 387-7660/FAX (815) 387-7665

REV: 1/1/97 PAD	REV: 3/5/00 PAD	REV: 5/14/03 PAD
REV: 2/7/97 PAD	REV: 1/10/01 PAD	REV: 2/2/04 PAD
REV: 3/19/98 PAD	REV: 2/5/02 PAD	

STANDARD DETAIL SHEET

FILE: RRWD.DWG
SHEET 16 OF 28