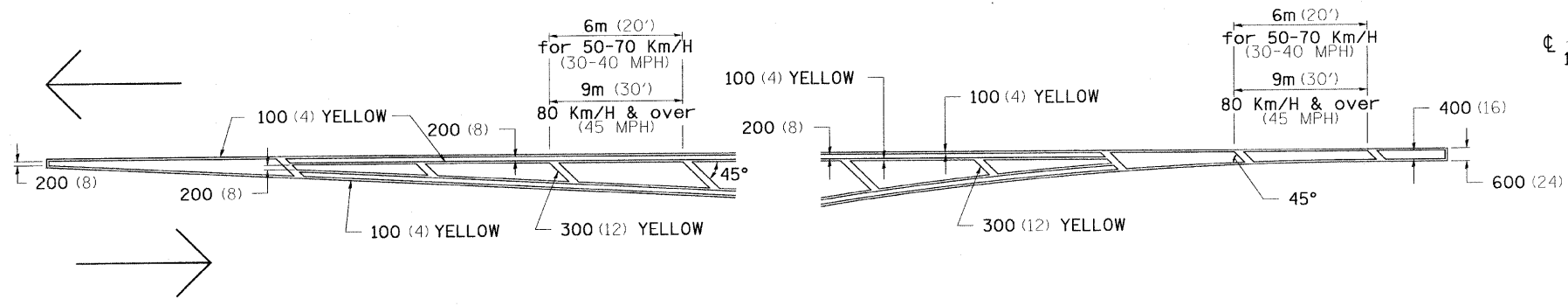
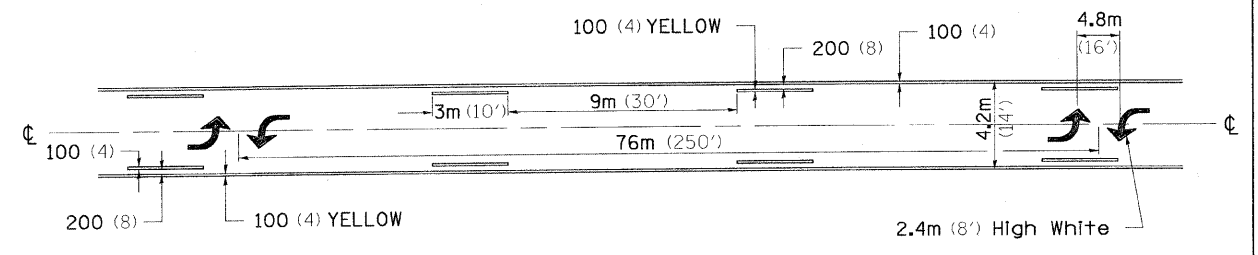


TYPICAL PAVEMENT MARKINGS

TYPICAL PAVEMENT MARKING FOR FLUSH MEDIAN AT LEFT TURN LANE

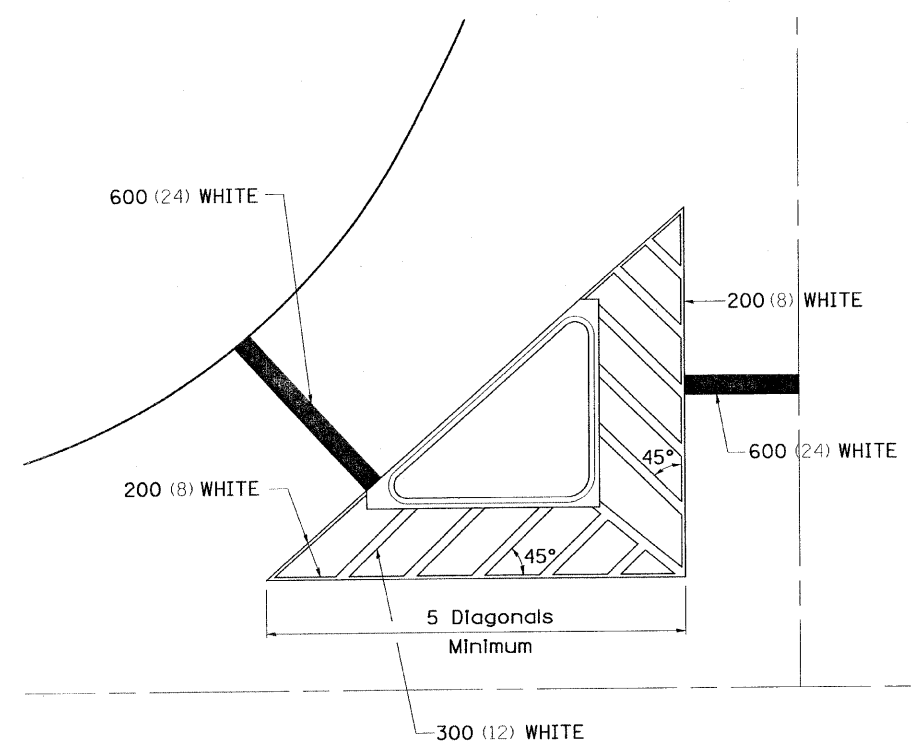


MEDIAN PAVEMENT MARKING

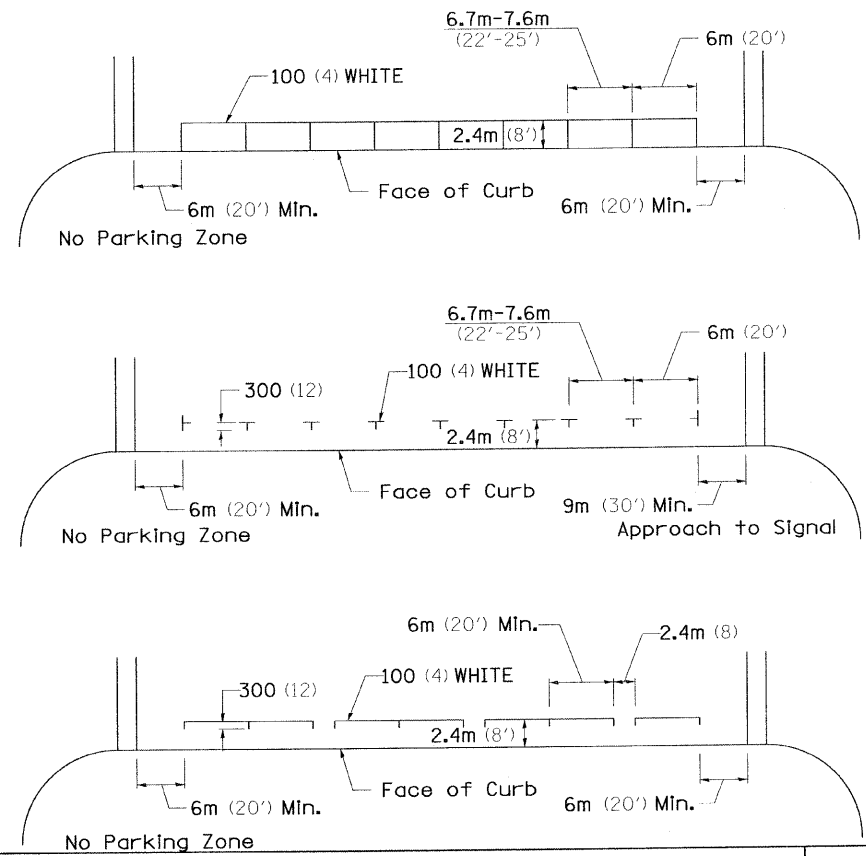


** ALL DIMENSIONS ARE IN MILLIMETERS (INCHES) UNLESS OTHERWISE NOTED.

TYPICAL ISLAND OFFSET SHOULDER WIDTH

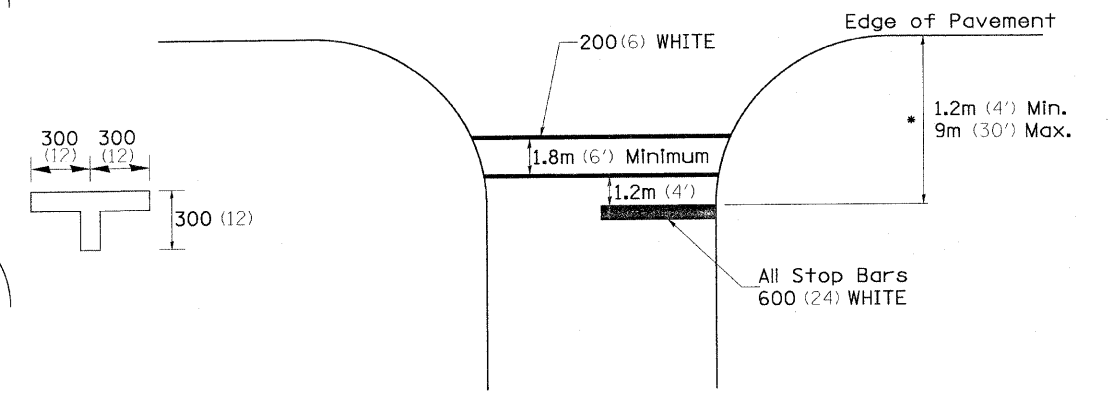


TYPICAL PARKING SPACING



STANDARD CROSSWALK MARKING

See Schedules for Locations



* Distance to the nearest edge of the intersecting roadway in the absence of a marked crosswalk.

FILE NAME: L:\Job\2009\09\1025699\Spec\1025699\15th Ave Final Layout 10.26.09.dgn

WILLET, HOFMANN & ASSOCIATES, INC.
 CONSULTING ENGINEERS
 609 East Second Street, Dixon, IL 61021
 Phone: 815.284.3381 Fax: 815.284.3385
 Design Firm # 184-00818
 www.willett-hofmann.com

DESIGNED - BDF	REVISED -
DRAWN - JQH	REVISED -
CHECKED - BDF	REVISED -
DATE - 10/30/2009	REVISED -

CITY OF ROCK FALLS, ILLINOIS
12TH AVE. - ROCK RIVER BRIDGE to W. 10TH ST.

TYPICAL PAVEMENT MARKINGS, DS 41.1

SCALE: SHEET NO. 1 OF 3 SHEETS

F.A. RTE.	SECTION	COUNTY	TOTAL SHEETS	SHEET NO.
	09-00130-00-RS	WHITESIDE	21	18
FED. ROAD DIST. NO.			ILLINOIS FED. AID PROJECT	
			CONTRACT NO. 85499	