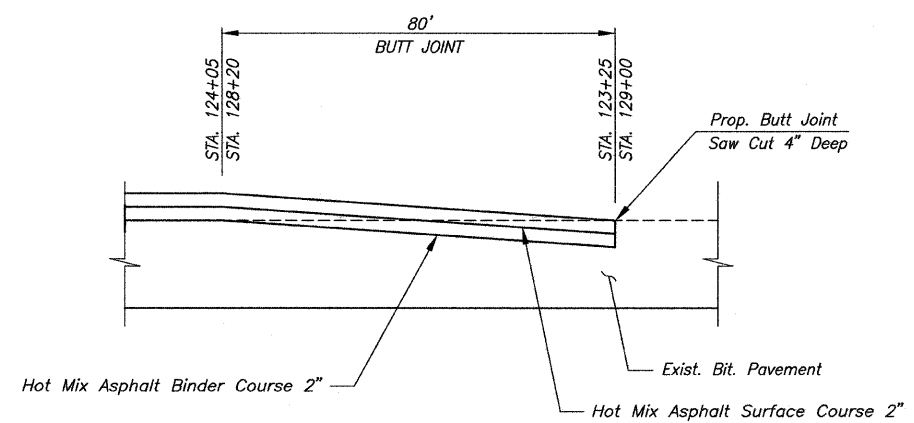


Road Classification: Collector ADT over 2000 ADT
Current ADT 4200

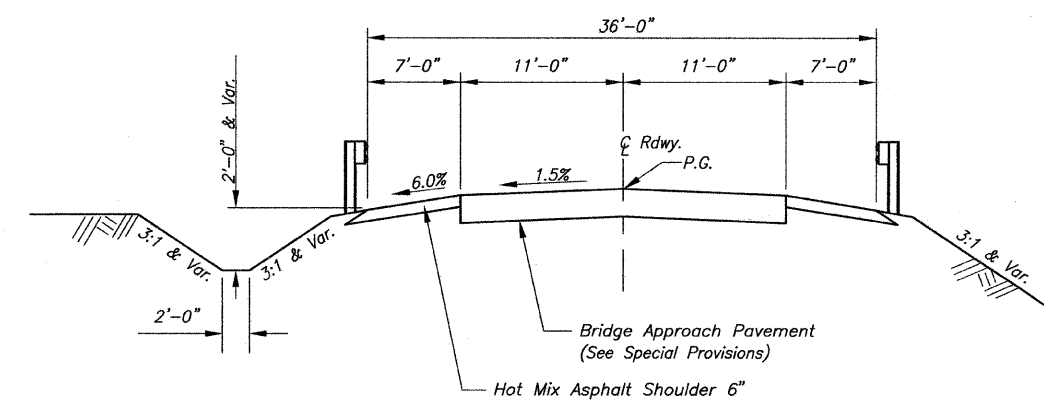
PROPOSED TYPICAL CROSS SECTION

Sta. 123+25 to Sta. 125+01.66 and
Sta. 127+82.33 to Sta. 129+00
*Sta. 124+50 to Sta. 125+01.66 and
Sta. 127+82.33 to Sta. 128+20

Transition from the proposed roadway to the existing roadway to be constructed from Sta. 123+25 to 123+75 and from Sta. 128+50 to 129+00. See sheet 6 for transition at the bridge.



TYPICAL TAPER AT BUTT JOINT



Road Classification: Collector ADT over 2000 ADT
Current ADT 4200

PROPOSED TYPICAL CROSS SECTION

Sta. 125+01.66 to Sta. 125+31.66 and
Sta. 127+52.33 to Sta. 127+82.33
See sheet 6 for transition at the bridge.

APPLICATION RATES USED IN QUANTITY CALCULATIONS

GRANULAR MATERIALS 2.05 TON/CU. YD.
BITUMINOUS MATERIALS (PRIME COAT) 0.10 GALLON/SQ. YD.
HOT MIX ASPHALT (BINDER, SURFACE COURSE AND SHOULDERS) 112 LBS./SQ. YD./INCH

ITEM	BITUMINOUS CONCRETE MIXTURE REQUIREMENTS		VOIDS	DENSITY
	ASPHALT GRADE	COMPOSITION		
HOT MIX ASPHALT BASE CSE.	PG 64-22	IL 19.0	4.0% @ N50	CORES
HOT MIX ASPHALT BINDER CSE. IL 19.0, N50	PG 64-22	IL 19.0	4.0% @ N50	CORES
HOT MIX ASPHALT SURF. CSE. MIX "C", N50	PG 64-22	IL 9.5 or IL 12.5 MIX "C"	4.0% @ N50	CORES
HOT MIX ASPHALT SHOULDERS	PG 58-22	IL 19.0	2.0% @ N30	CORES

Material shall be compacted to 93.0 - 97.4 percent of the maximum theoretical density, except that when placed as first lift on an unimproved subgrade the minimum percent compaction shall be 92.0 percent. The maximum theoretical density shall be determined from the moving average as specified in the QC/QA Specification.

Notes:
Shoulder work shall be done from Rt. Sta. 122+00 to Rt. Sta. 123+25 and from Rt. Sta. 129+00 to Rt. Sta. 130+00 during Stage I Construction. See Staging Plan and Cross Sections for details.

SHEET TITLE TYPICAL CROSS SECTIONS		PROJECT NO. 05042
PROJECT SECTION 05-00039-03-BR COUNTY HIGHWAY C29 GRUNDY COUNTY STATION 126+42		DATE 8/27/09
DRAWN BY MRL		CHECKED BY MCB
DRAWING NO.		3
COOMBE-BLOXDORF P.C. Engineers / Land Surveyors Springfield, Illinois Design Firm License No. 184-002703		OF 33 SHTS