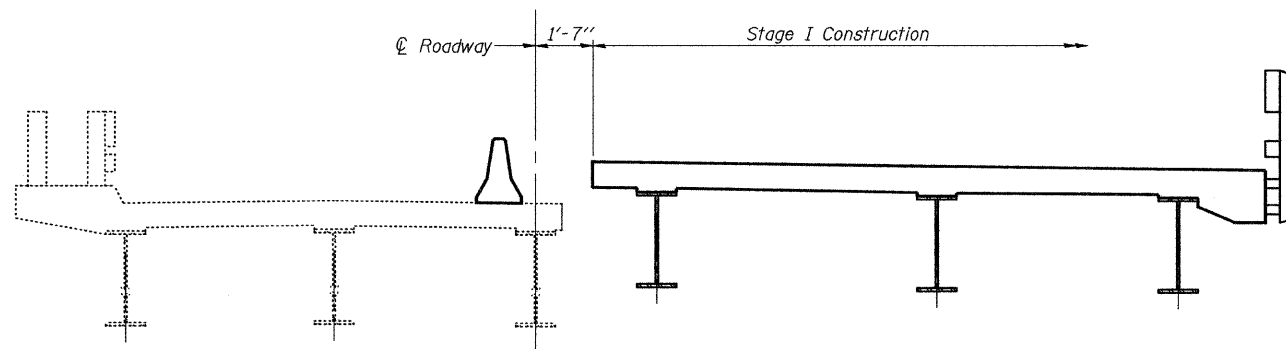
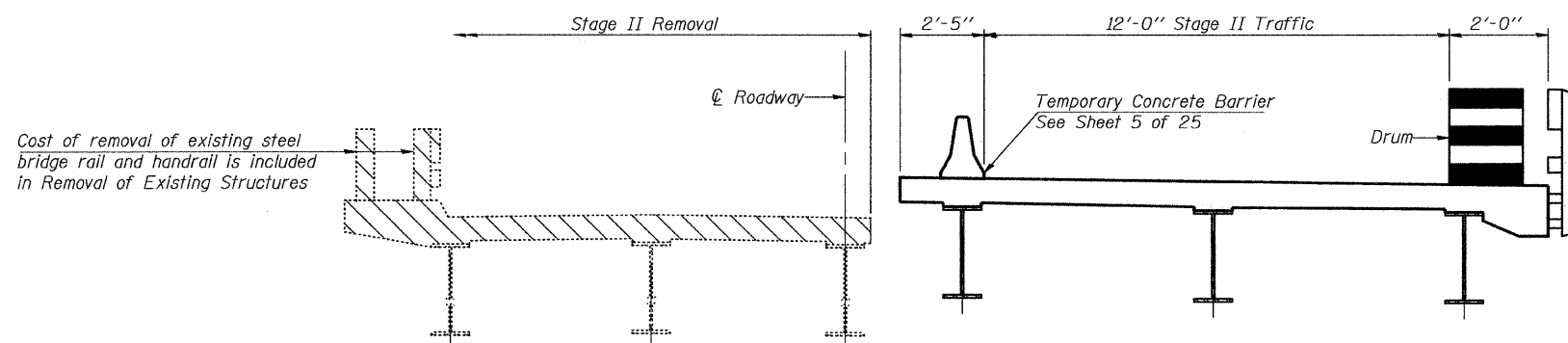


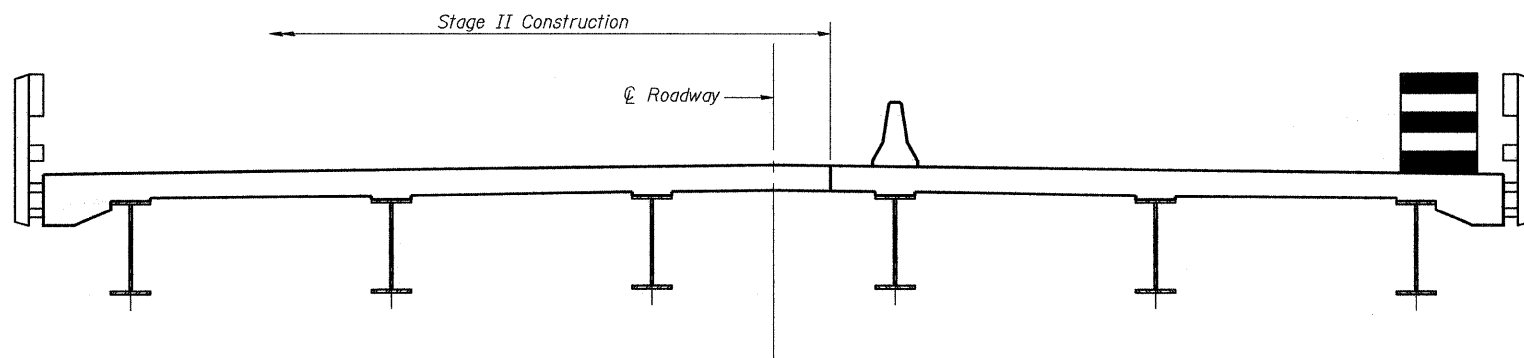
STAGE I REMOVAL



STAGE I CONSTRUCTION



STAGE II REMOVAL



STAGE II CONSTRUCTION

NOTES

All staging cross sections are looking East.
Hatched areas indicate Removal of Existing Structures.
For quantity of Temporary Concrete Barrier and Drums,
see roadway plans.

ILLINOIS DEPARTMENT OF TRANSPORTATION	
SHEET TITLE STAGE CONSTRUCTION DETAILS	
PROJECT F.A.S. RT. 287 (C.H. 29) SECTION 05-00039-03-BR GRUNDY COUNTY STATION 126+42.00 STRUCTURE NO. 032-3101	PROJECT NO. 05042 SCALE DATE 8/27/09 DRAWN BY TFG CHECKED BY MCB/CME DRAWING NO. 3
COOMBE-BLOXDORF P.C. Engineers / Land Surveyors Springfield, Illinois Design Firm License No. 184-002703	
OF 25 SHTS	

PLOT DATE = 10/21/2009
FILE NAME = \\sbs\p10n-plans\gnt-03.dgn
PLOT SCALE = 0.010000' / 1" / IN.
USER NAME = CFC.