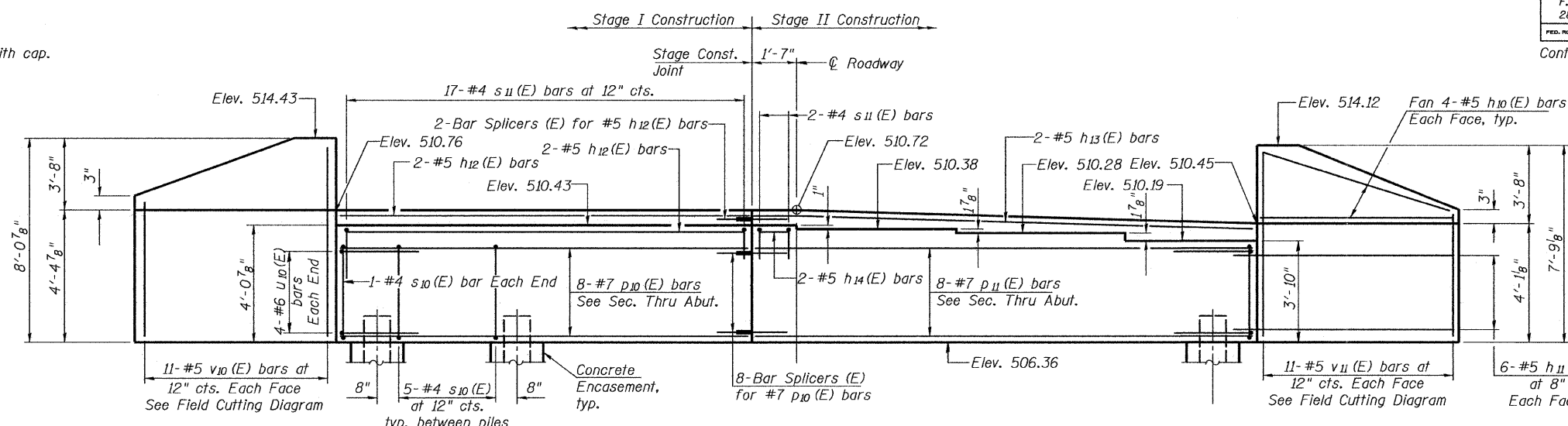
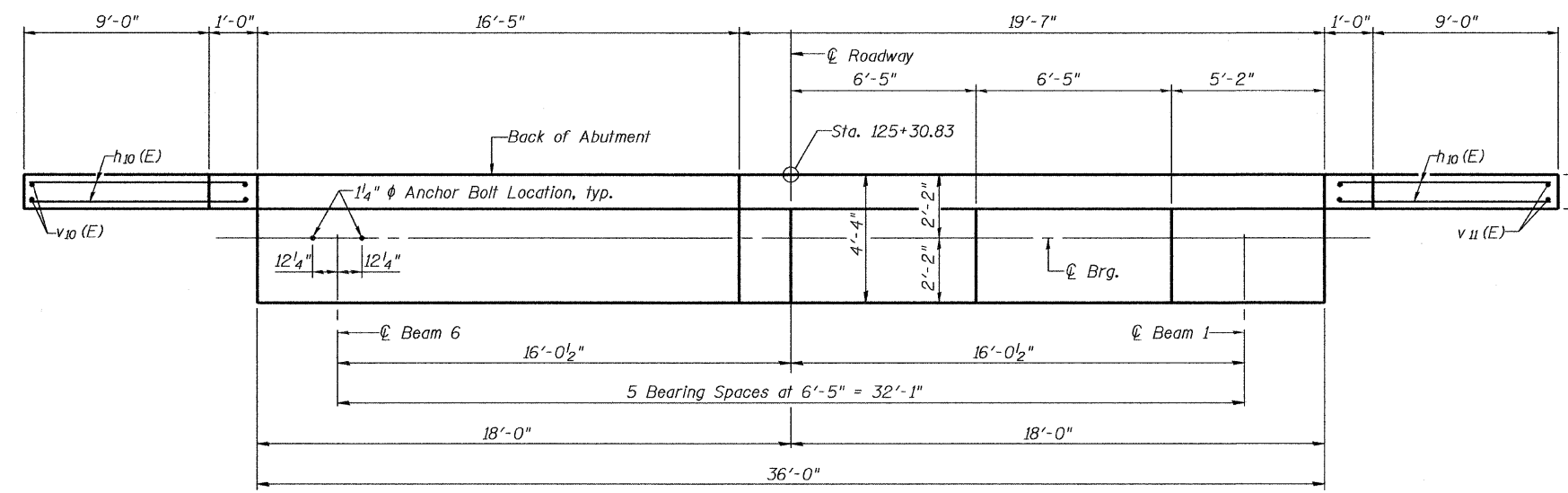


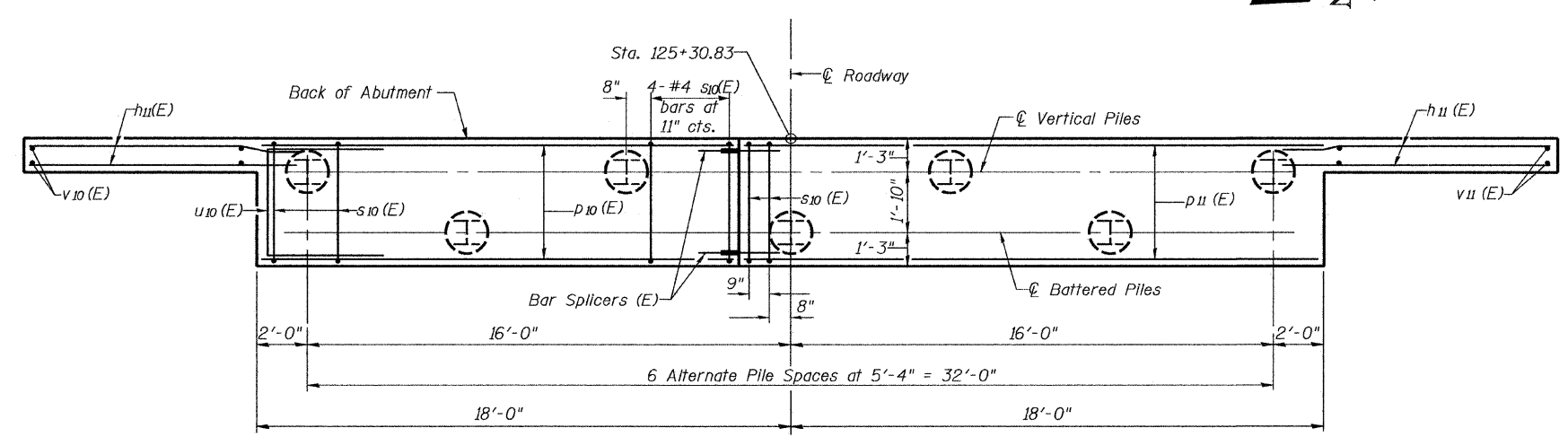
Note: Four steps monolithically with cap.



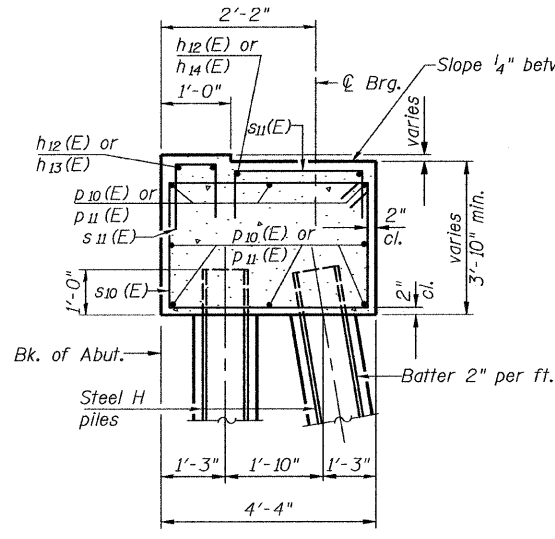
ELEVATION
(Looking West)



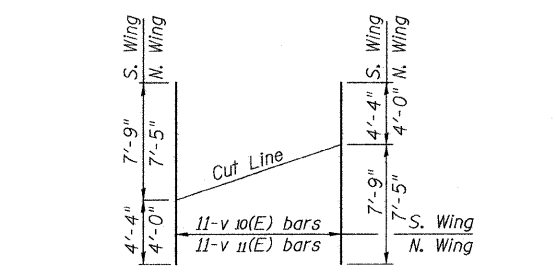
TOP VIEW



PLAN-PILE CAP



SECTION THRU ABUTMENT

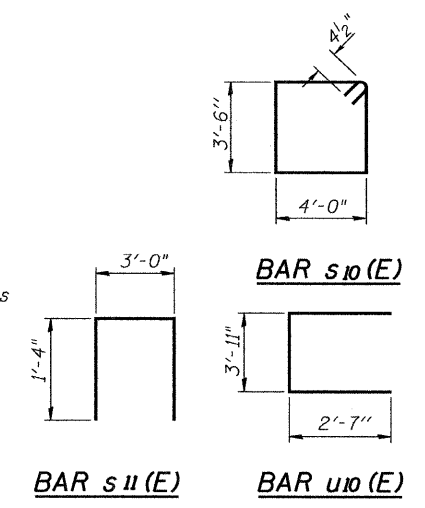


FIELD CUTTING DIAGRAM

Order v₁₀(E) and v₁₁(E) bars full length. Cut as shown and use remainder of bars in opposite face.

PILE DATA

Type: HP12x53
 Nominal Required Bearing: 419 kips
 Allowable Resistance Available: 140 kips
 Est. Length: 30 ft.
 No. Production Piles: 7
 No. Test Piles: none



ABUTMENT BILL OF MATERIAL

Bar	No.	Size	Length	Shape
h10(E)	16	#5	9'-8"	—
h11(E)	24	#5	11'-6"	—
h12(E)	4	#5	16'-1"	—
h13(E)	2	#5	19'-3"	—
h14(E)	2	#5	1'-3"	—
p10(E)	8	#7	16'-1"	—
p11(E)	8	#7	19'-3"	—
s10(E)	33	#4	15'-9"	□
s11(E)	19	#4	5'-8"	□
v10(E)	8	#6	9'-1"	—
v11(E)	11	#5	11'-5"	—
Structure Excavation		Cu. Yd.	24.1	
Concrete Structures		Cu. Yd.	28.2	
Reinforcement Bars, Epoxy Coated		Pound	1930	
Concrete Encasement		Cu. Yd.	2.5	
Bar Splicers		Each	12	
Furnishing Steel Piles HP 12x53		Foot	210	
Driving Piles		Foot	210	

For details of Bar Splicers, see sheet 22 of 25.
 For details of piles and Concrete Encasement, see sheet 21 of 25.

ILLINOIS DEPARTMENT OF TRANSPORTATION

SHEET TITLE: WEST ABUTMENT

PROJECT: F.A.S. RT. 287 (C.H. 29)
 SECTION 05-00039-03-BR
 GRUNDY COUNTY
 STATION 126+42.00
 STRUCTURE NO. 032-3101

PROJECT NO. 05042
 SCALE: 1/4" = 1'-0"
 DATE: 10/21/09
 DRAWN BY: TFG
 CHECKED BY: MCB/CME
 DRAWING NO. 17

COOMBE-BLOXDORF P.C.
 Engineers / Land Surveyors
 Springfield, Illinois
 Design Firm License No. 184-002703

OF 25 SHTS

PLOT DATE = 10/21/09
 FILE NAME = \\sbs\bridge-plans\87376-17.dgn
 PLOT SCALE = 0.01000 1/4" / 1"
 USER NAME = CFC