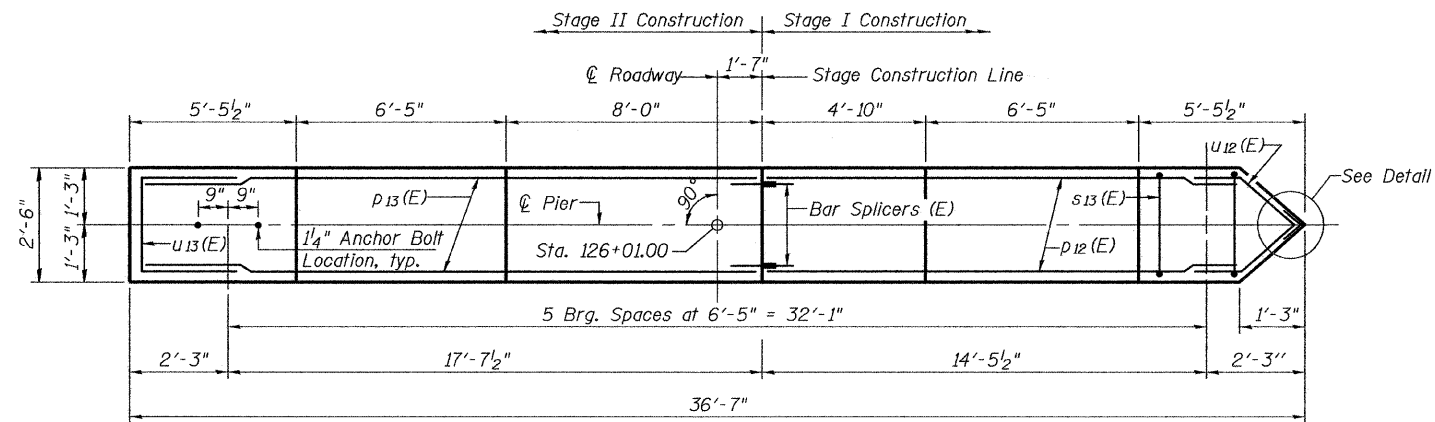
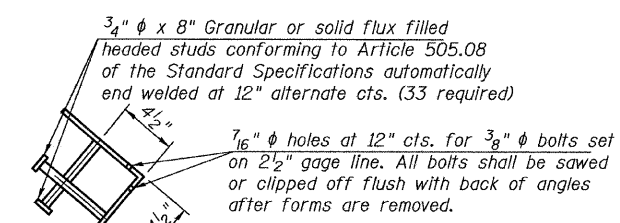


Notes:
 Space reinforcement in cap to miss anchor bolts.
 Pour steps monolithically with cap.
 For details of piles, see sheet 21 of 25.

ROUTE NO.	SECTION	COUNTY	DATE	SHEET	SHEET NO.
F.A.S. 287	#	GRUNDY	33	24	19
FED. ROAD DIST. NO. 7		ILLINOIS		FED. AID PROJECT-	
Contract #87376 *05-00039-03-BR					

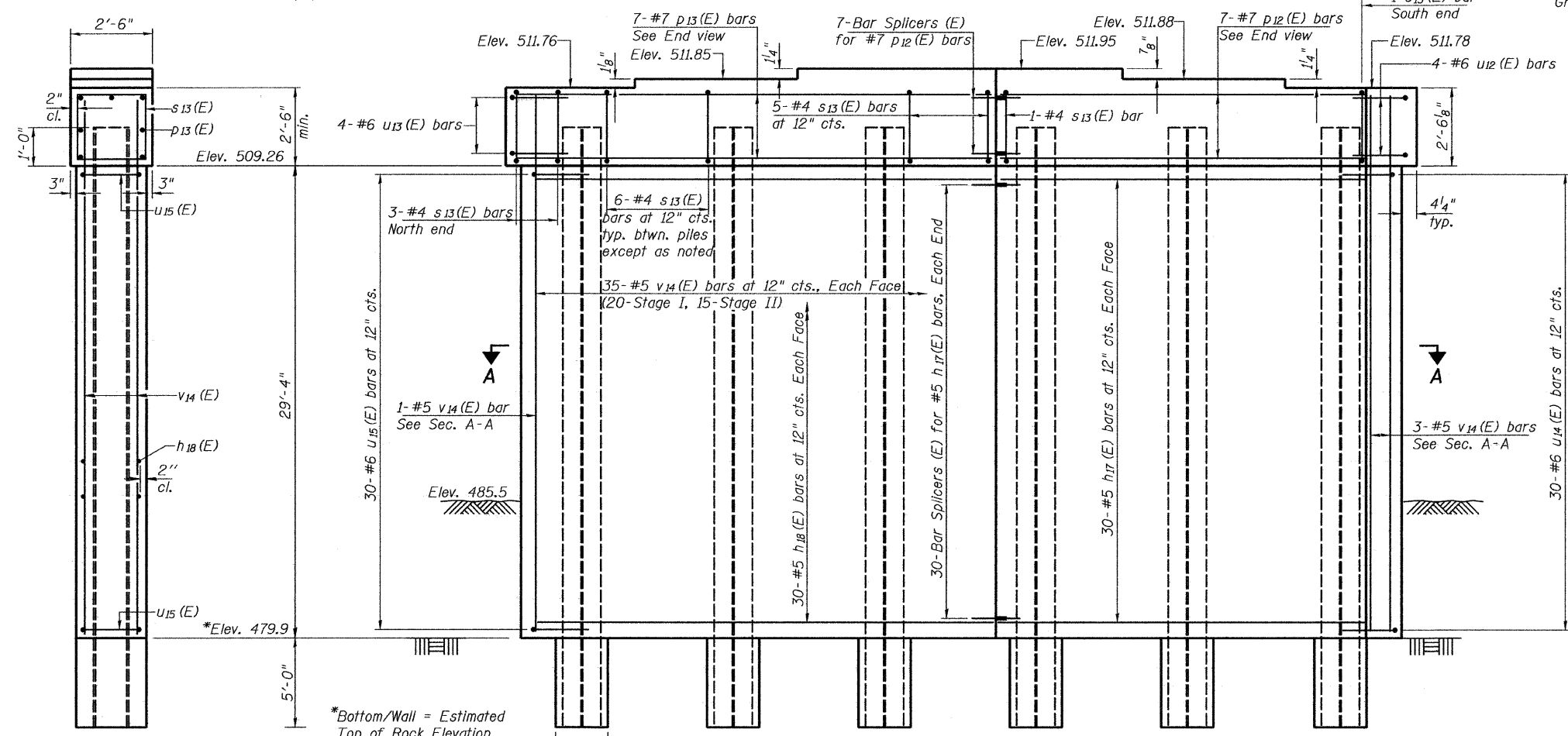


TOP PLAN



DETAIL A

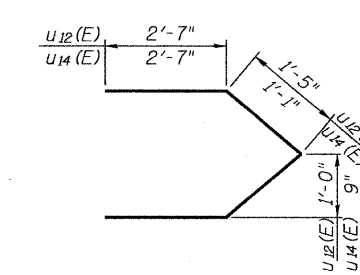
**The quantity for the angle is included in the quantity of Structural Steel (M 223, Grade 36).
 *L 8" x 8" x 1/2" (2 lengths: 1 at 29'-4" and 1 at 2'-6") AASHTO M270, Grade 36 galvanized in accordance with AASHTO M111.



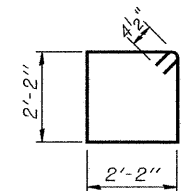
ELEVATION
(Looking East)

NORTH END VIEW

BARS u13(E) and u15(E)



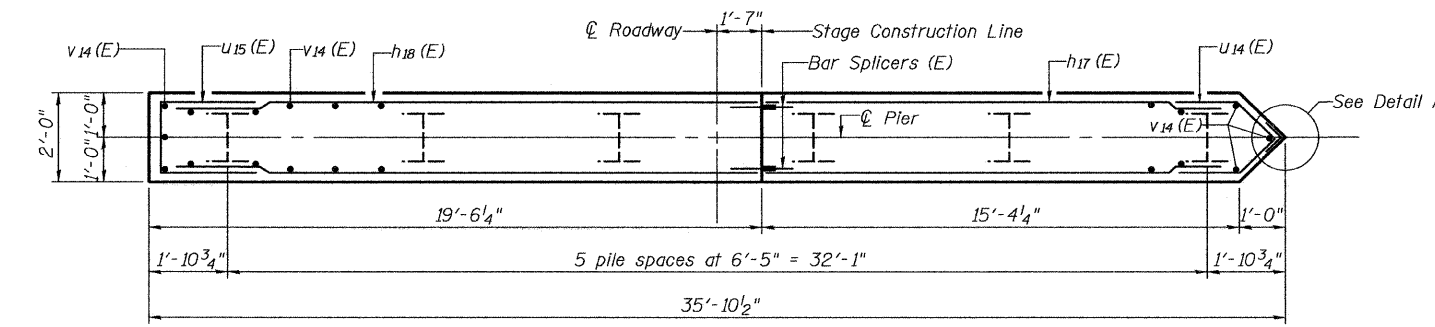
BARS u12(E) and u14(E)



BAR s13(E)

BILL OF MATERIAL

Bar	No.	Size	Length	Shape
h17 (E)	60	#5	15'-1"	—
h18 (E)	60	#5	19'-2"	—
p12 (E)	7	#7	15'-2"	—
p13 (E)	7	#7	19'-6"	—
s13 (E)	33	#4	9'-5"	—
u12 (E)	4	#6	8'-0"	⤵
u13 (E)	4	#6	7'-3"	⤵
u14 (E)	30	#6	7'-4"	⤵
u15 (E)	30	#6	6'-10"	⤵
v14 (E)	74	#5	31'-2"	—
Structure Excavation		Cu. Yd.	49.6	
Concrete Structures		Cu. Yd.	87.8	
Reinforcement Bars, Epoxy Coated		Pound	5980	
Bar Splicers		Each	67	
Furnishing Steel Piles HP12x84		Foot	234	
Setting and Driving Piles in Rock		Each	6	
Underwater Structure Excavation Protection - Location 1		Each	1	
Stud Shear Connector		Each	33	



SECTION A-A

PILE DATA

Type: HP12x84
 Nominal Required Bearing: 664 k
 Allowable Resistance Available: 221 k
 Est. Length: 39'
 No. Production Piles: 6
 No. Test Piles: 0

P-1 5-16-08

PLOT DATE = 10/21/2009
 FILE NAME = \\sbs\p10g-plans\p10g-19.dgn
 PLOT SCALE = 0.01000 1/10
 USER NAME = CFC

ILLINOIS DEPARTMENT OF TRANSPORTATION	
SHEET TITLE	
PIER 1	
PROJECT	PROJECT NO.
F.A.S. RT. 287 (C.H. 29)	05042
SECTION 05-00039-03-BR	SCALE
GRUNDY COUNTY	DATE 10/21/09
STATION 126+42.00	DRAWN BY TFG
STRUCTURE NO. 032-3101	CHECKED BY MCB/CME
COOMBE-BLOXDORF P.C.	DRAWING NO.
Engineers / Land Surveyors	19
Springfield, Illinois	OF 25 SHTS
Design Firm License No. 184-002703	