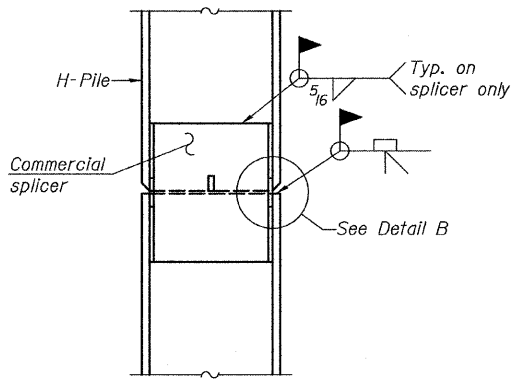
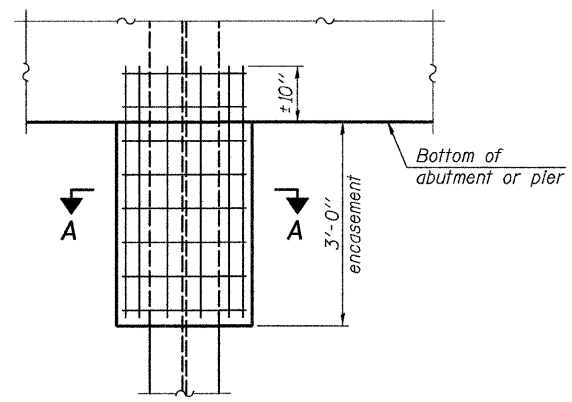


STEEL PILE TABLE

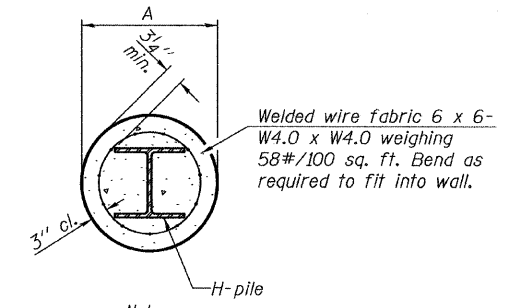
Designation	Depth d	Flange width b _f	Web and Flange thickness t	Encasement diameter A
HP 14x117	14 1/4"	14 7/8"	13/16"	30"
x102	14"	14 3/4"	1/16"	30"
x89	13 7/8"	14 3/4"	5/8"	30"
x73	13 5/8"	14 5/8"	1/2"	30"
HP 12x84	12 1/4"	12 1/4"	1/16"	24"
x74	12 1/8"	12 1/4"	5/8"	24"
x63	12"	12 1/8"	1/2"	24"
x53	11 3/4"	12"	7/16"	24"
HP 10x57	10"	10 1/4"	9/16"	24"
x42	9 3/4"	10 1/8"	7/16"	24"
HP 8x36	8"	8 1/8"	7/16"	18"



ELEVATION



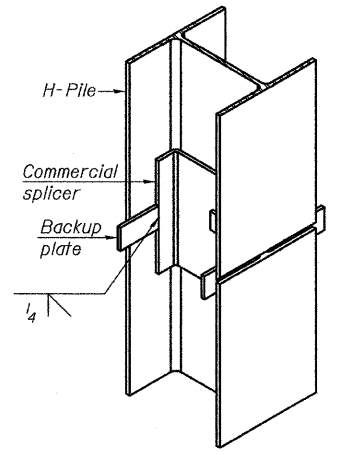
ELEVATION



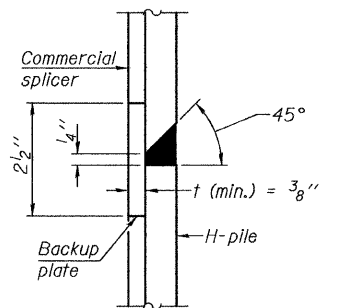
SECTION A-A

Note:
Forms for encasement may be omitted when soil conditions permit.

PILE ENCASEMENT

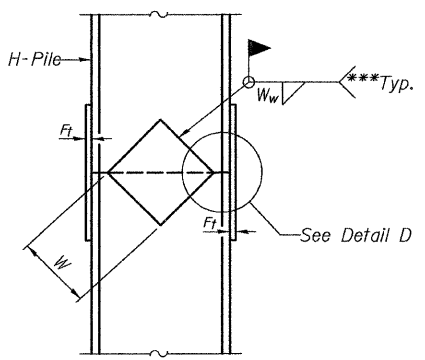


ISOMETRIC VIEW

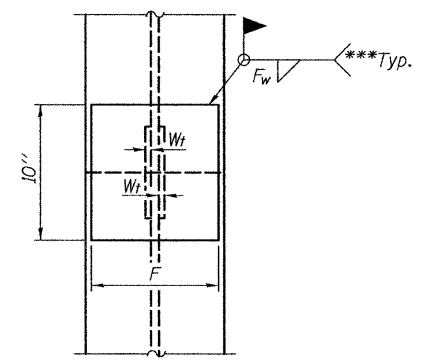


DETAIL "B"

WELDED COMMERCIAL SPLICE

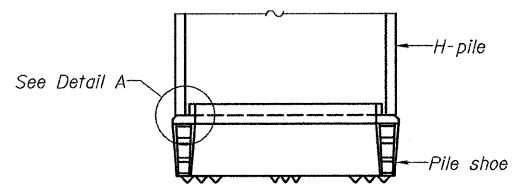


ELEVATION

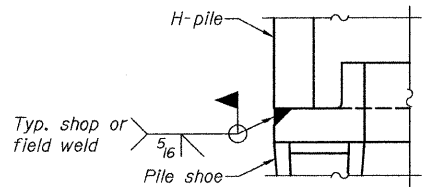


END VIEW

Designation	F	F _t	F _w	W	W _t	W _w
HP 14x117	12 1/2"	1"	7/8"	7 3/4"	5 1/2"	1/2"
x102	12 1/2"	7/8"	3/4"	7 3/4"	5 1/2"	1/2"
x89	12 1/2"	3/4"	1/16"	7 3/4"	5 1/2"	1/2"
x73	12 1/2"	5/8"	9/16"	7 3/4"	5 1/2"	1/2"
HP 12x84	10"	7/8"	1/16"	6 1/2"	5 1/2"	1/2"
x74	10"	7/8"	1/16"	6 1/2"	5 1/2"	1/2"
x63	10"	5/8"	1/2"	6 1/2"	1/2"	3/8"
x53	10"	5/8"	1/2"	6 1/2"	1/2"	3/8"
HP 10x57	8"	3/4"	9/16"	5 1/4"	1/2"	3/8"
x42	8"	5/8"	9/16"	5 1/4"	1/2"	3/8"
HP 8x36	7"	5/8"	7/16"	4 1/4"	1/2"	3/8"

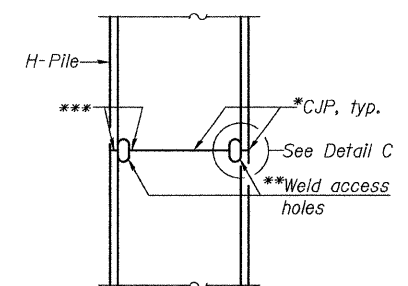


ELEVATION

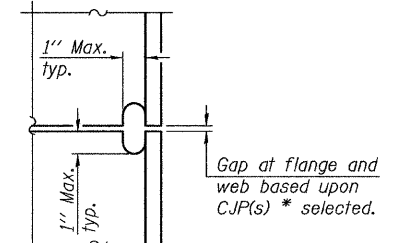


DETAIL A

H-PILE SHOE ATTACHMENT



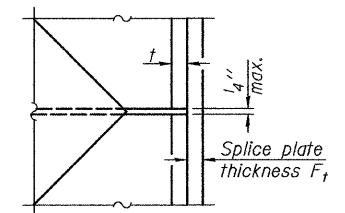
ELEVATION



DETAIL C

COMPLETE PENETRATION WELD SPLICE

* Use joint conforming to Figure 3.4 in AWS D1.1, Structure Welding Code - Steel.
 ** Preparation per Fig. 5.2 in AWS D1.1, Structure Welding Code - Steel.
 *** Interrupt welds 1/4" from end of each pile.



DETAIL D

WELDED PLATE FIELD SPLICE

Note:
The steel H-piles shall be according to AASHTO M270 Grade 50.

ILLINOIS DEPARTMENT OF TRANSPORTATION

SHEET TITLE
PILE DETAILS

PROJECT
F.A.S. RT. 287 (C.H. 29)
SECTION 05-00039-03-BR
GRUNDY COUNTY
STATION 126+42.00
STRUCTURE NO. 032-3101

PROJECT NO. 05042
SCALE
DATE 8/27/09
DRAWN BY TFG
CHECKED BY MCB/CME
DRAWING NO.

COOMBE-BLOXDORF P.C.
Engineers / Land Surveyors
Springfield, Illinois
Design Firm License No. 184-002703

21
OF 25 SHTS

PLOT DATE = 8/27/2009
 FILE NAME = I:\Projects\05-00039-03-BR\05-00039-03-BR-21.dgn
 PLOT SCALE = 0.1000 1/8" / 1" / IN.
 USER NAME = PFW