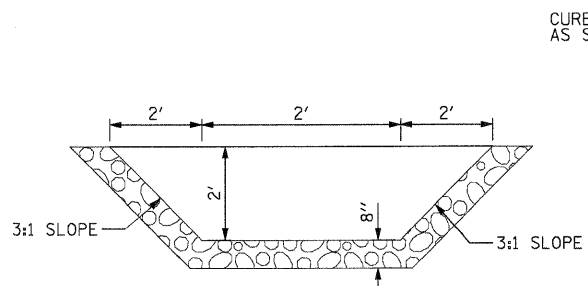
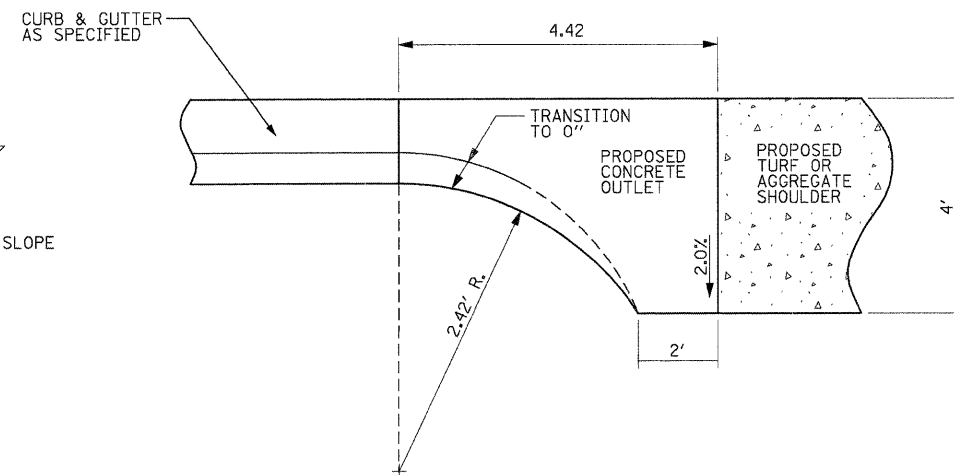


RIP RAP AT FLARED END SECTION

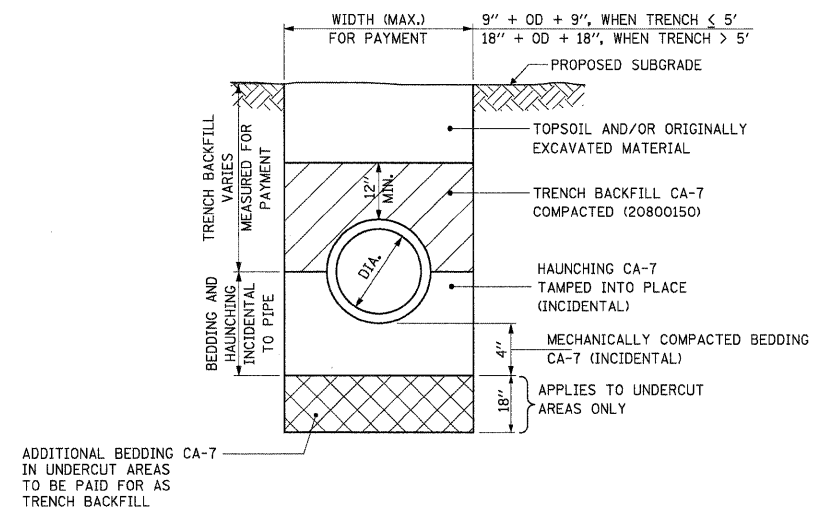


SECTION B-B

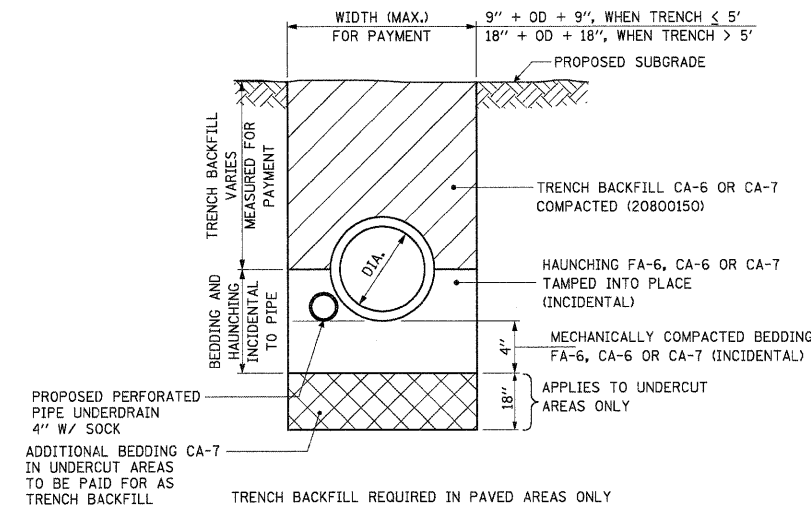
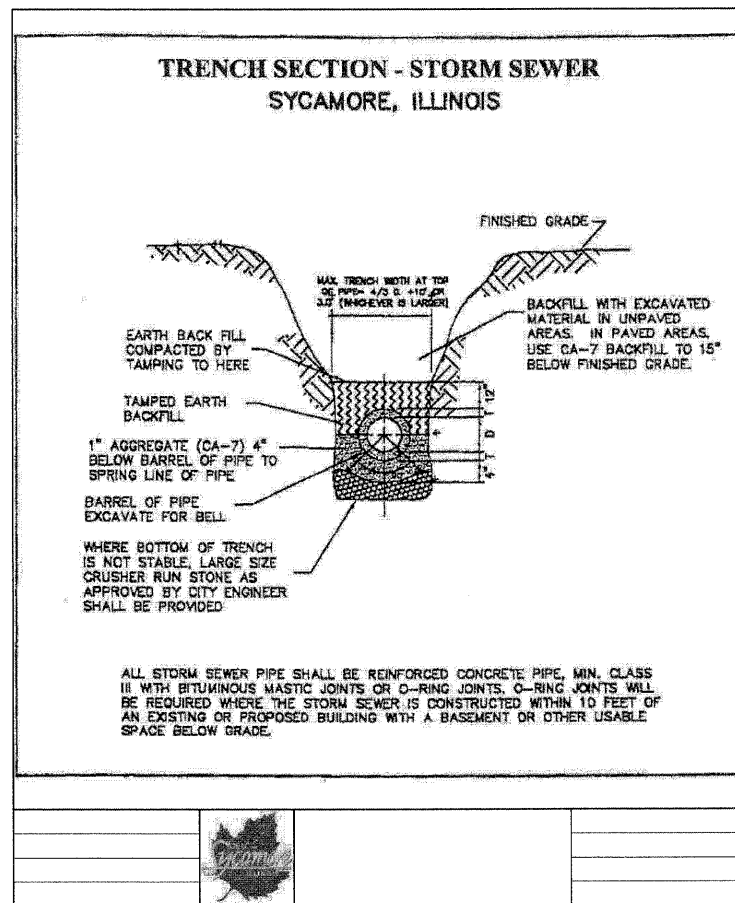


GUTTER OUTLET FOR B6.12 CURB AND GUTTER

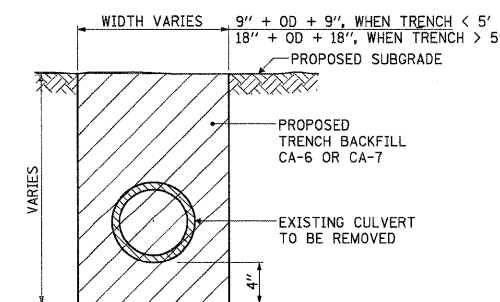
TO BE PAID AS LINEAL FEET OF THE CURB SPECIFIED



PROPOSED TRENCH - PVC CULVERT PIPE - PERFORATED DETAIL
SEE PLANS FOR UNDERDRAIN LOCATIONS



PROPOSED TRENCH - CULVERT PIPE WITH UNDERDRAIN DETAIL
SEE PLANS FOR UNDERDRAIN LOCATIONS



TRENCH BACKFILL - EXISTING CULVERT REMOVAL IN PAVED AREAS

TRENCH BACKFILL REQUIRED IN PAVED AREAS ONLY.
IN NON PAVED AREAS CONTRACTOR MAY REPLACE
WITH ORIGINALLY EXCAVATED MATERIALS.

FILE NAME = P:\CBBEL - WEST Projects\22009-09-08-08 Lindgren_Rd\CA-1\Drawings\DWG\DWG.dgn

WILLS BURKE KELSEY ASSOCIATES LTD.
110 West Main Street, Suite 201
St. Charles, Illinois 62174
(630) 443-7755

USER NAME = #USER#
PLOT SCALE = NONE
PLOT DATE = 10/28/2009

DESIGNED - KMA
DRAWN - NDP
CHECKED - SBP
DATE - 10/1/09

REVISED -
REVISED -
REVISED -
REVISED -

STATE OF ILLINOIS
DEPARTMENT OF TRANSPORTATION

DETAILS
GENERAL CONSTRUCTION

SCALE: NONE SHEET NO. 33 OF 54 SHEETS STA. TO STA.

F.A. RTE.	SECTION	COUNTY	TOTAL SHEETS	SHEET NO.
5369	09-00068-00-FP	DEKALB	54	33
CONTRACT NO. 87406				
FED. ROAD DIST. NO. 3 ILLINOIS FED. AID PROJECT				