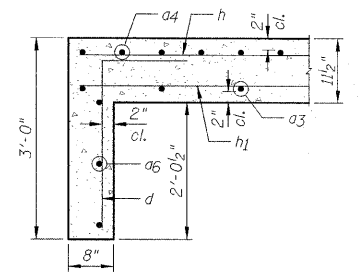
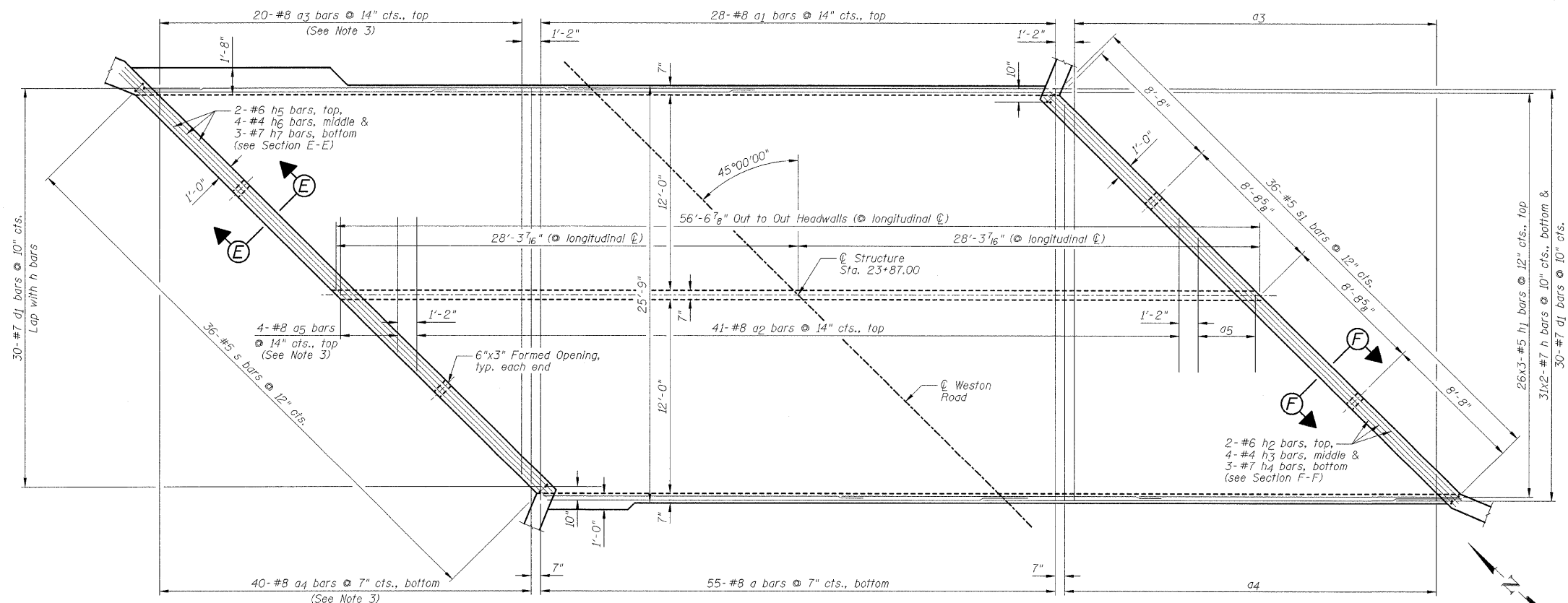


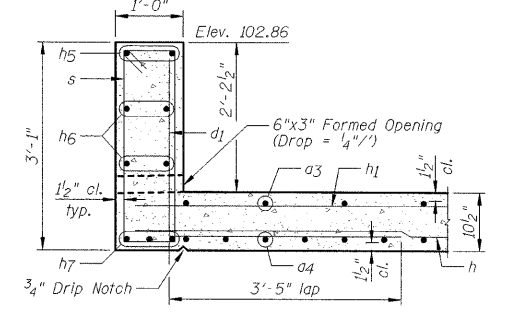
BOTTOM SLAB PLAN



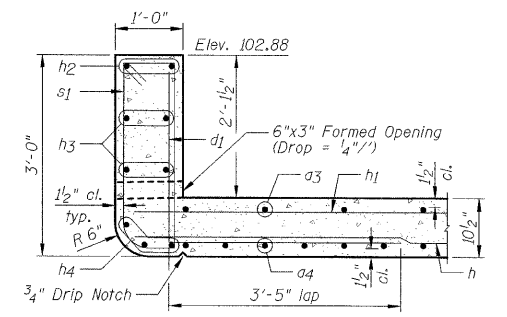
SECTION A-A



TOP SLAB PLAN



SECTION E-E



SECTION F-F

- NOTES:**
- 1.) For Bill of Material, see Sheet A2.
 - 2.) For bar lap length, see the General Notes on Sheet A2.
 - 3.) Order a3, a4 and a5 bars full length. Cut according to the Bar Cutting Diagram on Sheet A2. Use remainder of bars in opposite end of slab.
 - 4.) For View B-B thru View D-D, see Sheet A4.

DESIGNED - JML	REVISED -
DRAWN - DJM	REVISED -
CHECKED - MSW	REVISED -
DATE - 10/21/09	REVISED -

LIVINGSTON COUNTY DEPARTMENT OF HIGHWAYS

BOTTOM & TOP SLAB REINFORCEMENT PLANS

**WESTON ROAD (C.H. 10) OVER HICKORY CREEK
SECTION 09-00120-03-BR
LIVINGSTON COUNTY
STATION 23+87.00**

F.A.S. 349	SECTION 09-00120-03-BR	COUNTY LIVINGSTON	TOTAL SHEETS 34	SHEET NO. 14
S.N. 053-5014		CONTRACT NO. 87412		
FED. ROAD DIST. NO.		ILLINOIS FED. AID PROJECT		

FARNSWORTH GROUP, INC.

CONSULTING ENGINEERS - 2709 MCGRAW DRIVE BLOOMINGTON, ILLINOIS 61704 (309) 663-8435 / (309) 663-1571 FAX