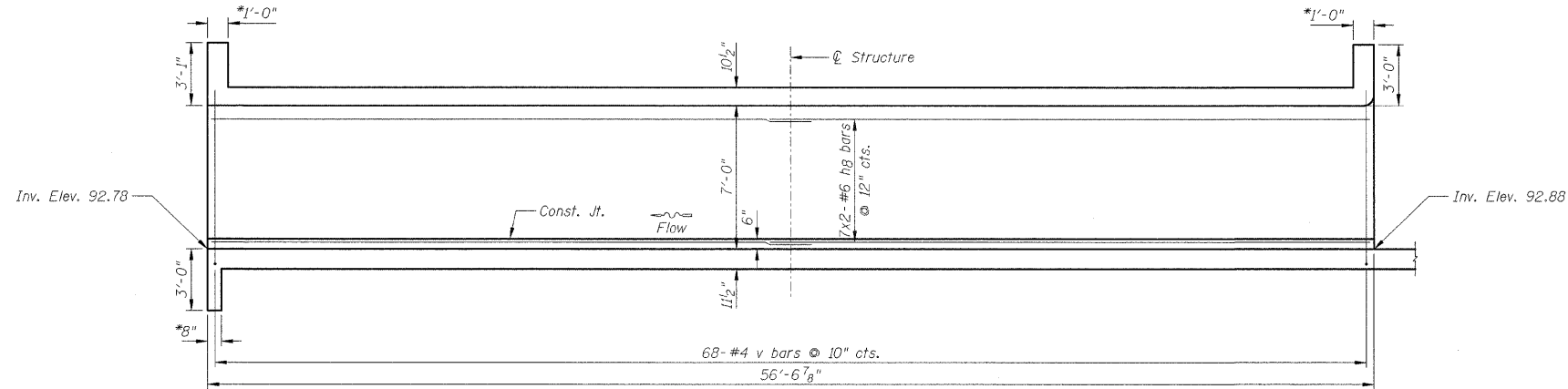
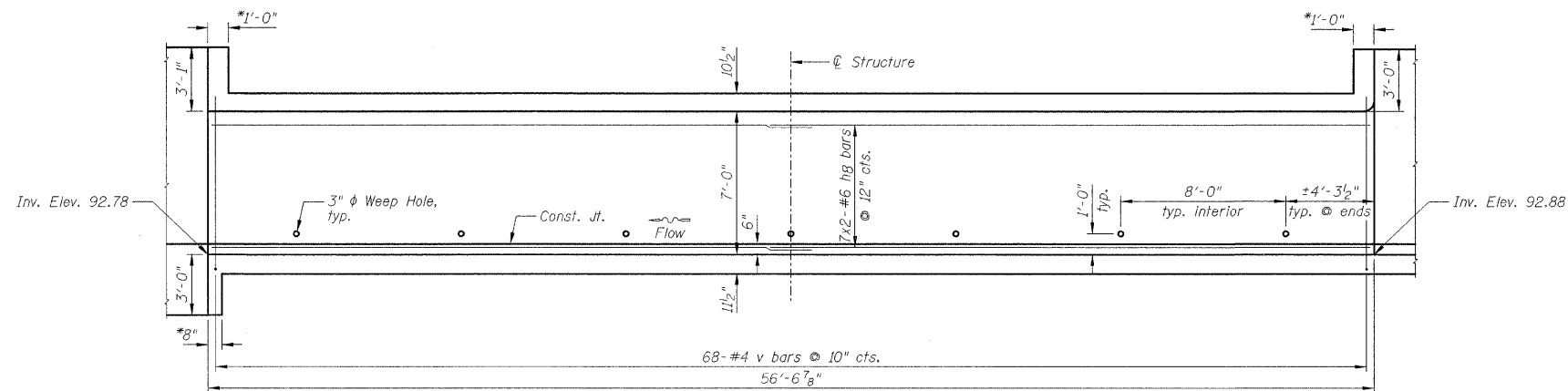


VIEW B-B



VIEW C-C



VIEW D-D

**NOTES:**

- 1.) For Bill of Material, see Sheet A2.
- 2.) For bar lap length, see the General Notes on Sheet A2.
- 3.) \*Denotes horizontal dimension at right angle to roadway.
- 4.) For location View B-B thru View D-D, see Sheet A3.

|                 |           |
|-----------------|-----------|
| DESIGNED - JML  | REVISED - |
| DRAWN - DJM     | REVISED - |
| CHECKED - MSW   | REVISED - |
| DATE - 10/21/09 | REVISED - |

LIVINGSTON COUNTY DEPARTMENT OF HIGHWAYS

CULVERT WALL ELEVATIONS

WESTON ROAD (C.H. 10) OVER HICKORY CREEK  
SECTION 09-00120-03-BR  
LIVINGSTON COUNTY  
STATION 23+87.00

| F.A.S.              | SECTION        | COUNTY                    | TOTAL SHEETS | SHEET NO. |
|---------------------|----------------|---------------------------|--------------|-----------|
| 349                 | 09-00120-03-BR | LIVINGSTON                | 34           | 15        |
| S.N. 053-5014       |                | CONTRACT NO. 87412        |              |           |
| FED. ROAD DIST. NO. |                | ILLINOIS FED. AID PROJECT |              |           |