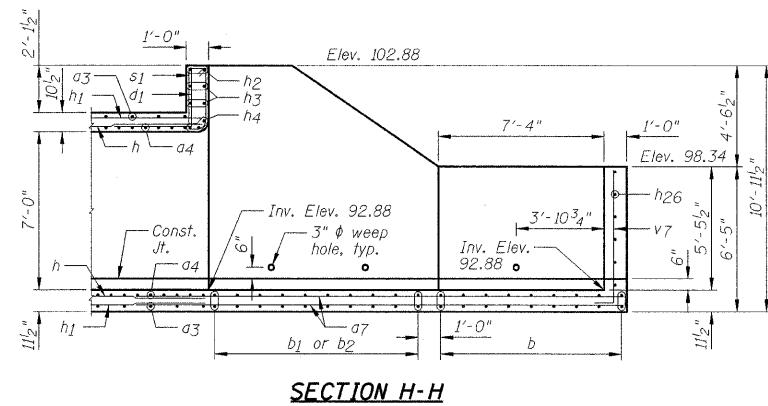
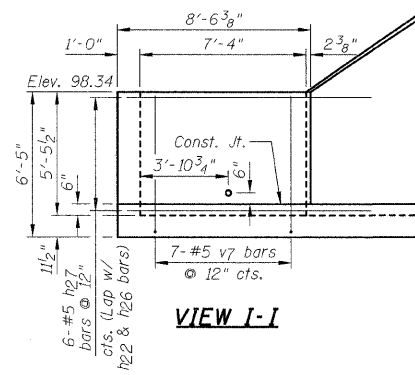


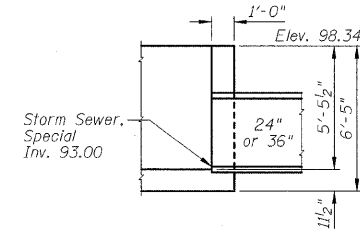
VIEW G-G



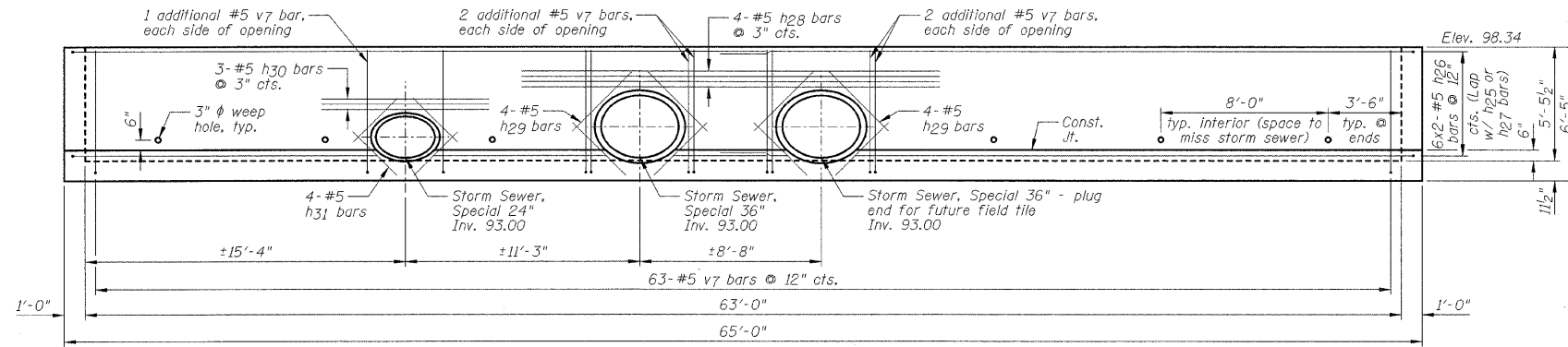
SECTION H-H



VIEW I-I



TYPICAL PIPE PENETRATION DETAIL

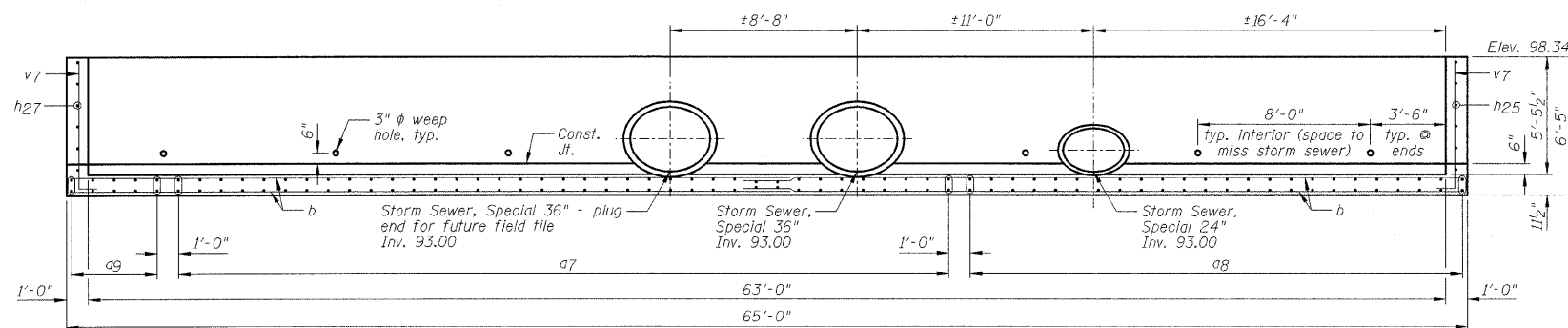


SECTION J-J

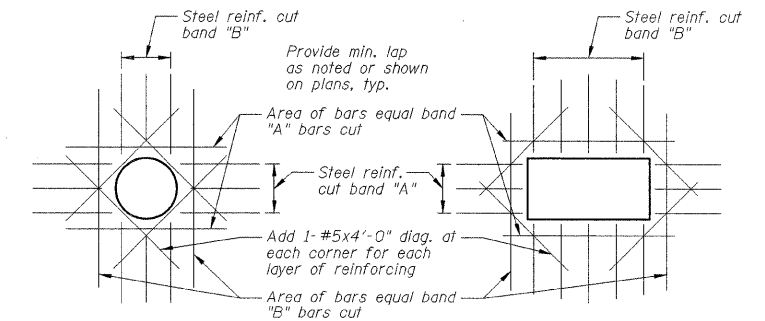
Hc		Lc	
BAR SIZE	LENGTH	BAR SIZE	LENGTH
4	8"	4	1'-9"
5	10"	5	2'-2"
6	1'-0"	6	2'-8"
7	1'-2"	7	3'-9"
8	1'-4"	8	4'-2"
9	1'-7"	9	4'-8"
10	1'-10"	10	5'-3"
11	2'-0"	11	5'-8"

CORNER BAR DETAIL

Corner bars are required at all corner locations.



SECTION K-K



TYPICAL REINFORCING AROUND OPENINGS DETAIL

NOTES:

- 1.) For Bill of Material, see Sheet A2.
- 2.) For bar lap length, see the General Notes on Sheet A2.

DESIGNED - JML	REVISED -
DRAWN - DJM	REVISED -
CHECKED - MSW	REVISED -
DATE - 10/21/09	REVISED -

LIVINGSTON COUNTY DEPARTMENT OF HIGHWAYS

DROP BOX DETAILS

SCALE: SHEET NO. A8 OF 11 SHEETS STA. TO STA.

WESTON ROAD (C.H. 10) OVER HICKORY CREEK  
SECTION 09-00120-03-BR  
LIVINGSTON COUNTY  
STATION 23+87.00

F.A.S.	SECTION	COUNTY	TOTAL SHEETS	SHEET NO.
349	09-00120-03-BR	LIVINGSTON	34	19
S.N. 053-5014		CONTRACT NO. 87412		
FED. ROAD DIST. NO.		ILLINOIS FED. AID PROJECT		