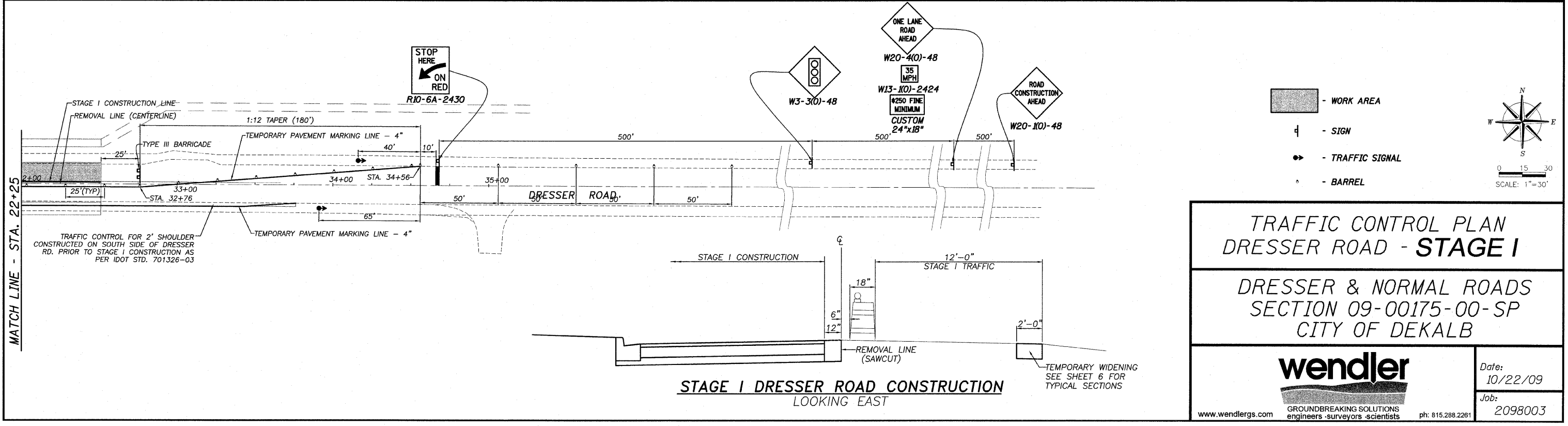
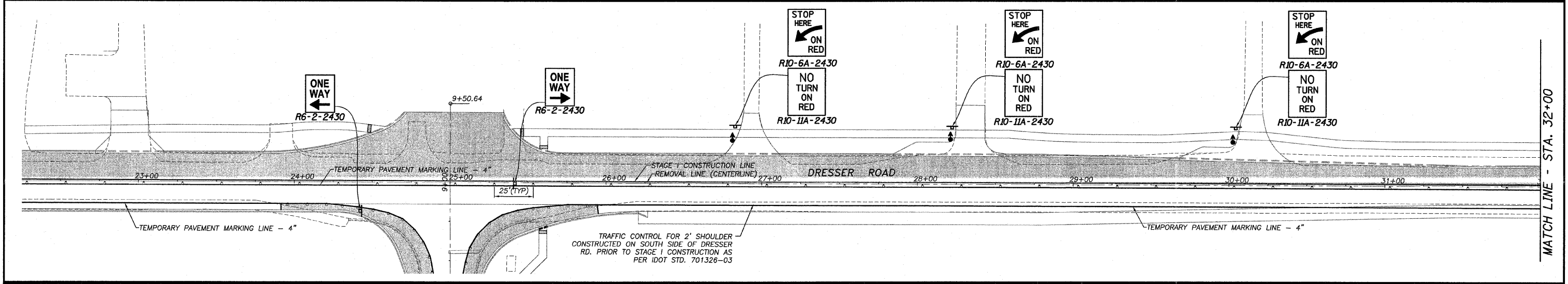
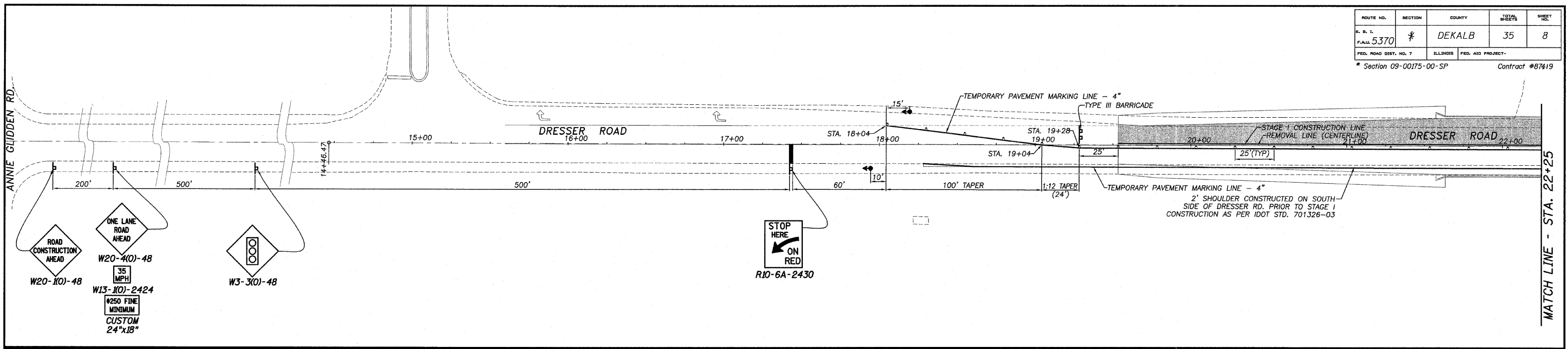


ROUTE NO.	SECTION	COUNTY	TOTAL SHEETS	SHEET NO.
F.A.U. 5370	*	DEKALB	35	8
FED. ROAD DIST. NO. 7	ILLINOIS	FED. AID PROJECT-		

* Section 09-00175-00-SP Contract #87419



- WORK AREA
- SIGN
- TRAFFIC SIGNAL
- BARREL

SCALE: 1"=30'

**TRAFFIC CONTROL PLAN
DRESSER ROAD - STAGE I**

**DRESSER & NORMAL ROADS
SECTION 09-00175-00-SP
CITY OF DEKALB**

GROUND BREAKING SOLUTIONS
engineers - surveyors - scientists

www.wendlergs.com

Date:
10/22/09

Job:
2098003

ph: 815.288.2261