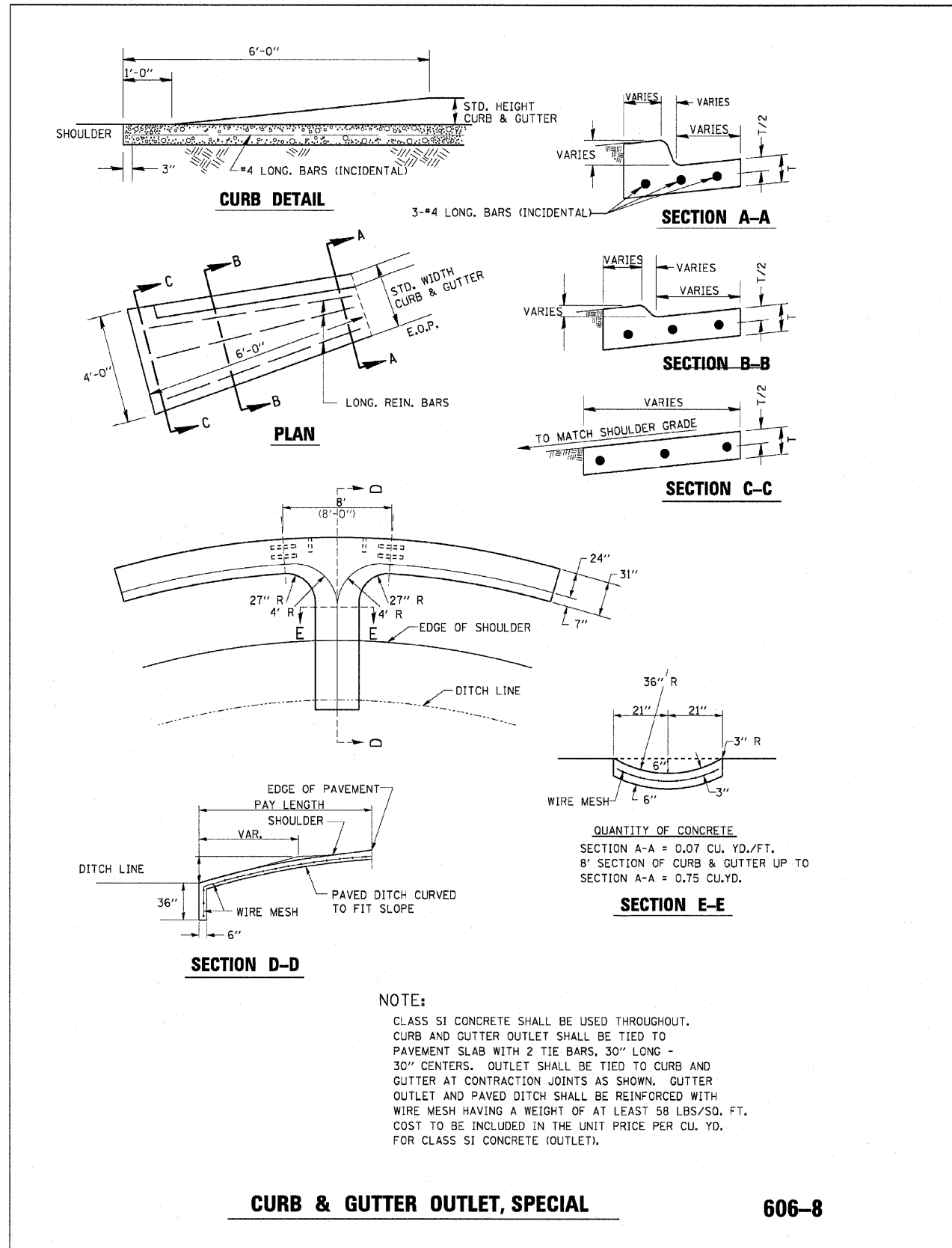


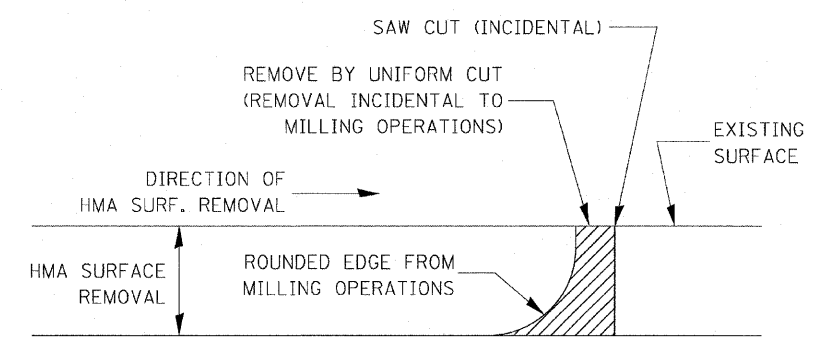
ROUTE NO.	SECTION	COUNTY	TOTAL SHEETS	SHEET NO.
U. S. I. F.A.W. 5370	*	DEKALB	35	31
FED. ROAD DIST. NO. 7	ILLINOIS	FED. AID PROJECT-		

* Section 09-00175-00-SP Contract #87419



CURB & GUTTER OUTLET, SPECIAL

606-8



NOTE:

WHEN MILLING OPERATIONS PRODUCE A ROUNDED EDGE, THEN A SAW CUT SHALL BE USED TO MANUFACTURE A PERPENDICULAR EDGE AS SHOWN IN THE DETAIL. THE ENGINEER SHALL BE THE SOLE JUDGE CONCERNING THE USE OF THIS DETAIL

HMA DETAIL AT BUTT JOINTS

406-8