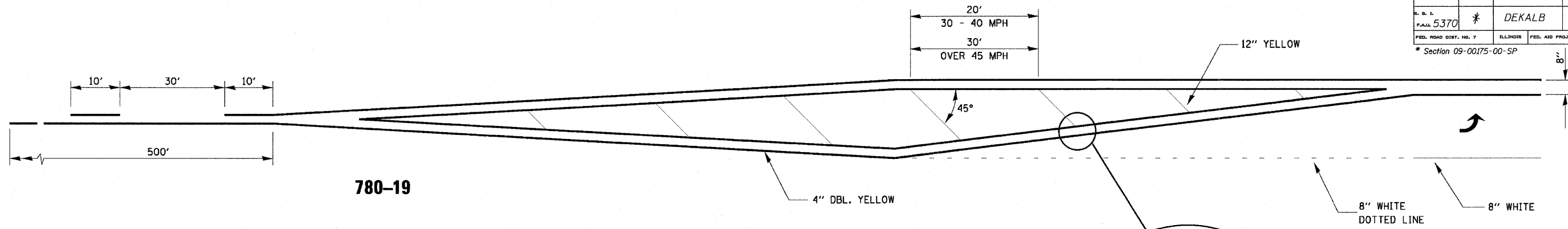
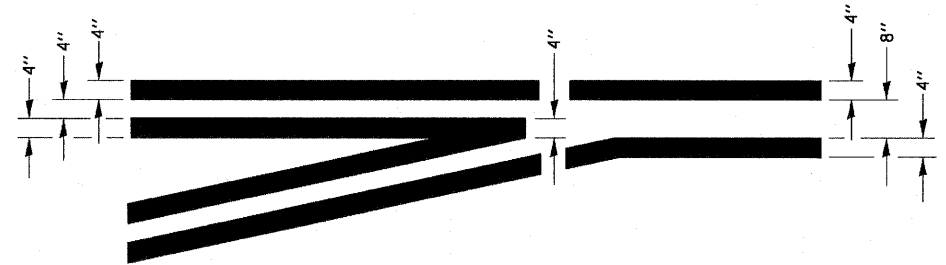


ROUTE NO.	SECTION	COUNTY	TOTAL SHEETS	SHEET NO.
ILL. 5370	*	DEKALB	35	33
FED. ROAD DIST. NO. 7	ILLINOIS	FED. AID PROJECT		
* Section 09-00175-00-SP			Contract #87419	

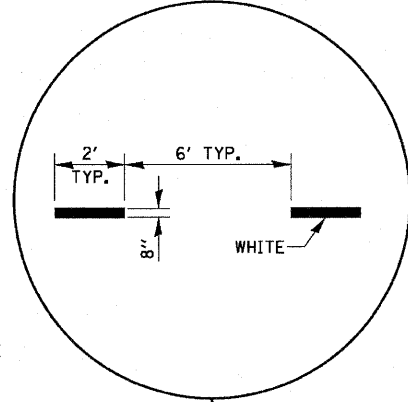
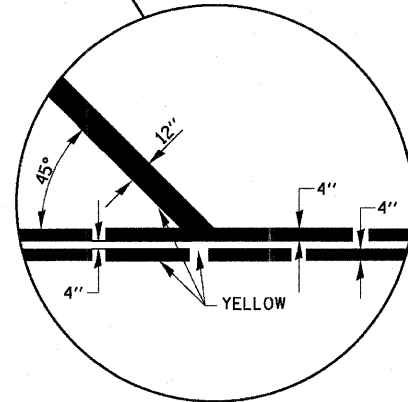


780-19



**TYPICAL APPLICATION
@ LEFT TURN LANES**

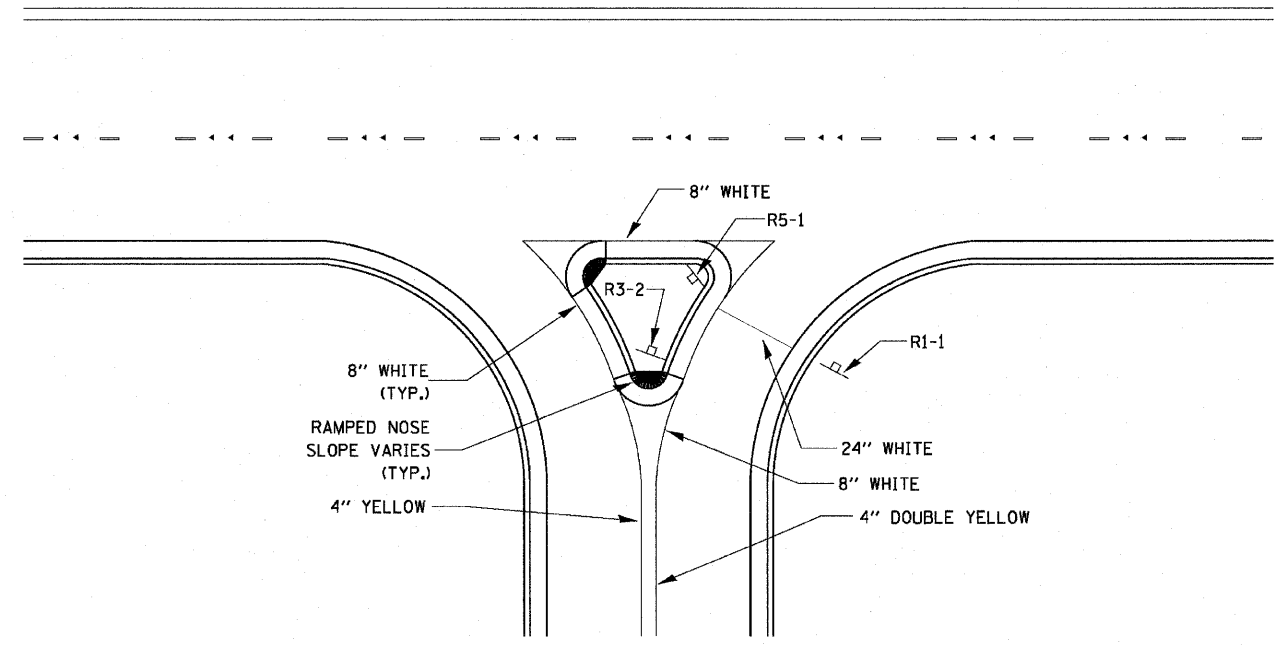
780-1



**ADVANCE AND INTERSECTION LANE
DIVIDER LINES**

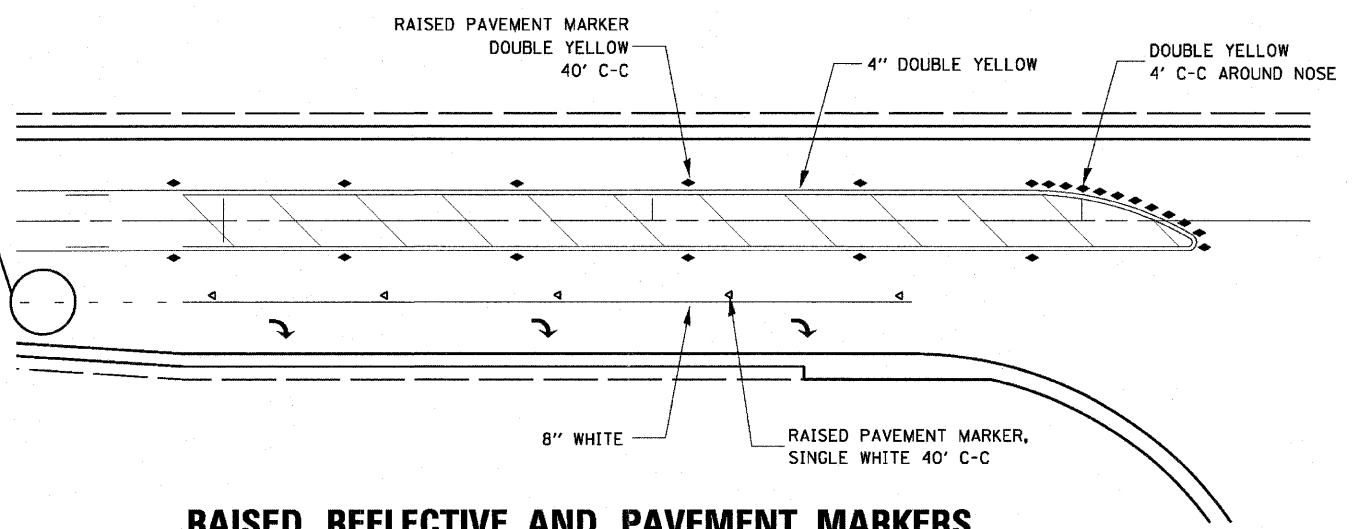
780-5

URBAN PAVEMENT MARKING



RIGHT IN RIGHT OUT ACCESS PAVEMENT MARKING

780-16



RAISED REFLECTIVE AND PAVEMENT MARKERS

@ RIGHT TURN LANE

781-1

FILE NAME =	USER NAME = cooran\m	DESIGNED -	REVISED -	STATE OF ILLINOIS DEPARTMENT OF TRANSPORTATION	URBAN PAVEMENT MARKING				F.A. RTE.	SECTION	COUNTY	TOTAL SHEETS	SHEET NO.
ct:\pv_work\pvidot\cooran\m\dms41568\78799.dgn	0799.dgn	DRAWN -	REVISED -		SCALE:	SHEET NO.	OF	SHEETS	STA.	TO STA.	FED. ROAD DIST. NO.	ILLINOIS	FED. AID PROJECT
PLOT SCALE = 47.727' / IN.		CHECKED -	REVISED -						CONTRACT NO.				
PLOT DATE = Jul 29, 2009 - 09:53:26 AM		DATE -	REVISED -										