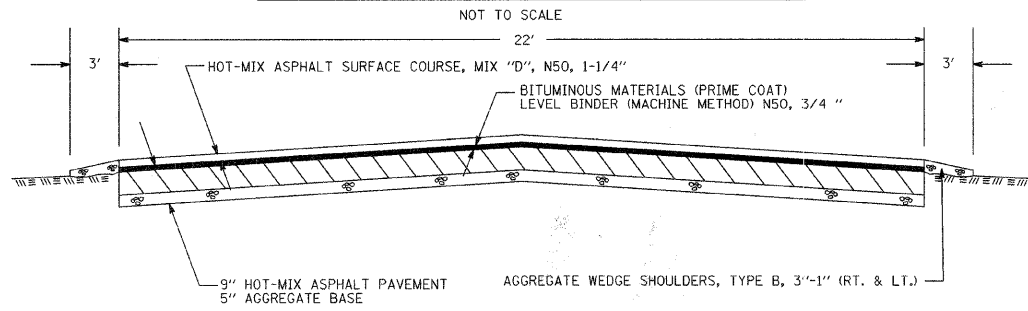
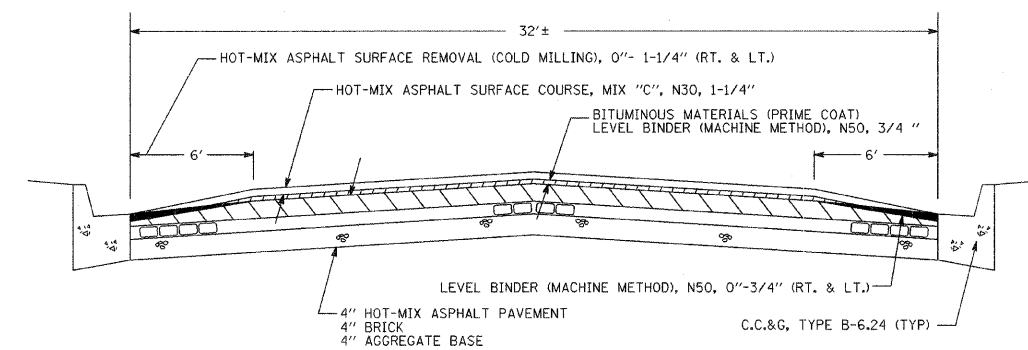


FA.U. ROUTE NO.	SECTION	ILLINOIS PROJECT	CONTRACT NO.	COUNTY	TOTAL SHEETS	SHEET NUMBER
VARIABLES	09-00162-00-RS	ARA-5052 (026)	87439	LASALLE	9	3

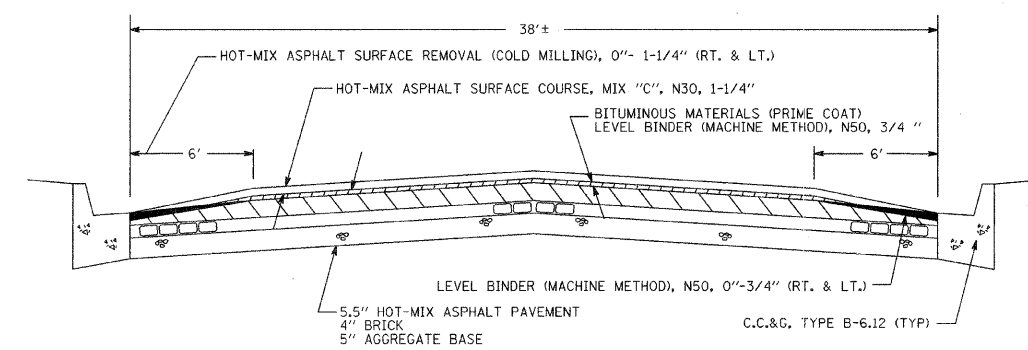
PROPOSED TYPICAL PAVEMENT SECTIONS



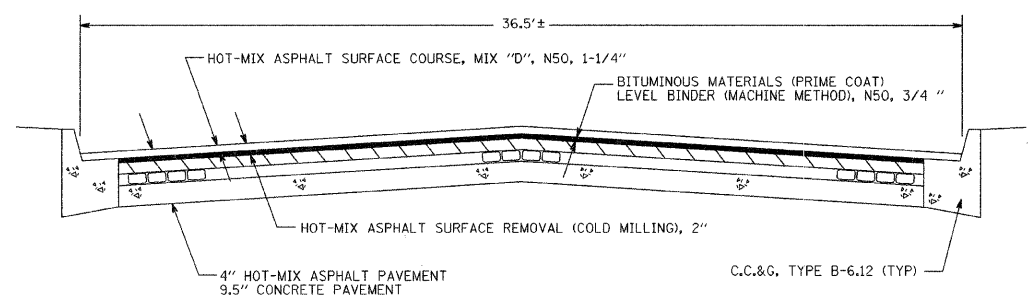
GREEN STREET /CANAL ROAD (FAU 6047/6024)



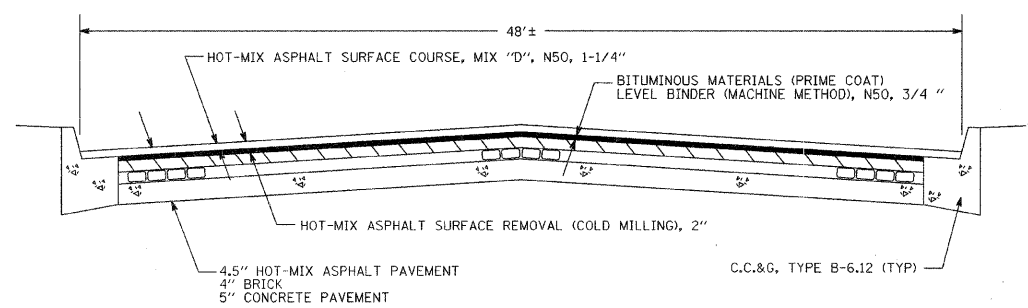
JOLIET STREET (FAU 6055)



LASALLE STREET (FAU 6042)

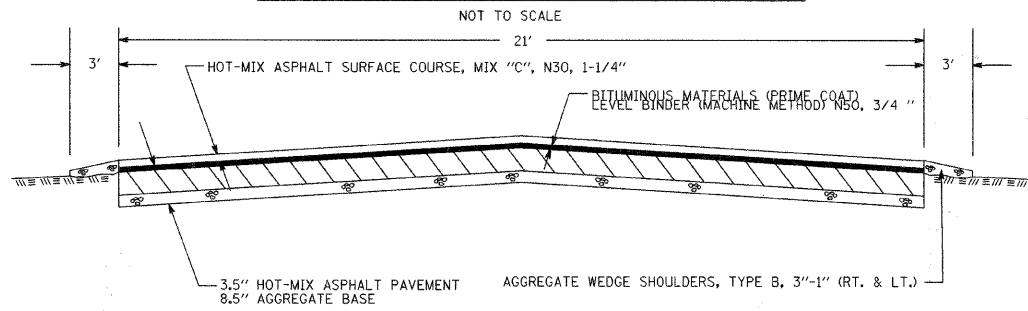


MADISON STREET (FAU 6026)



MAIN STREET (FAU 6027)

PROPOSED TYPICAL PAVEMENT SECTIONS



ETNA ROAD (FAU 6050)

SUMMARY OF QUANTITIES

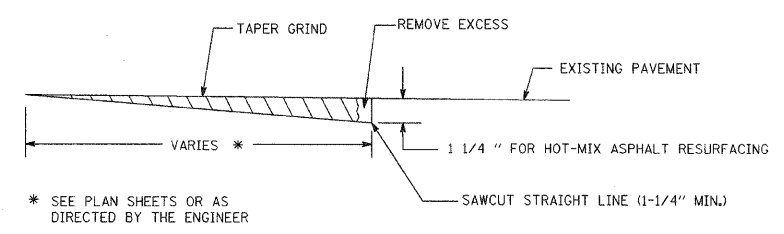
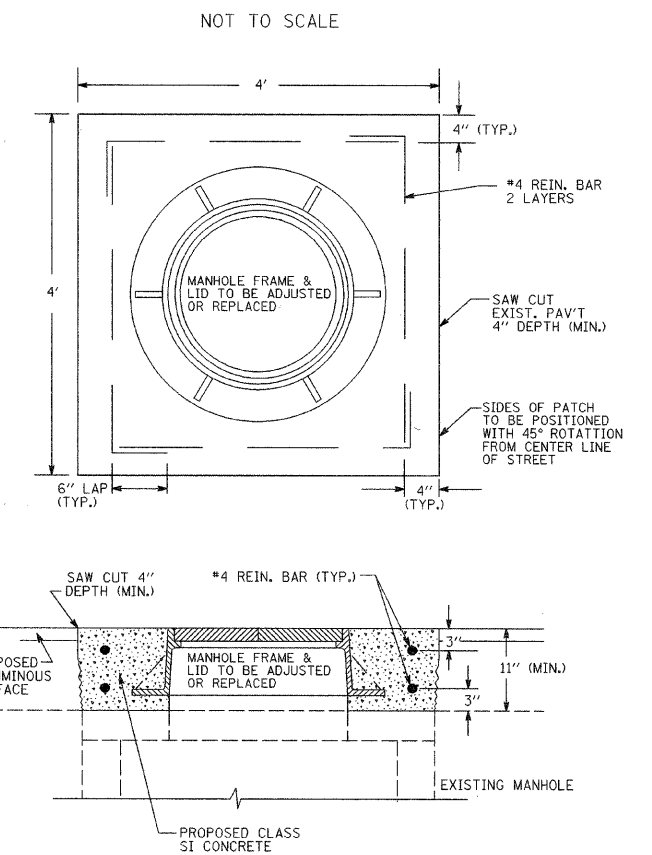
CODE NUMBER	PAY ITEM	UNIT	QUANTITY
40300100	BITUMINOUS MATERIALS (PRIME COAT)	GALLON	3,686
* 40600300	AGGREGATE (PRIME COAT)	TON	43
* 40600400	MIXTURE FOR CRACKS, JOINTS, AND FLANGWAYS	TON	19
* 40600625	LEVELING BINDER (MACHINE METHOD), N50	TON	1,691
* 40600982	HOT-MIX ASPHALT SURFACE REMOVAL - BUTT JOINT	SQUARE YARD	1,390
* 40600990	TEMPORARY RAMP	SQUARE YARD	135
40603000	HOT-MIX ASPHALT BINDER COURSE, IL-12.5, N50	TON	261
* 40603305	HOT-MIX ASPHALT SURFACE COURSE, MIX 'C', N30	TON	1,108
* 40603335	HOT-MIX ASPHALT SURFACE COURSE, MIX 'D', N50	TON	1,833
* 44001005	HOT-MIX ASPHALT SURFACE REMOVAL	SQUARE YARD	17,515
* 44000198	HOT-MIX ASPHALT SURFACE REMOVAL, VARIABLE DEPTH	SQUARE YARD	2,939
* 48102100	AGGREGATE WEDGE SHOULDER, TYPE B	TON	494
* 60255800	MANHOLES TO BE ADJUSTED WITH NEW TYPE 1 FRAME, CLOSED LID	EACH	2
* 60266600	VALVE BOXES TO BE ADJUSTED	EACH	8
* 60300350	MANHOLE FRAMES TO BE ADJUSTED	EACH	15
67100100	MOBILIZATION	LUMP SUM	1
Δ 78000100	THERMOPLASTIC PAVEMENT MARKING - LETTERS AND SYMBOLS	SQUARE FOOT	634
Δ 78000200	THERMOPLASTIC PAVEMENT MARKING - LINE 4"	FOOT	11,497
Δ 78000400	THERMOPLASTIC PAVEMENT MARKING - LINE 6"	FOOT	2,240
Δ 78000650	THERMOPLASTIC PAVEMENT MARKING - LINE 24"	FOOT	510
Δ * 88600600	DETECTOR LOOP REPLACEMENT	FOOT	458
X440A200	PORTLAND CEMENT CONCRETE SURFACE REMOVAL (COLD MILLING)	SQUARE YARD	19
Z0048665	RAILROAD PROTECTIVE LIABILITY INSURANCE		
	L SUM		1

* SEE SPECIAL PROVISIONS
Δ SPECIALTY ITEMS

PAVEMENT DESIGN

	HMA BINDER COURSE	HMA LEVEL BINDER	HMA SURFACE < 5,000 ADT	HMA SURFACE > 5,000 ADT
PG Grade	PG64-22	PG64-22	PG58-22	PG64-22
Design Air Voids @ N50	4.0%	4.0%	3.0%	4.0%
Mixture Composition	IL 12.5	IL 9.5	IL 9.5L	IL 9.5
Friction Aggregate			Mixture C	Mixture D
Density Test Method	Nuclear/ Cores	Satisfaction of Engineer	Nuclear/ Cores	Nuclear/ Cores

DETAIL FOR MANHOLE ADJUSTMENT



BUTT JOINT DETAIL

LEGEND

- ROAD CENTERLINE
- R.O.W. LINE
- EDGE OF BITUMINOUS ROAD
- WATER VALVE
- FIRE HYDRANT
- MANHOLE
- CONCRETE SURFACE
- GRAVEL SURFACE
- HOT-MIX ASPHALT SURFACE REMOVAL
- THROUGH/RIGHT TURN ARROW
- THROUGH/LEFT TURN ARROW
- RIGHT TURN ARROW
- LEFT TURN ARROW

RENWICK & ASSOCIATES, INC.

228 West Main Street
Ottawa, Illinois 61350
TEL: 815-434-3200
FAX: 815-434-3968

