

STATE OF ILLINOIS
 DEPARTMENT OF TRANSPORTATION
 DIVISION OF HIGHWAYS

F.A. RTE.	SECTION	COUNTY
301	09-00004-00-LT	GRUNDY

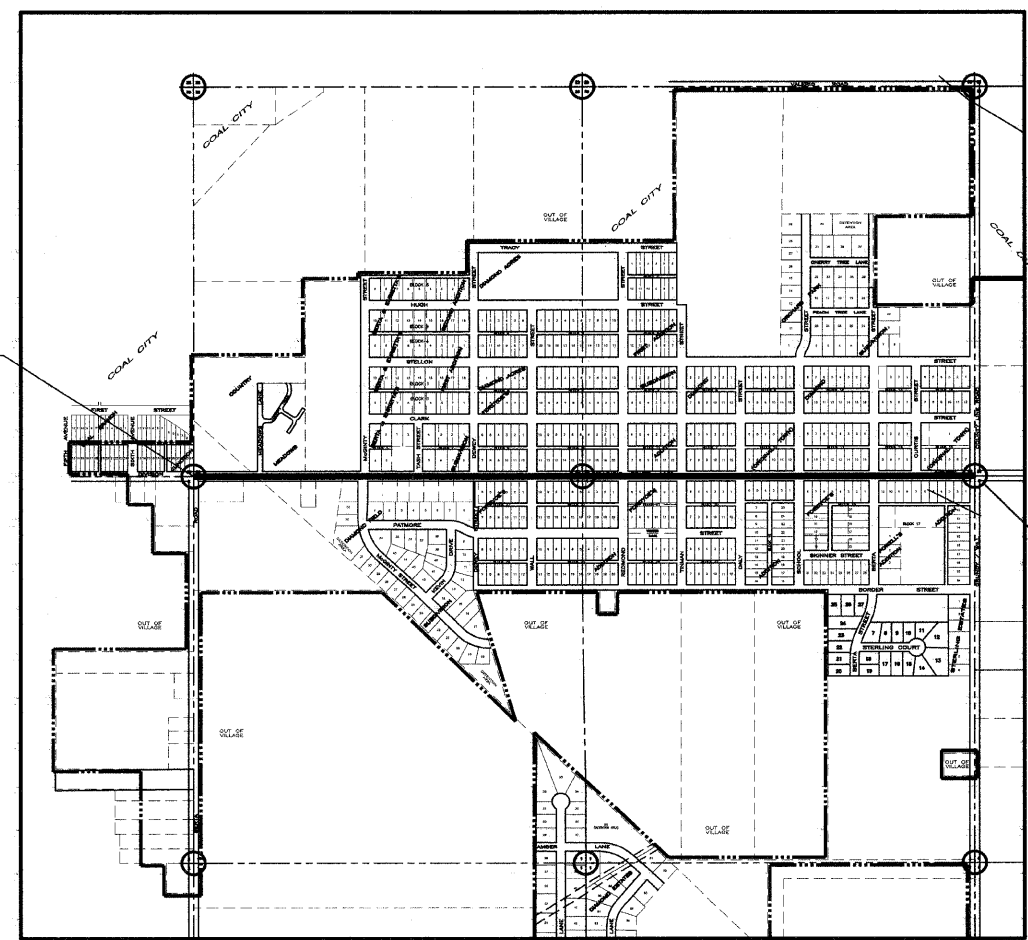
CONTRACT NO. 87442

PROPOSED
LOCAL AGENCY IMPROVEMENT
AMERICAN RECOVERY AND REINVESTMENT ACT AND
ILLINOIS TRANSPORTATION ENHANCEMENT PROGRAM
VILLAGE OF DIAMOND
F.A.S. ROUTE 301 (IL 113)
SECTION 09-00004-00-LT
PROJECT ARA-00D3 (059)
JOB NO. C-93-042-10
INSTALL STREET LIGHTS



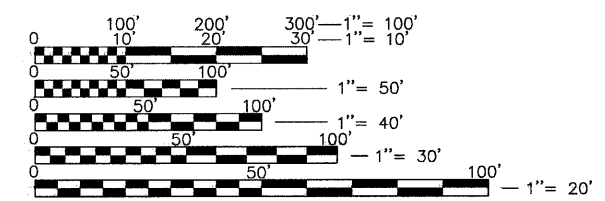
INDEX OF SHEETS
 1 COVER
 2-3 SUMMARY OF QUANTITIES AND DETAILS
 4-12 PLAN SHEETS

STANDARDS
 000001-05 STANDARD SYMBOLS, ABBREVIATIONS, & PATTERNS
 701001-02 OFF-ROAD OPERATIONS, 2L, 2W, MORE THAN 4.5m (15') AWAY
 701006-03 OFF-ROAD OPERATIONS, 2L, 2W, 4.5m (15') TO 600mm FROM PAVEMENT EDGE
 701501-05 URBAN LANE CLOSURE, 2L, 2W, UNDIVIDED
 701901-01 TRAFFIC CONTROL DEVICES
 836001 LIGHT POLE FOUNDATION



PROJECT BEGINS
 BERTA ROAD

PROJECT ENDS
 COUNTY LINE ROAD



FULL SIZE PLANS HAVE BEEN PREPARED USING STANDARD ENGINEERING SCALES. REDUCED SIZED PLANS WILL NOT CONFORM TO STANDARD SCALES. IN MAKING MEASUREMENTS ON REDUCED PLANS, THE ABOVE SCALES MAY BE USED.

J.U.L.I.E.
 JOINT UTILITY LOCATION INFORMATION FOR EXCAVATION
 1-800-892-0123
 OR 811

LOCATION MAP
 N.T.S.

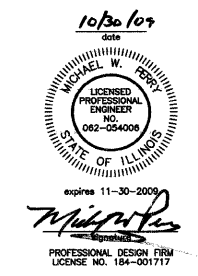
GROSS/NET LENGTH OF IMPROVEMENT: 5361 FT. / 1.02 MILES

STATE OF ILLINOIS
 DEPARTMENT OF TRANSPORTATION
 DIVISION OF HIGHWAYS

APPROVED Oct. 30, 2009
Jan O'Brien
 PRESIDENT, VILLAGE OF DIAMOND

PASSED Nov. 4, 2009
Kenneth R. Lantz
 DISTRICT 3 ENGINEER OF LOCAL ROADS AND STREETS

RELEASED FOR BID Nov. 4, 2009
 ON LIMITED REVIEW
George F. Ryan
 DEPUTY DIRECTOR OF HIGHWAYS, REGION 2 ENGINEER



PRINTED BY THE AUTHORITY
 OF THE STATE OF ILLINOIS

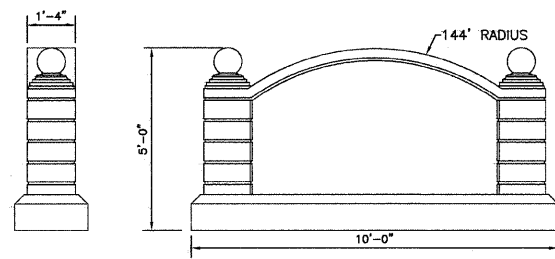
SCALE: AS NOTED	SHEET 1
FILE NO.: 6978-00	OF 12

CONTRACT NO. 87442

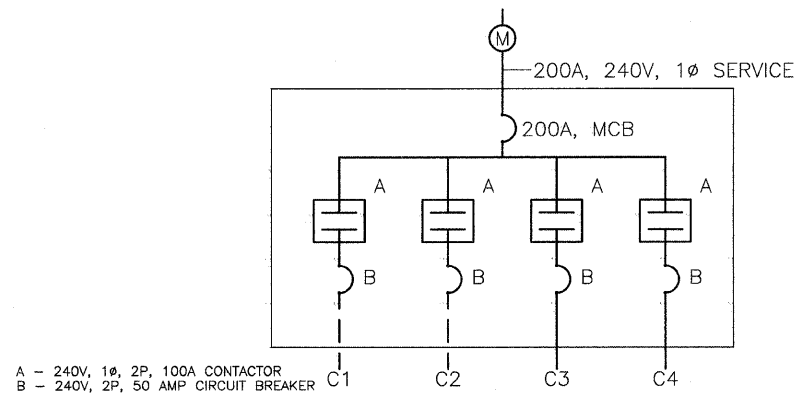
GENERAL NOTES

- 1 THE CONTRACTOR SHALL VERIFY THE EXACT LOCATION OF ALL UNDERGROUND UTILITIES PRIOR TO BEGINNING CONSTRUCTION (J.U.L.I.E. 800/892-0123).
- 2 ALL CONDUIT IN TRENCH SHALL BE P.V.C. CONDUIT ATTACHED TO STRUCTURES SHALL BE GALVANIZED STEEL.
- 3 A 1/4" DIAMETER CONTINUOUS NYLON ROPE SHALL BE FURNISHED AND LEFT IN PLACE IN ALL CONDUITS BETWEEN HANDHOLES AND FOUNDATIONS AS INCIDENTAL TO THE RESPECTIVE CONDUIT PAY ITEM.
- 4 NO ADDITIONAL COMPENSATION WILL BE ALLOWED FOR PLACING CONDUIT AT GREATER THAN 2 FEET MINIMUM DEPTH TO AVOID OBSTACLES SUCH AS UNDERGROUND UTILITIES.
- 5 THE CONTRACTOR IS RESPONSIBLE FOR THE COST OF UNCOVERING OR HAND DIGGING AROUND UTILITIES, AS NECESSARY, INCIDENTAL TO THE CONDUIT PAY ITEM.
- 6 ALL PUSHED CONDUIT SHALL HAVE A MINIMUM COVER OF 2'-6".
- 7 EXISTING LIGHTING UNITS SHALL REMAIN FULLY OPERATIONAL DURING AND AFTER CONSTRUCTION. ANY DAMAGE SUSTAINED TO THE EXISTING LIGHTING SYSTEM, INCLUDING LIGHT POLES, LUMINAIRES, CONTROLLERS, CONDUIT, AND ELECTRICAL CABLE, SHALL BE REPAIRED IN KIND AT THE SOLE EXPENSE OF THE CONTRACTOR.

QUANTITIES		CONST. CODE Y030-1E	UNIT
67100100	MOBILIZATION	1	L.SUM
81012600	CONDUIT IN TRENCH, 2" DIA., PVC	16	FOOT
81020500	CONDUIT PUSHED, 2" DIA., INTERMEDIATE METAL	56	FOOT
81306200	DRILL EXISTING JUNCTION BOX	1	EACH
81702120	ELECTRIC CABLE IN CONDUIT, 600V (XLP-TYPE USE) 1/C NO. 8	72	FOOT
81702140	ELECTRIC CABLE IN CONDUIT, 600V (XLP-TYPE USE) 1/C NO. 4	144	FOOT
81900200	TRENCH AND BACKFILL FOR ELECTRICAL WORK	16	FOOT
83600120	LIGHT POLE FOUNDATION (SPECIAL)	10	FOOT
X8950130	MODIFY EXISTING LIGHTING CONTROLLER	4	EACH
XX001164	LUMINAIRE, HIGH PRESSURE SODIUM, SPECIAL	20	EACH
XX004622	REMOVAL OF LUMINAIRE, SALVAGE	20	EACH
XX005642	GATEWAY MONUMENT SIGN, COMPLETE	1	EACH
XX007393	DECORATIVE LIGHT TYPE A	11	EACH
XX007394	DECORATIVE LIGHT TYPE B	46	EACH
XX007396	DECORATIVE LIGHT TYPE C	1	EACH



GATEWAY MONUMENT SIGN



A - 240V, 1Ø, 2P, 100A CONTACTOR
 B - 240V, 2P, 50 AMP CIRCUIT BREAKER

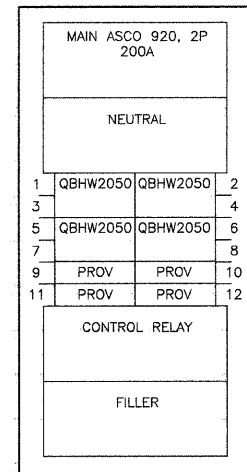
LIGHTING CONTROL PANEL NO. 1
 CIRCUIT NO. 1 : LIGHTS 1-5
 CIRCUIT NO. 2 : LIGHTS 6-11
 CIRCUIT NO. 3 : LIGHTS 39-42
 CIRCUIT NO. 4 : LIGHTS 43-48

LIGHTING CONTROL PANEL NO. 2
 CIRCUIT NO. 1 : LIGHTS 12-16
 CIRCUIT NO. 2 : LIGHTS 17-21
 CIRCUIT NO. 3 : LIGHTS 49-53
 CIRCUIT NO. 4 : LIGHTS 54-58

LIGHTING CONTROL PANEL NO. 3
 CIRCUIT NO. 1 : LIGHTS 22-26
 CIRCUIT NO. 2 : LIGHTS 27-33
 CIRCUIT NO. 3 : LIGHTS 59-64
 CIRCUIT NO. 4 : LIGHTS 65-70

LIGHTING CONTROL PANEL NO. 4
 CIRCUIT NO. 1 : LIGHTS 34-38
 CIRCUIT NO. 2 : LIGHTS 71-76

CONTROL PANEL SCHEMATIC



EXISTING LIGHTING CONTROL PANEL

EXISTING LIGHTING APPURTENANCES ELECTRICAL NOTES

Service Voltage: 120/240V 1Ph 3W Enclosure: NEMA 4
 Bus Rating & Type: 250A Copper
 Ground Bar: Std. Bolted Copper, Cu cable only
 S.C. Rating: 22k A.I.C. Fully Rated

Main Device Type: Main ASCO, Top Cable Entry - UL Rated
 Main Terminals: Mechanical - (1) #6-350 kcmil (Cu/Al)
 Neutral Terminals: Mechanical - (1) #6-350 kcmil (Cu/Al)
 Box Catalog No.: N42472
 Trim: Complete Enclosure (Included) Surface Mounted

Box Dimensions: 72" H x 24" W x 6" D
 Min. Gutter Size: Top = 5.5" Bottom = 5.5"
 Left = 4" Right = 4"

Panel ID Nameplate: (1) s-2
 Type: Plastic, adhesive-backed (2)
 Color: Black with White Letters (3)

Additional Panel Features and Modifications:

Copper Neutral
 Trim Lock: Padlockable Hasps
 Circuit Directory: Plastic Sleeve with Card
 ASCO Control Relay: 2-Wire Control Relay
 ASCO Control Relay Control Power: Internal 120Vac

Meter Base: 200 AMP - 4 Terminal - Meter Main Pedestal - 1Ph
 Milbank Cat. No.: U8980-0-KK-LP, Horn Type Bypass
 4/0 AWG Line Conn. (CU/AL), Low Profile W/ 2 Pole Plug in
 Circuit Breakers - Cat. No. WB/ 2200

Electronic Time Switches: Intermatic Model No. ET70115CR

Electrical Conductors: 2 - #4 AWG - THWN
 2 - #8 AWG - THWN

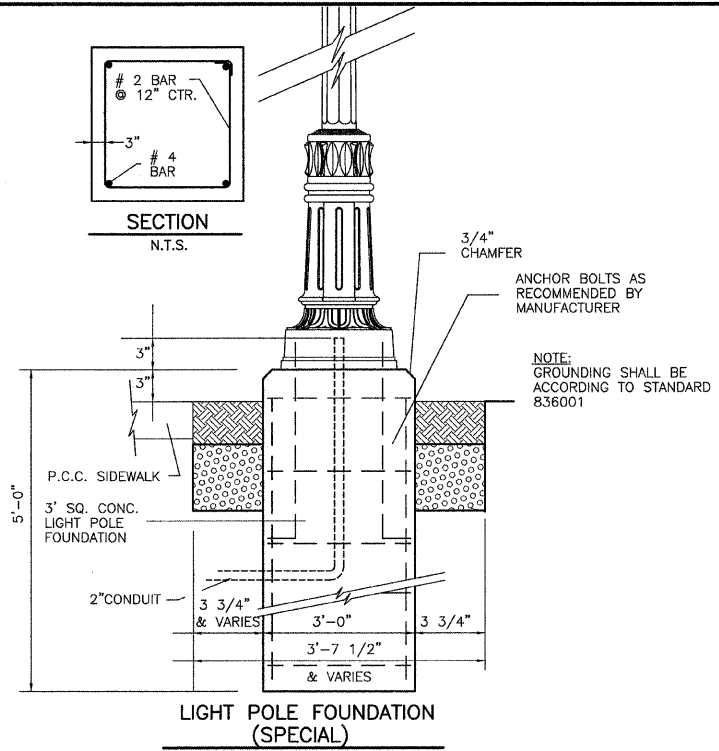
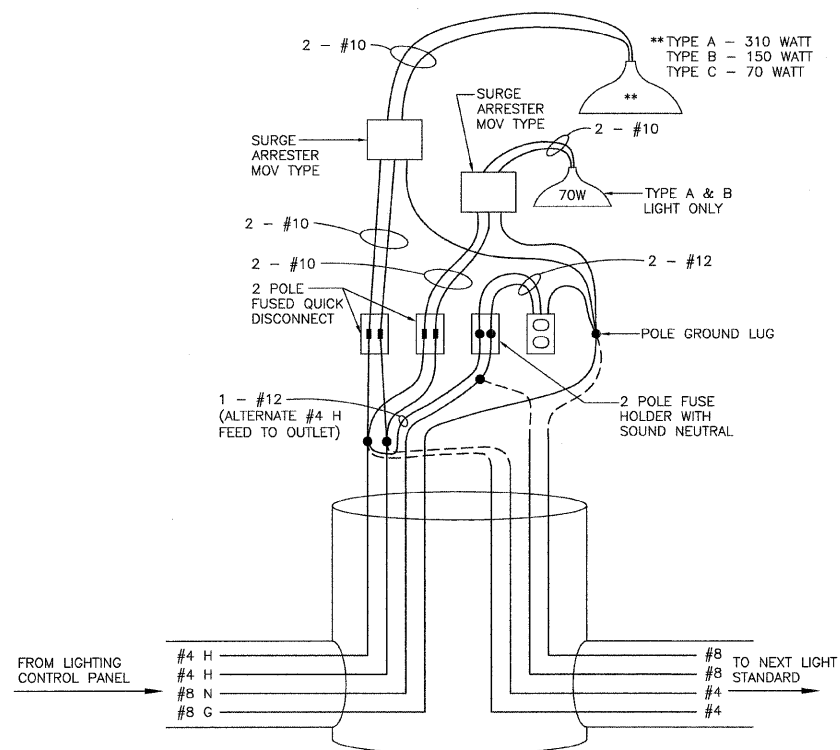
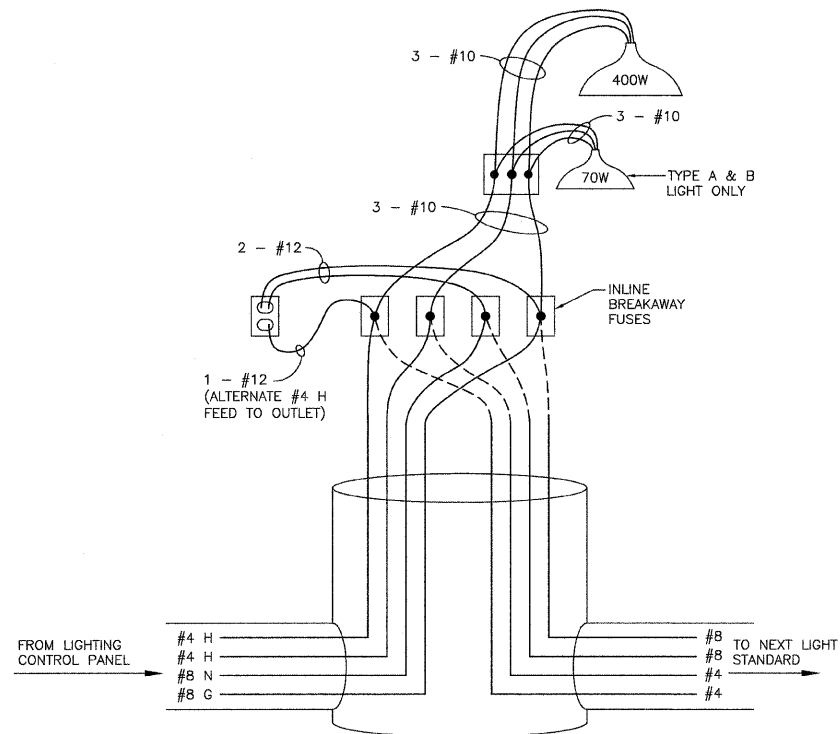
Breakaway In-Line Fuse Kits: Dual In-Line Phased Fuse Breakaway D65
 Dual In-Line Phased Neutral Fused Breakaway D65 PN

Street Lighting Kit: Innovative Power Products SLK Series Cat. No. SLK02

Electrical Conduit: PVC - Schedule 40 - 1"

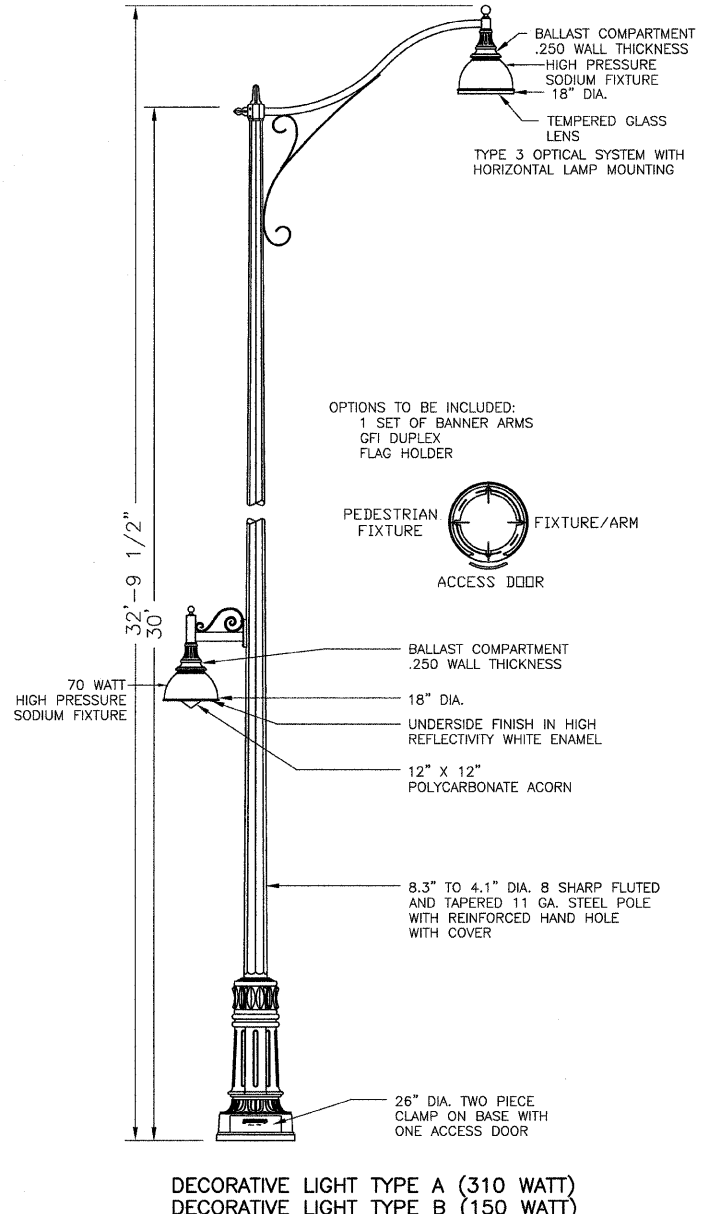
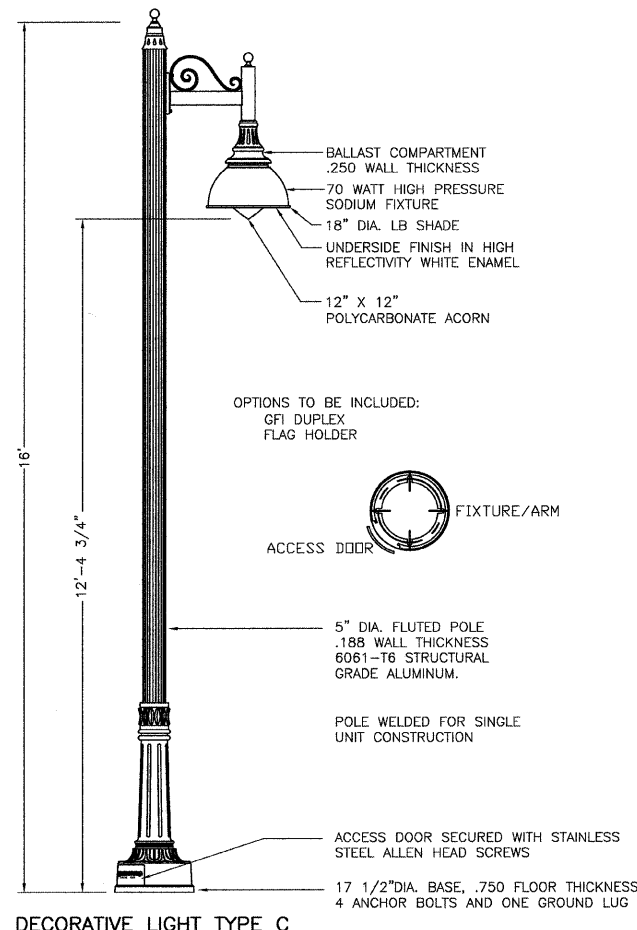
Electrical Junction Boxes:

W/Light Standard Concrete Bases - Hoffman A-12R126 NEMA 3R Enclosure
 W/O Light Standard Bases - Hoffman Box - PC1212BA12, Cover - PC12120A17



POLE LOADING STATEMENT:

UNITS SHALL BE MANUFACTURED IN ACCORDANCE WITH THE 2001 AASHTO STANDARD SPECIFICATION FOR STRUCTURAL SUPPORTS FOR HIGHWAY SIGNS, LUMINAIRES, AND TRAFFIC SIGNALS. DESIGN WIND VELOCITY SHALL BE 90 MPH WITH A MINIMUM DESIGN LIFE OF 50 YEARS. IN ADDITION TO THE AASHTO CRITERIA, THE POLES SHALL BE DESIGNED FOR THE WORST CASE LOADING CONDITION SET FORTH IN IDOT SPECIFICATION 1069.01(q)(1) FOR A DESIGN LUMINAIRE HAVING AN EPA OF 1.6 SQ. FT. AND A MAXIMUM WEIGHT OF 75 LBS.

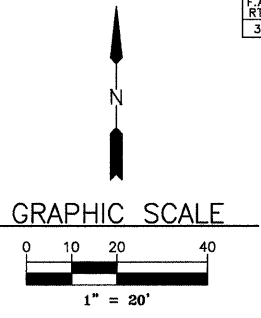


DRAWN BY: RGP/JMT CHECKED BY: MWP/DJD	0978-00 CAD/DWG: DETAILS BASE DATE: 09-24-09	<table border="1"> <tr> <th colspan="2">REVISIONS</th> </tr> <tr> <th>DATE</th> <th>BY</th> </tr> <tr> <td> </td> <td> </td> </tr> </table>	REVISIONS		DATE	BY			CHAMLIN ASSOCIATES PERU MORRIS ILLINOIS	VILLAGE OF DIAMOND DIVISION STREET LIGHTING IMPROVEMENTS - 2010	SUMMARY OF QUANTITIES AND DETAILS	SCALE: AS NOTED FILE NO.: 6978-00	SHEET 3 OF 12
REVISIONS													
DATE	BY												

LEGEND

- | | |
|---|--|
| <ul style="list-style-type: none"> ☼-○-☼ PROPOSED ORNAMENTAL LIGHTING UNIT COMPLETE ☼ EXISTING LIGHT □ EXISTING BURIED WIRING JUNCTION BOX ○ EXISTING CATCH BASIN ○ EXISTING UTILITY POLE ○ EXISTING INLET ○ EXISTING MANHOLE —G— EXISTING GAS —W— EXISTING WATER A DECORATIVE LIGHT TYPE A B DECORATIVE LIGHT TYPE B C DECORATIVE LIGHT TYPE C | <ul style="list-style-type: none"> —T— EXISTING TELEPHONE —E— EXISTING ELECTRICAL —G— EXISTING GAS —OE— EXISTING OVERHEAD ELECTRICAL — EXISTING R.O.W. — EXISTING PIPE CULVERT — EXISTING STORMSEWER — EXISTING SANITARY SEWER |
|---|--|

* REMOVAL OF LUMINAIRE, SALVAGE & LUMINAIRE, HIGH PRESSURE SODIUM SPECIAL (310 WATT)



LIGHT NO. 1
(EXISTING)
STA. 107+95
21' LT.

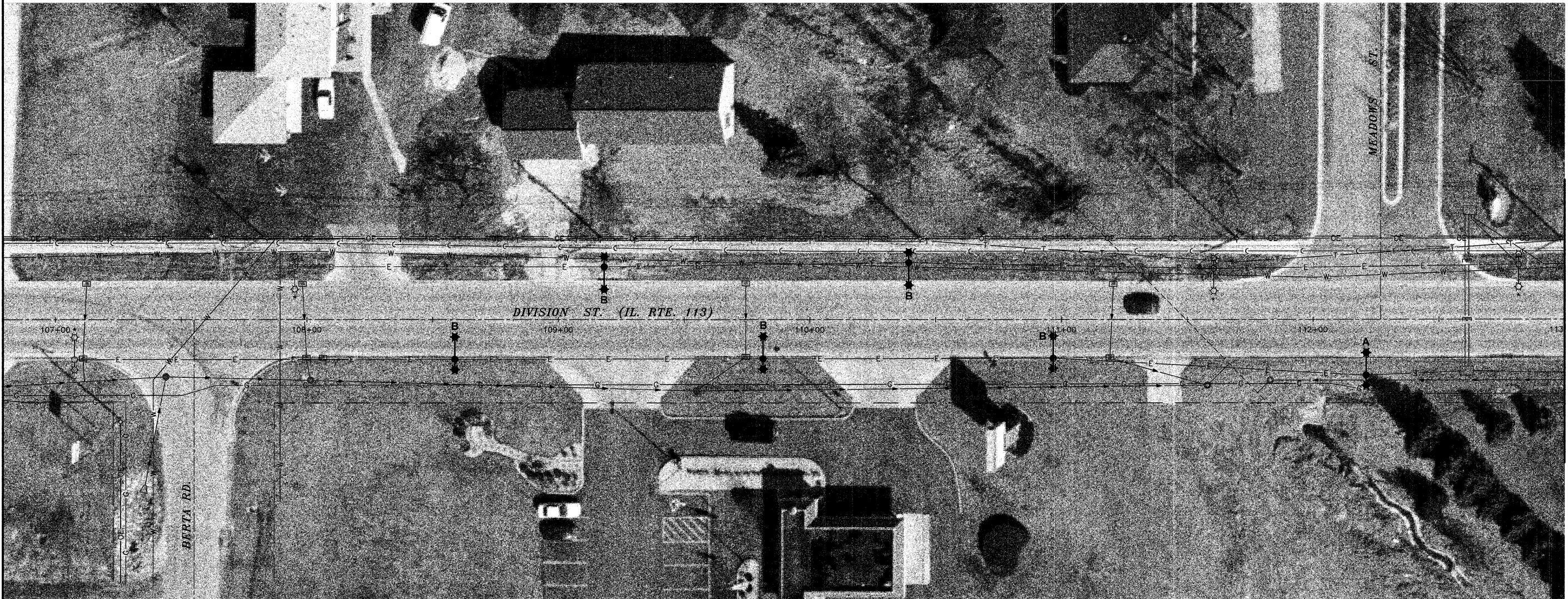
LIGHT NO. 2
(PROPOSED)
STA. 109+18
21' LT.

LIGHT NO. 3
(PROPOSED)
STA. 110+39
23' LT.

LIGHT NO. 4
(EXISTING)
STA. 111+61
20' LT.

LIGHTING CONTROL PANEL NO. 1
CONTROLS LIGHTS 1-5, 6-11,
39-42 AND 43-48

LIGHT NO. 5
(PROPOSED)
STA. 112+82
22' LT.



LIGHT NO. 39A
(EXISTING)
STA. 107+08
16' RT.

LIGHT NO. 39
(PROPOSED)
STA. 108+59
16' RT.

LIGHT NO. 40
(PROPOSED)
STA. 109+81
16' RT.

LIGHT NO. 41
(PROPOSED)
STA. 110+97
15' RT.

LIGHT NO. 42
(PROPOSED)
STA. 112+21
22' RT.

MATCH LINE - STA. 113+00

NOTE: AERIAL PHOTOGRAPHS SUPPLIED BY THE SIDWELL COMPANY

DRAWN BY: RGP/JMT	6978-00 CAD/DWG: P107-113 BASE
CHECKED BY: MWP/DJD	DATE: 09-24-09

REVISIONS	
DATE	BY

CHAMLIN ASSOCIATES
PERU MORRIS ILLINOIS

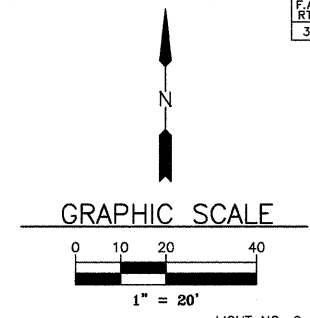
**VILLAGE OF DIAMOND
DIVISION STREET LIGHTING IMPROVEMENTS - 2010**

PLAN SHEET - STA. 107+00 TO STA. 113+00

SCALE: AS NOTED	SHEET 4
FILE NO.: 6978-00	OF 12

LEGEND

- | | |
|---|--|
| <ul style="list-style-type: none"> ☼-○-☼ PROPOSED ORNAMENTAL LIGHTING UNIT COMPLETE ☼-○-☼ EXISTING LIGHT □ EXISTING BURIED WIRING JUNCTION BOX ○ EXISTING CATCH BASIN ○ EXISTING UTILITY POLE ○ EXISTING INLET ○ EXISTING MANHOLE —G— EXISTING GAS —W— EXISTING WATER A DECORATIVE LIGHT TYPE A B DECORATIVE LIGHT TYPE B C DECORATIVE LIGHT TYPE C | <ul style="list-style-type: none"> —T— EXISTING TELEPHONE —E— EXISTING ELECTRICAL —G— EXISTING GAS —OE— EXISTING OVERHEAD ELECTRICAL — EXISTING R.O.W. - - - EXISTING PIPE CULVERT - - - EXISTING STORMSEWER - - - EXISTING SANITARY SEWER |
|---|--|
- * REMOVAL OF LUMINAIRE, SALVAGE & LUMINAIRE, HIGH PRESSURE SODIUM SPECIAL (310 WATT)

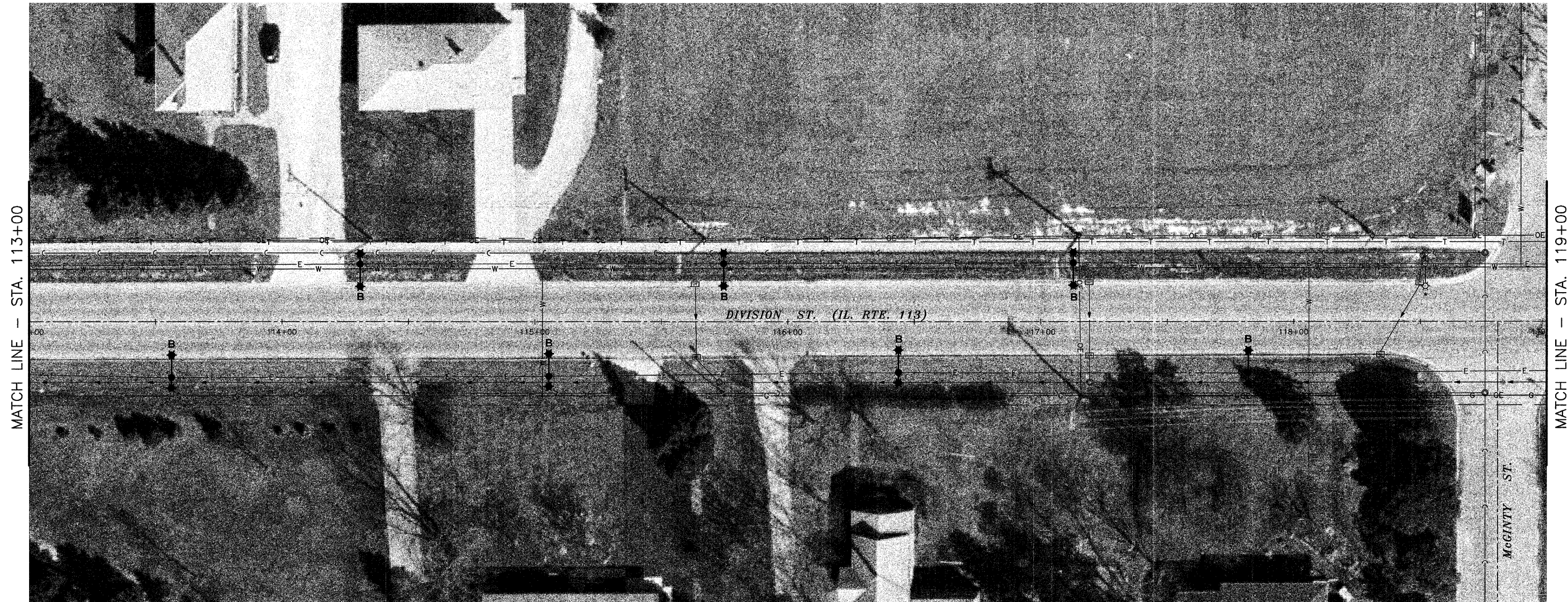


LIGHT NO. 6
(PROPOSED)
STA. 114+31
23' LT.

LIGHT NO. 7
(PROPOSED)
STA. 115+75
23' LT.

LIGHT NO. 8
(PROPOSED)
STA. 117+13
23' LT.

LIGHT NO. 9
(EXISTING)
STA. 118+52
23' LT.



MATCH LINE - STA. 113+00

MATCH LINE - STA. 119+00

LIGHT NO. 43
(PROPOSED)
STA. 113+56
22' RT.

LIGHT NO. 44
(PROPOSED)
STA. 115+05
22' RT.

LIGHT NO. 45
(PROPOSED)
STA. 116+44
20' RT.

LIGHT NO. 46
(PROPOSED)
STA. 117+82
20' RT.

NOTE: AERIAL PHOTOGRAPHS SUPPLIED BY THE SIDWELL COMPANY

DRAWN BY: RGP/JMT	6978-00 CAD/DWG: P113-119 BASE
CHECKED BY: MWP/DJD	DATE: 09-24-09

REVISIONS	
DATE	BY



PERU MORRIS
ILLINOIS

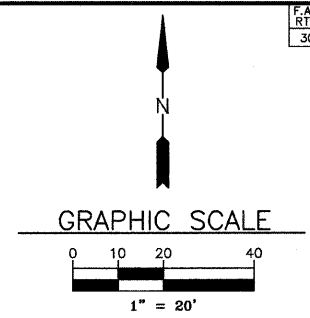
VILLAGE OF DIAMOND
DIVISION STREET LIGHTING IMPROVEMENTS - 2010

PLAN SHEET - STA. 113+00 TO STA. 119+00

SCALE: AS NOTED	SHEET 5
FILE NO.: 6978-00	OF 12

LEGEND

- | | |
|---|--|
| <ul style="list-style-type: none"> ☼-☼-☼ PROPOSED ORNAMENTAL LIGHTING UNIT COMPLETE ☼-○-☼ EXISTING LIGHT □ EXISTING BURIED WIRING JUNCTION BOX ○ EXISTING CATCH BASIN ○ EXISTING UTILITY POLE □ EXISTING INLET ○ EXISTING MANHOLE G EXISTING GAS W EXISTING WATER A DECORATIVE LIGHT TYPE A B DECORATIVE LIGHT TYPE B C DECORATIVE LIGHT TYPE C | <ul style="list-style-type: none"> T EXISTING TELEPHONE E EXISTING ELECTRICAL G EXISTING GAS OE EXISTING OVERHEAD ELECTRICAL --- EXISTING R.O.W. --- EXISTING PIPE CULVERT --- EXISTING STORMSEWER --- EXISTING SANITARY SEWER |
|---|--|
- * REMOVAL OF LUMINAIRE, SALVAGE & LUMINAIRE, HIGH PRESSURE SODIUM SPECIAL (310 WATT)



LIGHT NO. 10
(PROPOSED)
STA. 120+04
22' LT.

LIGHT NO. 11
(PROPOSED)
STA. 121+50
23' LT.

LIGHT NO. 12
(EXISTING)
STA. 122+95
23' LT.

LIGHT NO. 13
(PROPOSED)
STA. 124+45
23' LT.



LIGHT NO. 47
(PROPOSED)
STA. 119+31
19' RT.

LIGHT NO. 48
(PROPOSED)
STA. 120+77
20' RT.

LIGHT NO. 49
(PROPOSED)
STA. 122+22
19' RT.

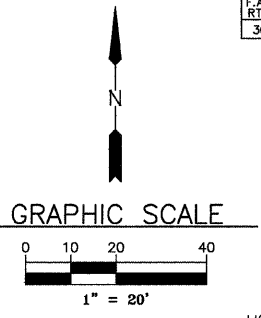
LIGHT NO. 50
(PROPOSED)
STA. 123+70
19' RT.

NOTE: AERIAL PHOTOGRAPHS SUPPLIED BY THE SIDWELL COMPANY

DRAWN BY: RGP/JMT	6978-00 CAD/DWG: P119-125 BASE	REVISIONS			PERU MORRIS ILLINOIS	VILLAGE OF DIAMOND DIVISION STREET LIGHTING IMPROVEMENTS - 2010	PLAN SHEET - STA. 119+00 TO STA. 125+00	SCALE: AS NOTED	SHEET 6
		DATE	BY					FILE NO.: 6978-00	OF 12
CHECKED BY: MWP/DJD	DATE: 09-24-09								

LEGEND

- | | |
|---|--|
| <ul style="list-style-type: none"> ☼-○-☼ PROPOSED ORNAMENTAL LIGHTING UNIT COMPLETE ☼-○-☼ EXISTING LIGHT □ EXISTING BURIED WIRING JUNCTION BOX ○ EXISTING CATCH BASIN ○ EXISTING UTILITY POLE ○ EXISTING INLET ○ EXISTING MANHOLE G EXISTING GAS W EXISTING WATER A B C DECORATIVE LIGHT TYPE A DECORATIVE LIGHT TYPE B DECORATIVE LIGHT TYPE C | <ul style="list-style-type: none"> T EXISTING TELEPHONE E EXISTING ELECTRICAL G EXISTING GAS OE EXISTING OVERHEAD ELECTRICAL EXISTING R.O.W. EXISTING PIPE CULVERT EXISTING STORMSEWER EXISTING SANITARY SEWER |
|---|--|



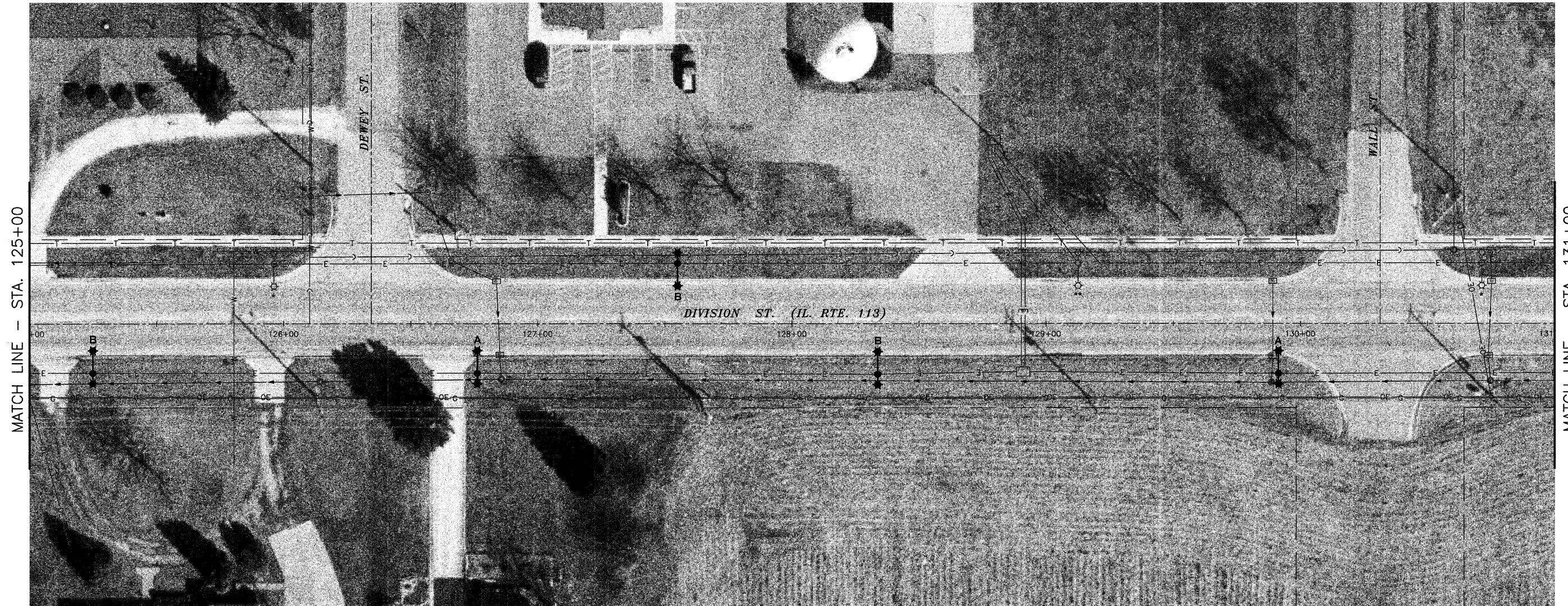
LIGHT NO. 14
(EXISTING)
STA. 125+96
23' LT.

LIGHT NO. 15
(PROPOSED)
STA. 127+55
24' LT.

LIGHTING CONTROL PANEL NO. 2
CONTROLS LIGHTS 12-16, 17-21,
49-53 AND 54-58

LIGHT NO. 16
(EXISTING)
STA. 129+13
24' LT.

LIGHT NO. 17
(EXISTING)
STA. 130+71
24' LT.



LIGHT NO. 51
(PROPOSED)
STA. 125+25
19' RT.

LIGHT NO. 52
(PROPOSED)
STA. 126+76
19' RT.

LIGHT NO. 53
(PROPOSED)
STA. 128+34
20' RT.

LIGHT NO. 54
(PROPOSED)
STA. 129+91
20' RT.

NOTE: AERIAL PHOTOGRAPHS SUPPLIED BY THE SIDWELL COMPANY

DRAWN BY: RGP/JMT	6978-00 CAD/DWG: P125-131 BASE	REVISIONS	
		DATE	BY
CHECKED BY: MWP/DJD	DATE: 09-24-09		

CHAMLIN ASSOCIATES
PERU MORRIS
ILLINOIS

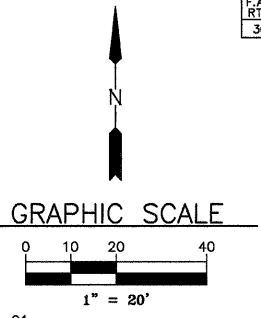
**VILLAGE OF DIAMOND
DIVISION STREET LIGHTING IMPROVEMENTS - 2010**

PLAN SHEET - STA. 125+00 TO STA. 131+00

SCALE: AS NOTED	SHEET 7
FILE NO.: 6978-00	OF 12

LEGEND

- | | |
|---|--|
| <ul style="list-style-type: none"> ☼-○-☼ PROPOSED ORNAMENTAL LIGHTING UNIT COMPLETE ☼-○-☼ EXISTING LIGHT □ EXISTING BURIED WIRING JUNCTION BOX ○ EXISTING CATCH BASIN ○ EXISTING UTILITY POLE ○ EXISTING INLET ○ EXISTING MANHOLE G EXISTING GAS W EXISTING WATER A DECORATIVE LIGHT TYPE A B DECORATIVE LIGHT TYPE B C DECORATIVE LIGHT TYPE C | <ul style="list-style-type: none"> T EXISTING TELEPHONE E EXISTING ELECTRICAL G EXISTING GAS OE EXISTING OVERHEAD ELECTRICAL — EXISTING R.O.W. — EXISTING PIPE CULVERT — EXISTING STORMSEWER — EXISTING SANITARY SEWER |
|---|--|
- * REMOVAL OF LUMINAIRE, SALVAGE & LUMINAIRE, HIGH PRESSURE SODIUM SPECIAL (310 WATT)

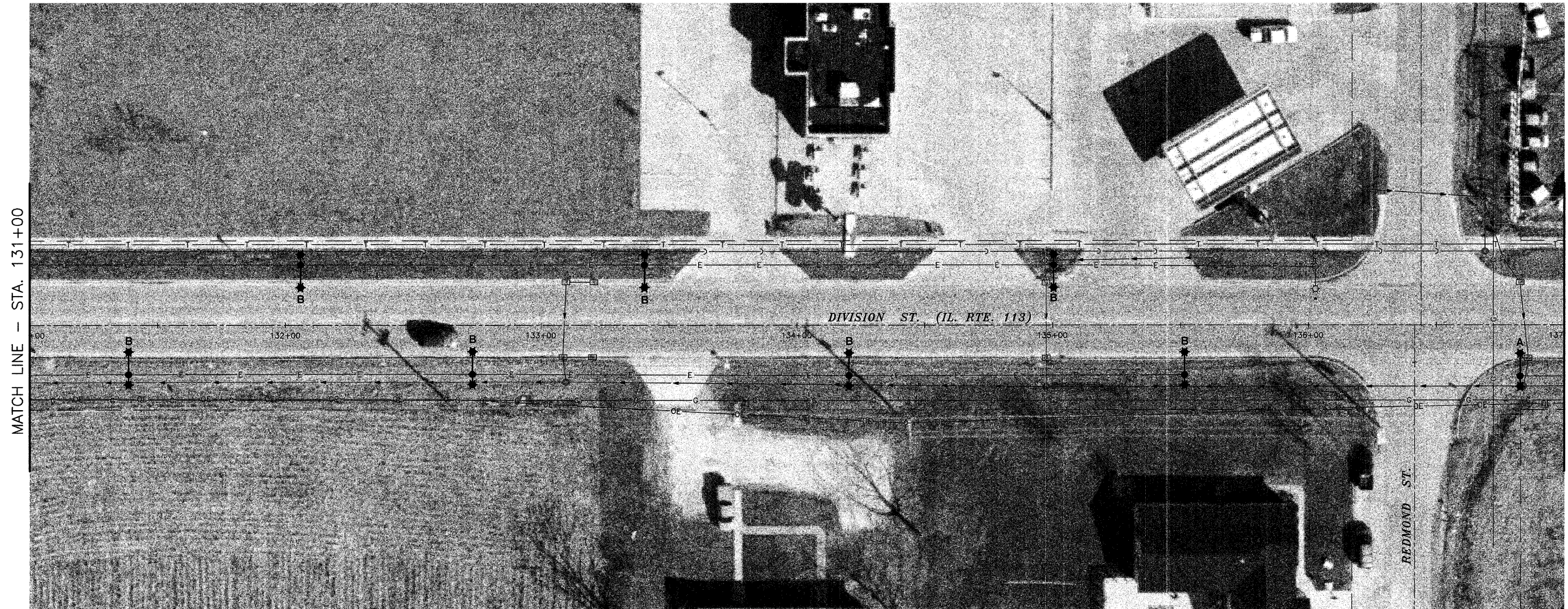


LIGHT NO. 18
(PROPOSED)
STA. 132+06
24' LT.

LIGHT NO. 19
(PROPOSED)
STA. 133+40
24' LT.

LIGHT NO. 20
(PROPOSED)
STA. 135+00
24' LT.

LIGHT NO. 21
(EXISTING)
STA. 136+03
23' LT.



MATCH LINE - STA. 131+00

MATCH LINE - STA. 137+00

LIGHT NO. 55
(PROPOSED)
STA. 131+39
19' RT.

LIGHT NO. 56
(PROPOSED)
STA. 132+73
19' RT.

LIGHT NO. 57
(PROPOSED)
STA. 134+20
20' RT.

LIGHT NO. 58
(PROPOSED)
STA. 135+52
19' RT.

LIGHT NO. 59
(PROPOSED)
STA. 136+83
20' RT.

NOTE: AERIAL PHOTOGRAPHS SUPPLIED BY THE SIDWELL COMPANY

DRAWN BY: RGP/JMT
CHECKED BY: MWP/DJD

6978-00
CAD/DWG: P131-137
BASE
DATE: 09-24-09

REVISIONS	
DATE	BY

CHAMLIN ASSOCIATES

PERU MORRIS
ILLINOIS

**VILLAGE OF DIAMOND
DIVISION STREET LIGHTING IMPROVEMENTS - 2010**

PLAN SHEET - STA. 131+00 TO STA. 137+00

SCALE: AS NOTED

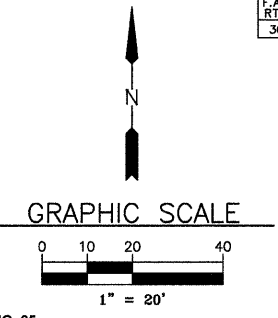
SHEET 8

FILE NO.: 6978-00

OF 12

LEGEND

- | | |
|---|--|
| <ul style="list-style-type: none"> ☼-○-☼ PROPOSED ORNAMENTAL LIGHTING UNIT COMPLETE ☼-○-☼ EXISTING LIGHT □ EXISTING BURIED WIRING JUNCTION BOX ○ EXISTING CATCH BASIN ○ EXISTING UTILITY POLE ○ EXISTING INLET ○ EXISTING MANHOLE —G— EXISTING GAS —W— EXISTING WATER A DECORATIVE LIGHT TYPE A B DECORATIVE LIGHT TYPE B C DECORATIVE LIGHT TYPE C | <ul style="list-style-type: none"> —T— EXISTING TELEPHONE —E— EXISTING ELECTRICAL —G— EXISTING GAS —OE— EXISTING OVERHEAD ELECTRICAL — EXISTING R.O.W. — EXISTING PIPE CULVERT — EXISTING STORMSEWER — EXISTING SANITARY SEWER |
|---|--|
- * REMOVAL OF LUMINAIRE, SALVAGE & LUMINAIRE, HIGH PRESSURE SODIUM SPECIAL (310 WATT)

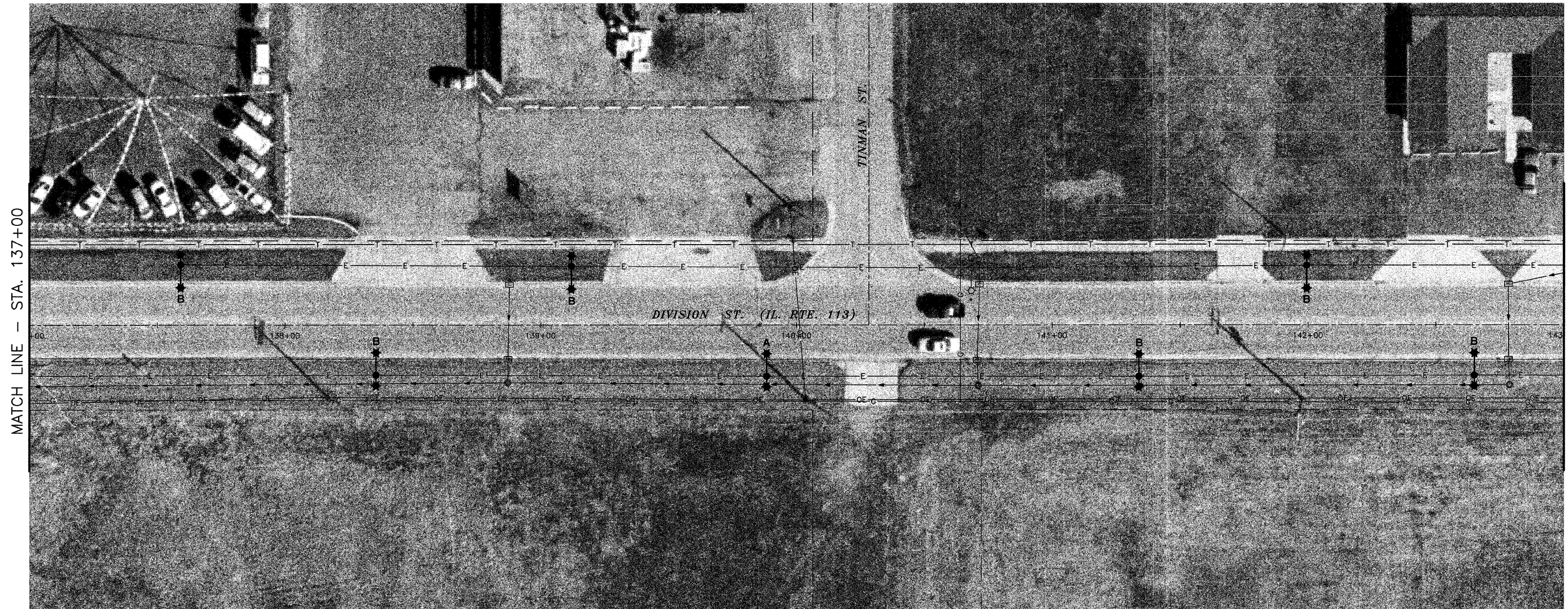


LIGHT NO. 22
(PROPOSED)
STA. 137+59
24' LT.

LIGHT NO. 23
(PROPOSED)
STA. 139+12
23' LT.

LIGHT NO. 24
(EXISTING)
STA. 140+68
22' LT.

LIGHT NO. 25
(PROPOSED)
STA. 141+99
23' LT.



LIGHT NO. 60
(PROPOSED)
STA. 138+36
20' RT.

LIGHT NO. 61
(PROPOSED)
STA. 139+88
20' RT.

LIGHT NO. 62
(PROPOSED)
STA. 141+34
20' RT.

LIGHT NO. 63
(PROPOSED)
STA. 142+65
20' RT.

NOTE: AERIAL PHOTOGRAPHS SUPPLIED BY THE SIDWELL COMPANY

DRAWN BY: RGP/JMT
CHECKED BY: MWP/DJD

6978-00
CAD/DWG: P137-143
BASE
DATE: 09-24-09

REVISIONS	
DATE	BY



PERU MORRIS
ILLINOIS

VILLAGE OF DIAMOND
DIVISION STREET LIGHTING IMPROVEMENTS - 2010

PLAN SHEET - STA. 137+00 TO STA. 143+00

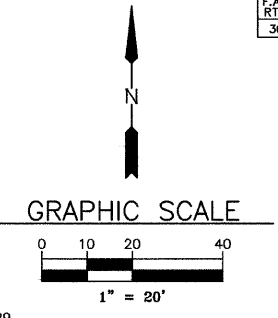
SCALE: AS NOTED
FILE NO.: 6978-00

SHEET 9
OF 12

LEGEND

- | | |
|---|--|
| <ul style="list-style-type: none"> ☼-○-☼ PROPOSED ORNAMENTAL LIGHTING UNIT COMPLETE ☼ EXISTING LIGHT □ EXISTING BURIED WIRING JUNCTION BOX ○ EXISTING CATCH BASIN ○ EXISTING UTILITY POLE ○ EXISTING INLET ○ EXISTING MANHOLE G EXISTING GAS W EXISTING WATER A DECORATIVE LIGHT TYPE A B DECORATIVE LIGHT TYPE B C DECORATIVE LIGHT TYPE C | <ul style="list-style-type: none"> T EXISTING TELEPHONE E EXISTING ELECTRICAL G EXISTING GAS OE EXISTING OVERHEAD ELECTRICAL EXISTING R.O.W. EXISTING PIPE CULVERT EXISTING STORMSEWER EXISTING SANITARY SEWER |
|---|--|

* REMOVAL OF LUMINAIRE, SALVAGE & LUMINAIRE, HIGH PRESSURE SODIUM SPECIAL (310 WATT)



LIGHT NO. 26
(PROPOSED)
STA. 143+31
23' LT.

LIGHTING CONTROL PANEL NO. 3
CONTROLS LIGHTS 22-26, 27-33,
59-64 AND 65-70

LIGHT NO. 27
(EXISTING)
STA. 144+75
23' LT.

LIGHT NO. 28
(PROPOSED)
STA. 146+34
22' LT.

LIGHT NO. 29
(EXISTING)
STA. 147+94
22' LT.



MATCH LINE - STA. 143+00

MATCH LINE - STA. 149+00

LIGHT NO. 64
(PROPOSED)
STA. 143+95
20' RT.

LIGHT NO. 65
(PROPOSED)
STA. 145+54
20' RT.

LIGHT NO. 66
(PROPOSED)
STA. 147+14
20' RT.

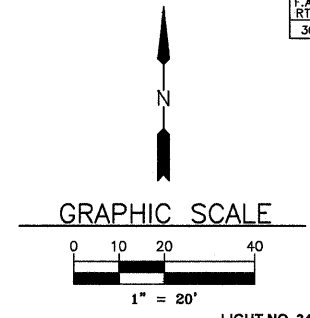
LIGHT NO. 67
(PROPOSED)
STA. 148+74
20' RT.

NOTE: AERIAL PHOTOGRAPHS SUPPLIED BY THE SIDWELL COMPANY

DRAWN BY: RGP/JMT	#078-00 CAD/DWG: P143-149 BASE	REVISIONS DATE BY	CHAMLIN ASSOCIATES	PERU MORRIS ILLINOIS	VILLAGE OF DIAMOND DIVISION STREET LIGHTING IMPROVEMENTS - 2010	PLAN SHEET - STA. 143+00 TO STA. 149+00	SCALE: AS NOTED	SHEET 10
CHECKED BY: MWP/DJD	DATE: 09-24-09						FILE NO.: 6978-00	OF 12

LEGEND

- | | | | |
|--|--|--|------------------------------|
| | PROPOSED ORNAMENTAL LIGHTING UNIT COMPLETE | | EXISTING TELEPHONE |
| | EXISTING LIGHT | | EXISTING ELECTRICAL |
| | EXISTING BURIED WIRING JUNCTION BOX | | EXISTING GAS |
| | EXISTING CATCH BASIN | | EXISTING OVERHEAD ELECTRICAL |
| | EXISTING UTILITY POLE | | EXISTING R.O.W. |
| | EXISTING INLET | | EXISTING PIPE CULVERT |
| | EXISTING MANHOLE | | EXISTING STORMSEWER |
| | EXISTING GAS | | EXISTING SANITARY SEWER |
| | EXISTING WATER | | |
| | DECORATIVE LIGHT TYPE A | | |
| | DECORATIVE LIGHT TYPE B | | |
| | DECORATIVE LIGHT TYPE C | | |
- * REMOVAL OF LUMINAIRE, SALVAGE & LUMINAIRE, HIGH PRESSURE SODIUM SPECIAL (310 WATT)



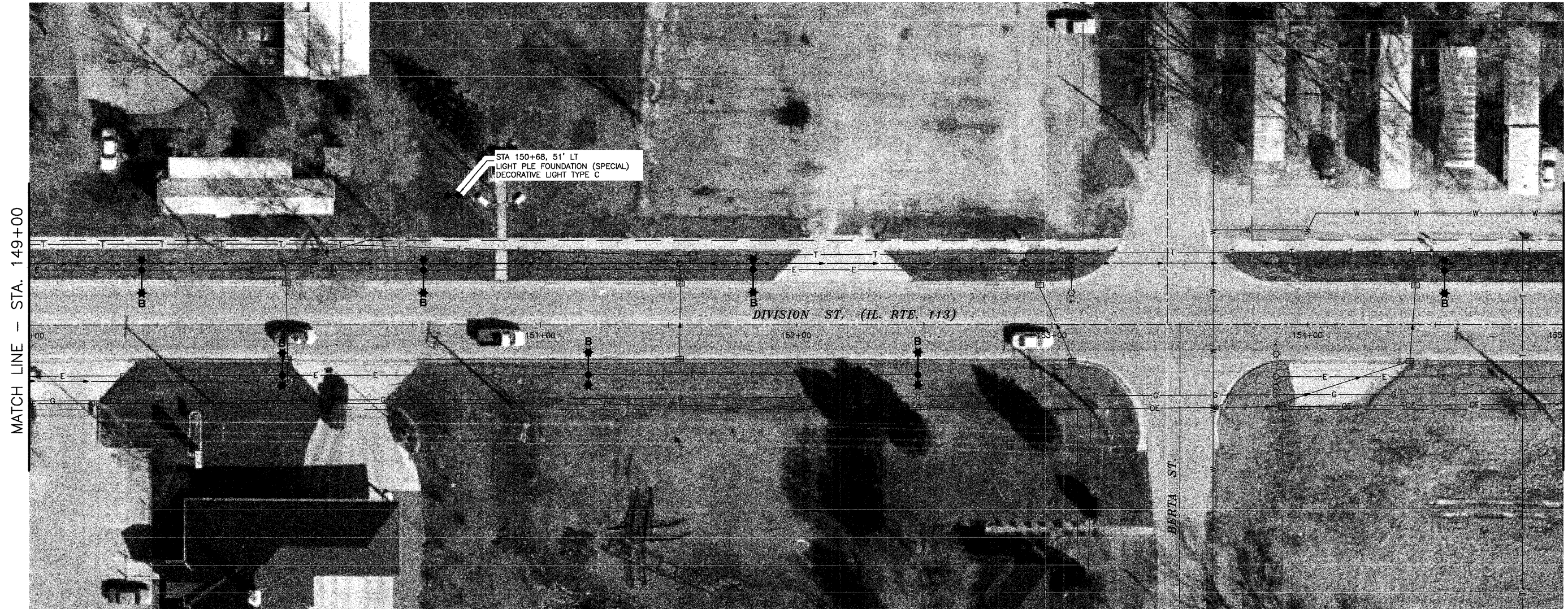
LIGHT NO. 30
(PROPOSED)
STA. 149+44
21' LT.

LIGHT NO. 31
(PROPOSED)
STA. 150+54
21' LT.

LIGHT NO. 32
(PROPOSED)
STA. 151+83
22' LT.

LIGHT NO. 33
(EXISTING)
STA. 153+08
21' LT.

LIGHT NO. 34
(PROPOSED)
STA. 154+53
21' LT.



LIGHT NO. 68
(PROPOSED)
STA. 149+99
20' RT.

LIGHT NO. 69
(PROPOSED)
STA. 151+19
19' RT.

LIGHT NO. 70
(PROPOSED)
STA. 152+48
19' RT.

LIGHT NO. 71
(EXISTING)
STA. 153+88
20' RT.

NOTE: AERIAL PHOTOGRAPHS SUPPLIED BY THE SIDWELL COMPANY

DRAWN BY: RGP/JMT
CHECKED BY: MWP/DJD

6978-00
CAD/DWG: P149-155
BASE
DATE: 09-24-09

REVISIONS	
DATE	BY



PERU MORRIS
ILLINOIS

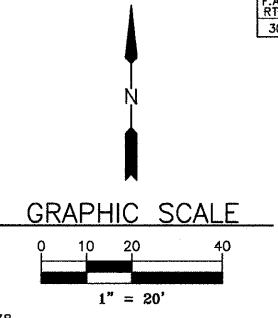
VILLAGE OF DIAMOND
DIVISION STREET LIGHTING IMPROVEMENTS - 2010

PLAN SHEET - STA. 149+00 TO STA. 155+00

SCALE: AS NOTED	SHEET 11
FILE NO.: 6978-00	OF 12

LEGEND

- | | |
|---|--|
| <ul style="list-style-type: none"> ☼-○-☼ PROPOSED ORNAMENTAL LIGHTING UNIT COMPLETE ☼-○-☼ EXISTING LIGHT □ EXISTING BURIED WIRING JUNCTION BOX ○ EXISTING CATCH BASIN ○ EXISTING UTILITY POLE ○ EXISTING INLET ○ EXISTING MANHOLE ○ EXISTING GAS ○ EXISTING WATER — A — DECORATIVE LIGHT TYPE A — B — DECORATIVE LIGHT TYPE B — C — DECORATIVE LIGHT TYPE C | <ul style="list-style-type: none"> — T — EXISTING TELEPHONE — E — EXISTING ELECTRICAL — G — EXISTING GAS — OE — EXISTING OVERHEAD ELECTRICAL — EXISTING R.O.W. — EXISTING PIPE CULVERT — EXISTING STORMSEWER — EXISTING SANITARY SEWER — 4-1/C NO. 4, 4-1/C NO. 8 IN 2" DIA. PVC IN TRENCH — 4-1/C NO. 4, 4-1/C NO. 8 IN 2" DIA. PVC INTERMEDIATE METAL PUSHED |
|---|--|



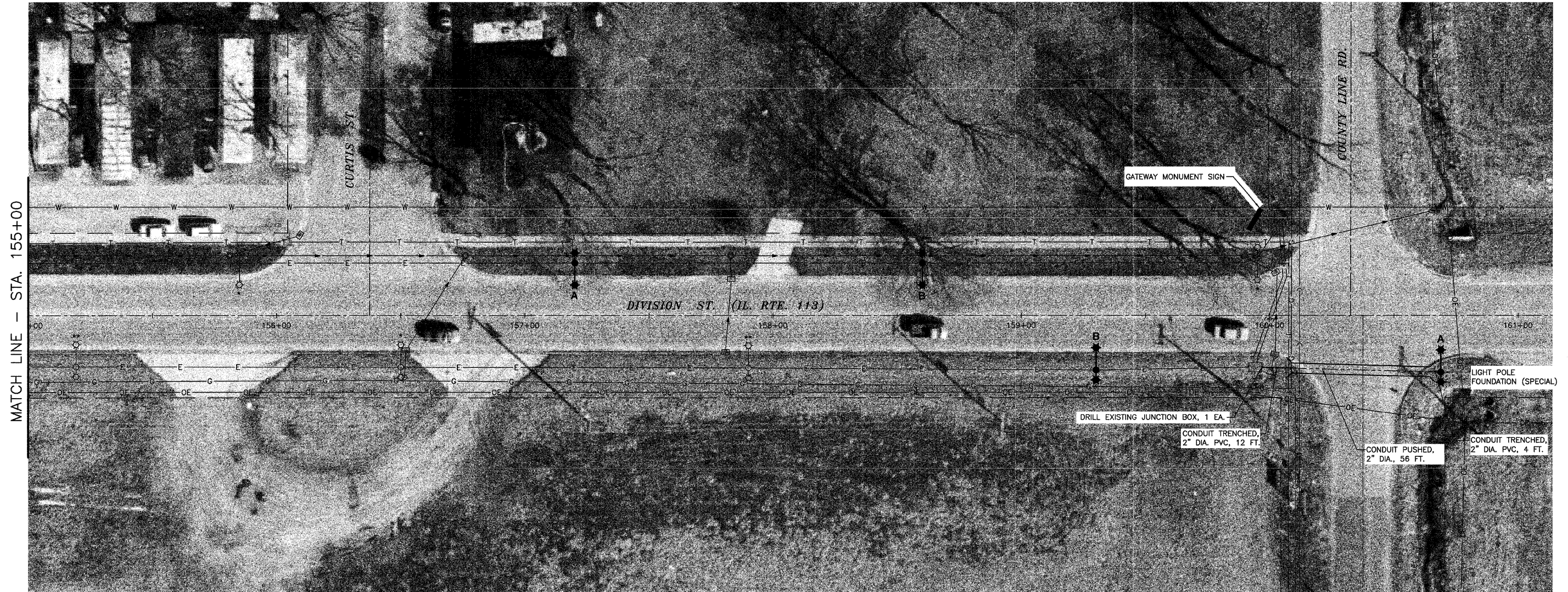
LIGHT NO. 35
(EXISTING)
STA. 155+85
21' LT.

LIGHT NO. 36
(PROPOSED)
STA. 157+20
21' LT.

LIGHT NO. 37
(PROPOSED)
STA. 158+60
21' LT.

LIGHT NO. 38
(EXISTING)
STA. 159+95
23' LT.

LIGHTING CONTROL PANEL NO. 4
CONTROLS LIGHTS 34-38 AND 71-76



LIGHT NO. 72
(EXISTING)
STA. 155+19
21' RT.

LIGHT NO. 73
(EXISTING)
STA. 156+50
21' RT.

LIGHT NO. 74
(EXISTING)
STA. 157+90
21' RT.

LIGHT NO. 75
(PROPOSED)
STA. 159+30
22' RT.

LIGHT NO. 76
(PROPOSED)
STA. 160+69
23' RT.

NOTE: AERIAL PHOTOGRAPHS SUPPLIED BY THE SIDWELL COMPANY

DRAWN BY: RGP/JMT	#378-00 CAD/DWG: P155-161 BASE	REVISIONS	
		DATE	BY
CHECKED BY: MWP/DJD	DATE: 09-24-09		

CHAMLIN ASSOCIATES
PERU MORRIS
ILLINOIS

**VILLAGE OF DIAMOND
DIVISION STREET LIGHTING IMPROVEMENTS - 2010**

PLAN SHEET - STA. 155+00 TO STA. 161+00

SCALE: AS NOTED	SHEET 12
FILE NO.: 6978-00	OF 12