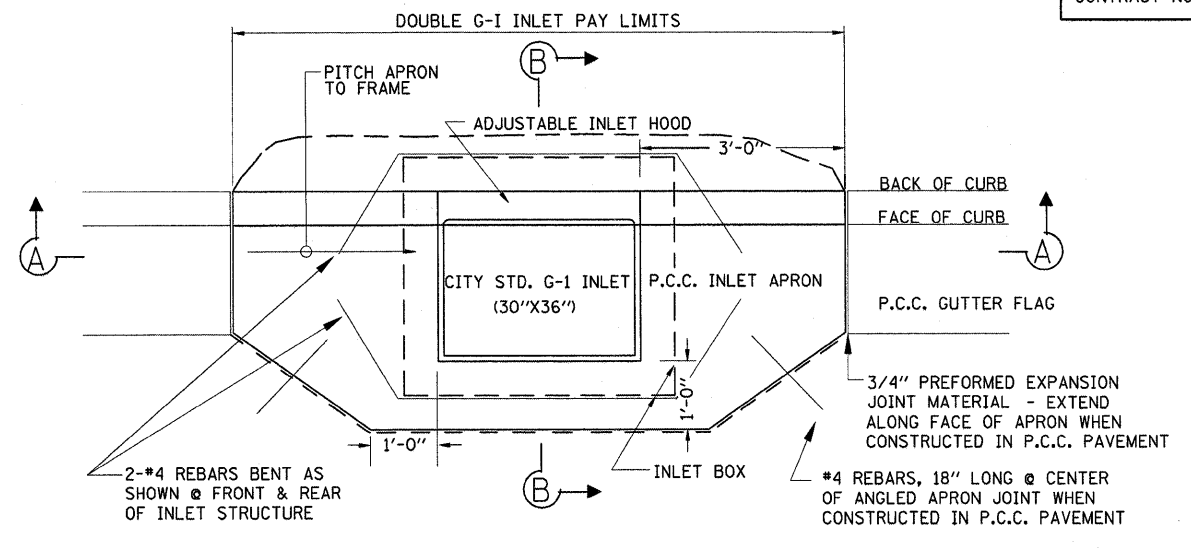
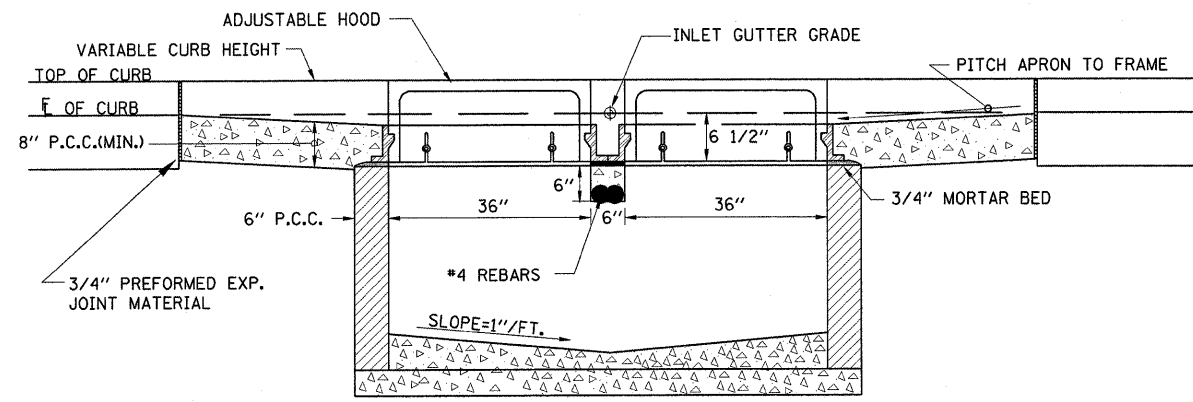


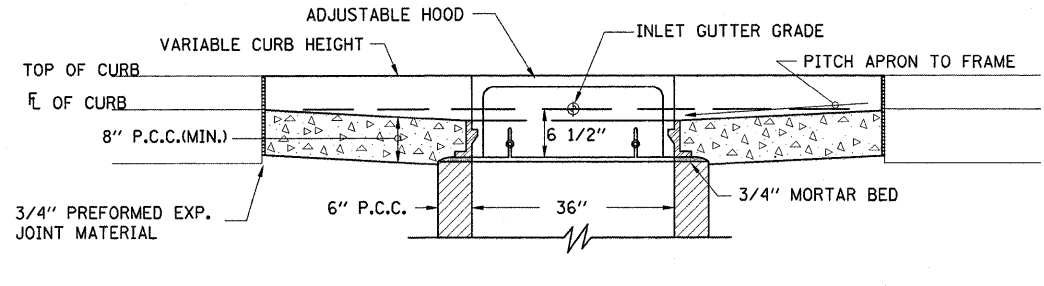
CITY STANDARD DOUBLE G-1 INLET



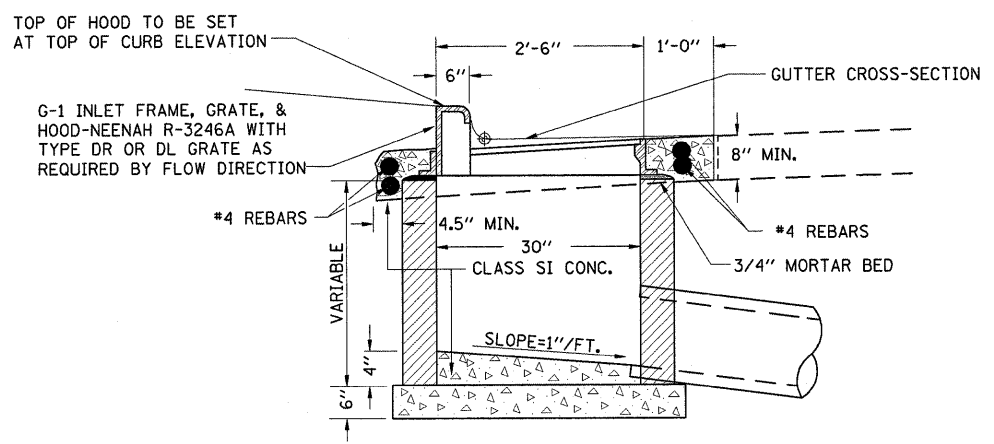
CITY STANDARD G-1 INLET



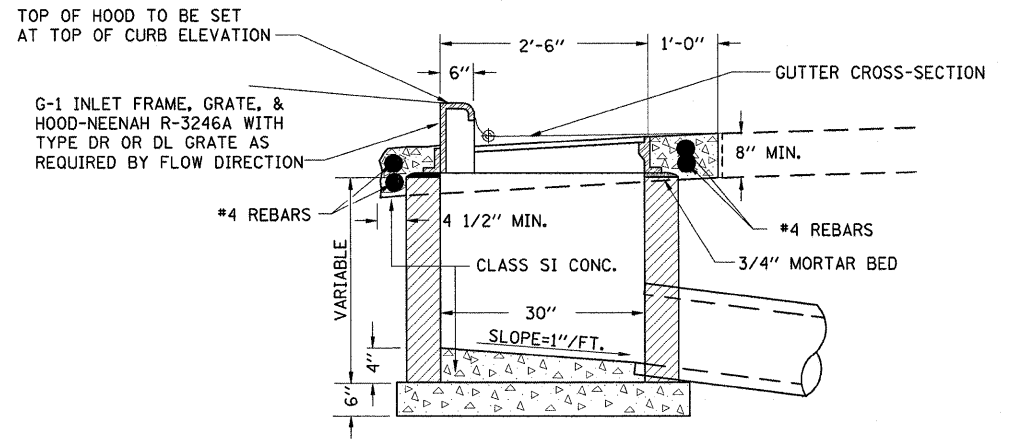
SECTION A-A



SECTION A-A



SECTION B-B



SECTION B-B

INLETS, TYPE G-1, DOUBLE

INLET, TYPE G-1

© Copyright Hanson Professional Services Inc. 2008
HANSON
 Hanson Professional Services Inc.

FILE NAME =	USER NAME = Ander00846	DESIGNED - MPB	REVISED -
I:\09\Jobs\09L0027B\CADD\Road\Sheet\c-542det.dgn		DRAWN - RLA	REVISED -
PLOT SCALE = 5,0000' / 1"		CHECKED - CAL	REVISED -
PLOT DATE = 10/16/2009		DATE - 10/16/2009	REVISED -

STATE OF ILLINOIS
DEPARTMENT OF TRANSPORTATION

DRAINAGE DETAILS			
SCALE: N.T.S	SHEET NO.	OF SHEETS	STA. TO STA.

F.A.U. RTE.	SECTION	COUNTY	TOTAL SHEETS	SHEET NO.
6647	08-00302-00-PV	PEORIA	85	55
	09-00047-01-PV			CONTRACT NO. 89526
FED. ROAD DIST. NO. ILLINOIS FED. AID PROJECT ARA-M-5033(139)				