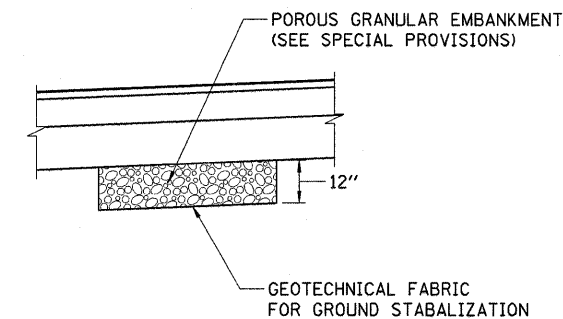
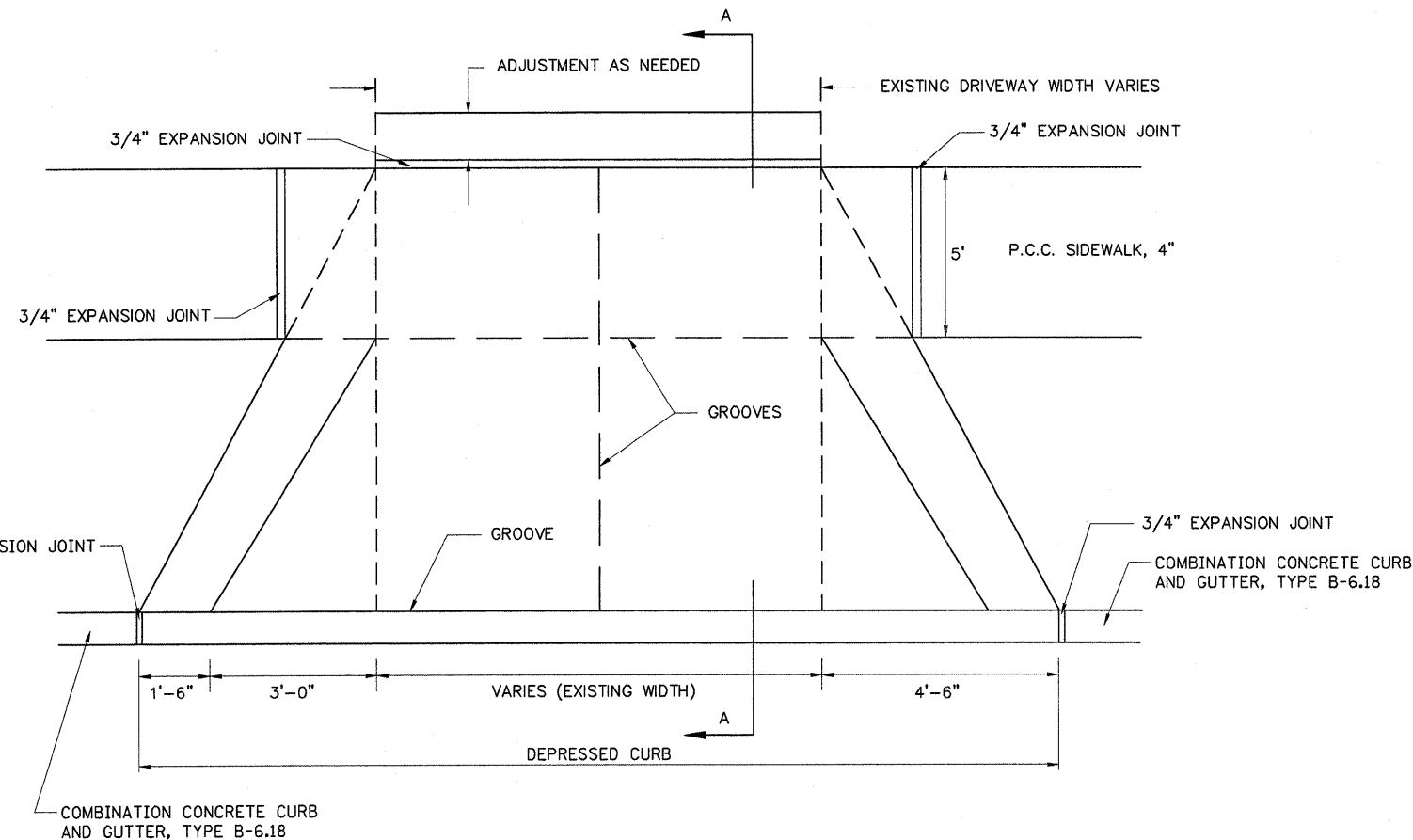


CURB LINE PROFILE

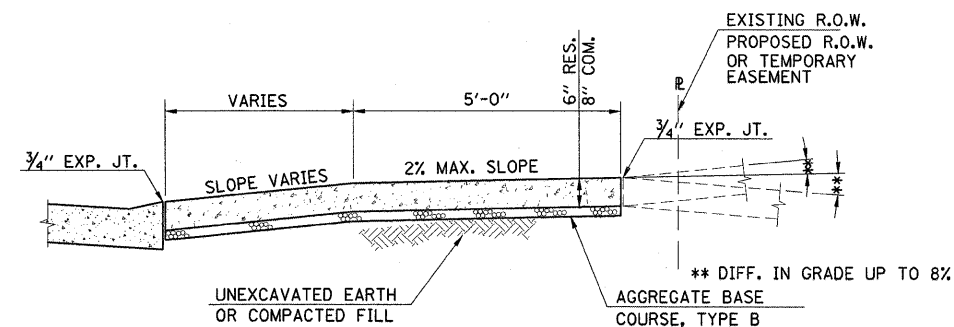


NOTE: UNDERCUT OF MATERIAL TO BE PAID FOR AS REMOVAL AND DISPOSAL OF UNSUITABLE MATERIAL.

UNSUITABLE MATERIAL UNDERCUT DETAIL



P.C.C. DRIVEWAY PAVEMENT  
ADJACENT TO PROPERTY LINE SIDEWALK



SECTION A - A

NOTE: BEHIND SIDEWALK MATCH EXISTING DRIVEWAY COMPOSITION WITH THE FOLLOWING GUIDELINES:

RES. 6" CONC, 4" AGG. BASE  
3" BIT, 6" AGG. BASE  
6" AGG. SURF.

COM. 8" CONC, 4" AGG. BASE  
3" BIT, 6" AGG. BASE  
8" AGG. SURF.

FILE NAME =	USER NAME = Ander00846	DESIGNED - MPB	REVISED -	<b>STATE OF ILLINOIS DEPARTMENT OF TRANSPORTATION</b>	<b>DETAILS</b>	F.A.U. RTE.	SECTION	COUNTY	TOTAL SHEETS	SHEET NO.
1:\09\Jobs\09L0027B\CADD\Road\Sheet\c-595det.dgn	DRAWN - RLA	CHECKED - CAL	REVISED -			6647	08-00302-00-PV	PEORIA	85	58
PLOT SCALE = 5,0000' / 1in.	DATE - 10/16/2009	REVISED -	REVISED -			09-00047-01-PV	CONTRACT NO. 89526			
PLOT DATE = 10/16/2009						FED. ROAD DIST. NO.	ILLINOIS FED. AID PROJECT	ARA-M-5093(139)		
SCALE: N.T.S.						SHEET NO. OF SHEETS		STA. TO STA.		