

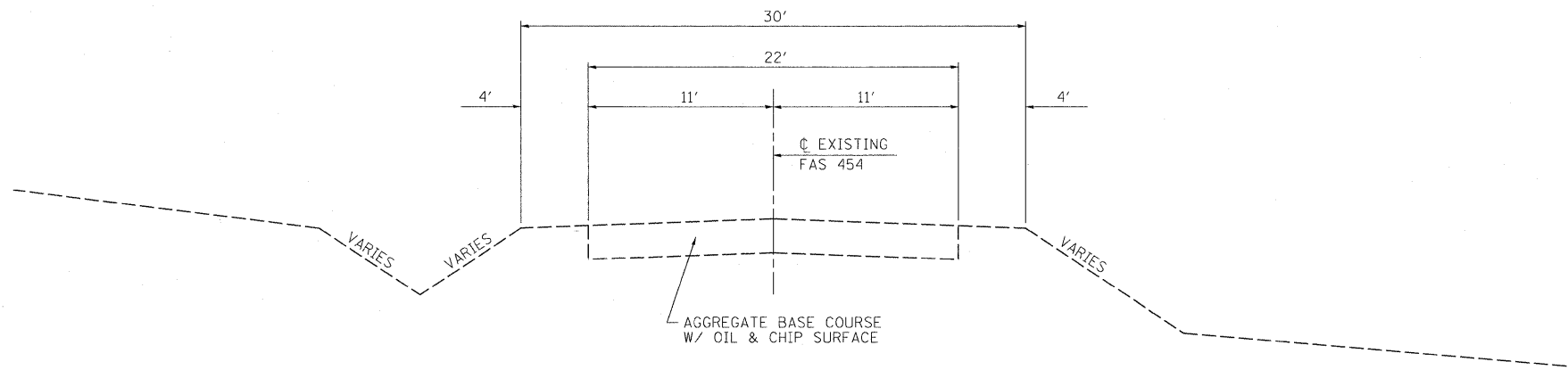
PAVEMENT DESIGN DATA

THE FINAL PAVEMENT DESIGN WILL BE BUILT IN TWO PHASES. PHASE 1 WILL BE CONSTRUCTED UNDER THIS PROJECT. PHASE 2 WILL BE FUTURE CONSTRUCTION.

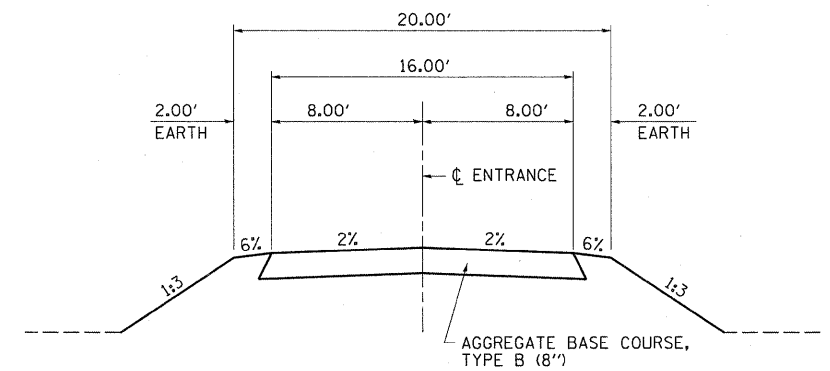
CLASS III ROADWAY
 DESIGN PERIOD : 20 YEARS
 STRUCTURAL DESIGN TRAFFIC (SDT):
 YEAR = 2019
 PV = 664
 SU = 53
 MU = 38
 TRAFFIC FACTOR (TF) = 0.2049
 MINIMUM SOIL SUPPORT : $E_{RI} = 3$

PAVEMENT PROVIDED:
 PHASE 1:
 12" AGGREGATE BASE COURSE, TYPE B
 A-3 BITUMINOUS SURFACE TREATMENT (BY OTHERS)
 PHASE 2:
 1 1/2" HOT-MIX ASPHALT SURFACE COURSE, MIX "C", N50
 3 1/2" HOT-MIX ASPHALT BINDER COURSE, IL-19.0, N50

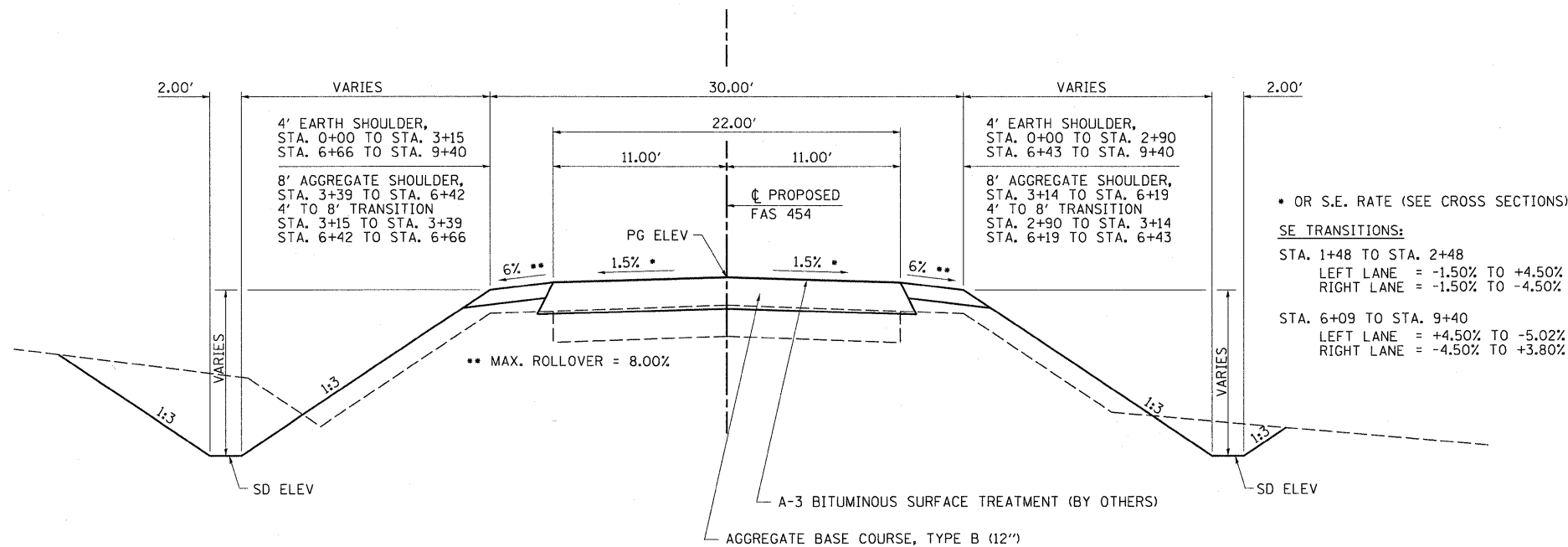
HOT-MIX ASPHALT MIXTURE REQUIREMENTS			
ITEM	AGGREGATE COMPOSITION	ASPHALT GRADE	VOIDS
HMA BINDER COURSE	IL-19.0	PG 64 -22	4.0% @ N50
HMA SURFACE COURSE	IL-9.5 or 12.5 Mix "C"	PG 64 -22	4.0% @ N50



EXISTING TYPICAL ROADWAY SECTION



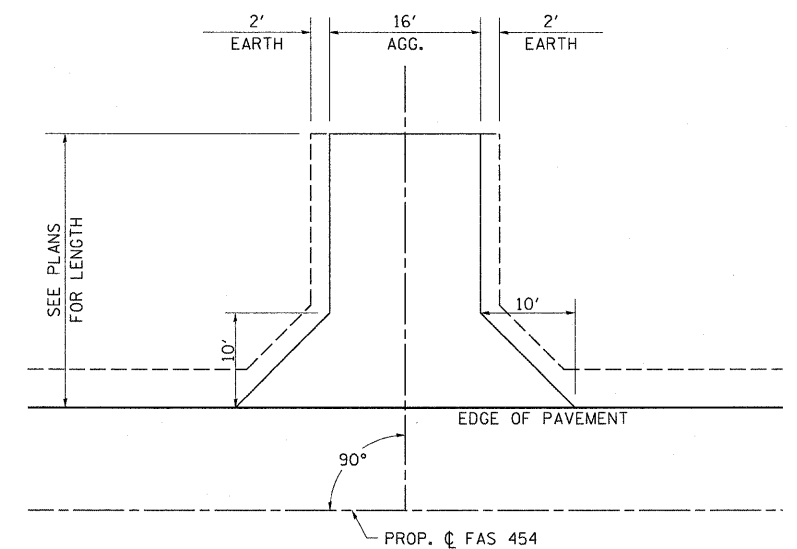
PROPOSED TYPICAL ENTRANCE SECTION



EXISTING TYPICAL ROADWAY SECTION

BRIDGE OMISSION:
 STA. 4+38.00 TO STA. 5+20.00

- OR S.E. RATE (SEE CROSS SECTIONS)
- SE TRANSITIONS:**
- STA. 1+48 TO STA. 2+48
 LEFT LANE = -1.50% TO +4.50%
 RIGHT LANE = -1.50% TO -4.50%
- STA. 6+09 TO STA. 9+40
 LEFT LANE = +4.50% TO -5.02%
 RIGHT LANE = -4.50% TO +3.80%



PROPOSED TYPICAL ENTRANCE DETAIL

GREENE & BRADFORD, INC.
 OF SPRINGFIELD
 300 SOUTH MAIN STREET
 SPRINGFIELD, ILLINOIS 62761
 TEL: 217/223-1111 FAX: 217/223-1112
 WWW.GRENEANDBRADFORD.COM

FILE NAME = J:\07258\CADD\CADsheets\07258-ah-typical.dgn	USER NAME = frankv	DESIGNED - WCB	REVISED -
PLOT SCALE = 50.0000 1/16" = 1'	CHECKED - WCB	DRAWN - MDS	REVISED -
PLOT DATE = 9/18/2009	DATE - 7/10/39		REVISED -

**STATE OF ILLINOIS
 DEPARTMENT OF TRANSPORTATION**

TYPICAL SECTIONS AND DETAILS

SCALE: SHEET NO. 1 OF 1 SHEETS STA. TO STA.

F.A.S. RTE.	SECTION	COUNTY	TOTAL SHEETS	SHEET NO.
454	04-00070-00-BR	SCHUYLER	30	3
CONTRACT NO. 93499				
FED. ROAD DIST. NO. ILLINOIS FED. AID PROJECT BRS-0454(103)				

G&B PROJECT: 07258

PLOT DRIVER = V8i.TDS700.PS.LOCAL.IDOT.pltcf