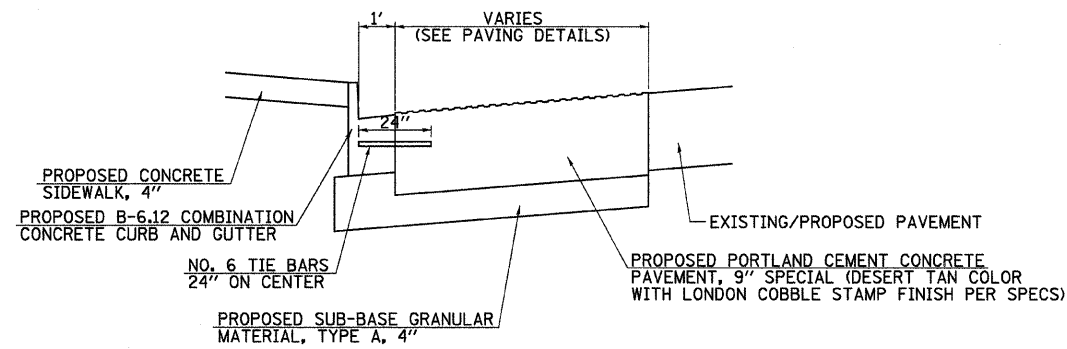


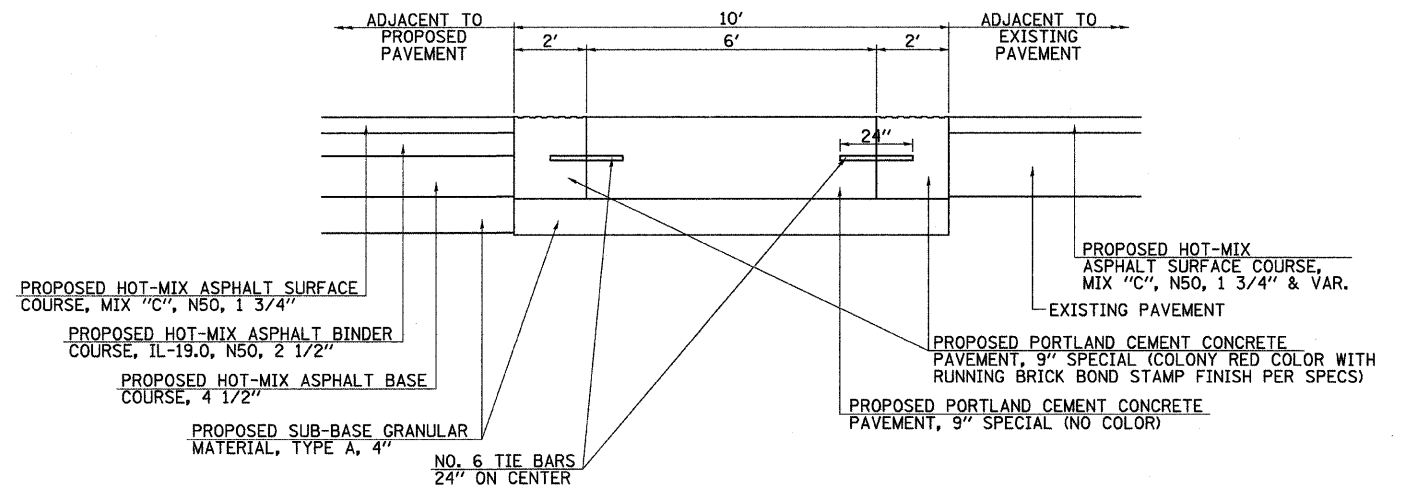
PROPOSED TYPICAL SECTION BEYOND PLAZA

STREET	A	B
E. & W. STATE	30'	37'
N. & S. SANDY	20'	24'
E. & W. MORGAN	20'	24'
E. & W. COURT	20'	24'
N. & S. MAUVAISTERRE	20'	24'

NOTE: FOR PROFILE GRADE AND PAVEMENT ELEVATIONS, SEE INTERSECTION DETAILS



MEDIAN PAVING DETAIL



CROSS WALK PAVING DETAIL

FILE NAME =
v:\2522\plaza plans\25221001.dgn

USER NAME = jwhite

DESIGNED - JRB

REVISED -

DRAWN - JMO

REVISED -

PLOT SCALE = 5.0000" / IN.

CHECKED - JRB

REVISED -

PLOT DATE = 9/25/2009

DATE - 09/25/09

REVISED -

STATE OF ILLINOIS
DEPARTMENT OF TRANSPORTATION

CITY OF JACKSONVILLE DOWNTOWN PLAZA STREETS RECONSTRUCTION
PROPOSED TYPICAL SECTIONS

SCALE: N/A SHEET NO. OF SHEETS STA. TO STA.

F.A.J. RTE.	SECTION	COUNTY	TOTAL SHEETS	SHEET NO.
N/A	05-00121-00-PV	MORGAN	74	9
FED. ROAD DIST. NO. 6 [ILLINOIS] FED. AID PROJECT			CONTRACT NO. 93504	