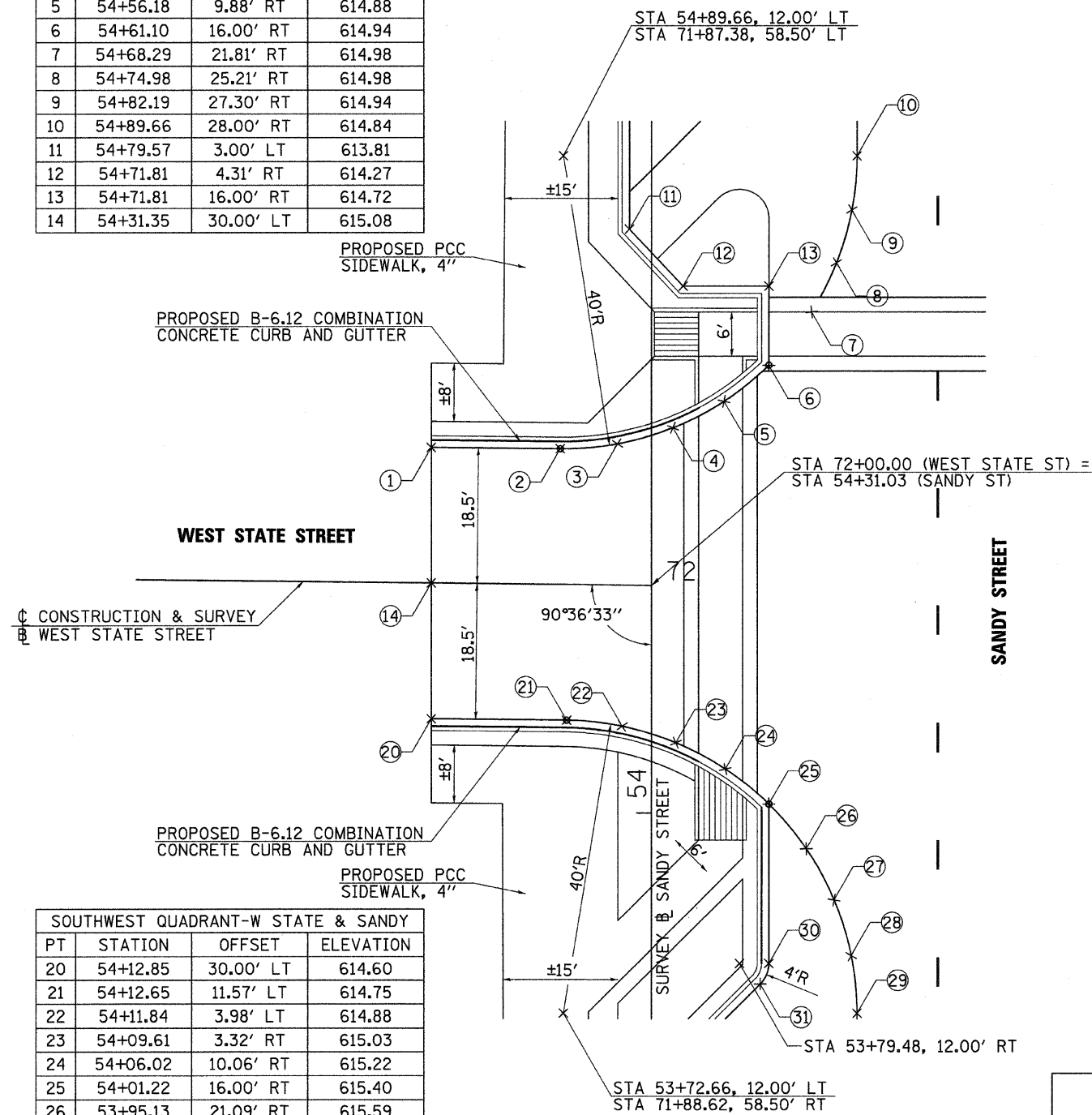


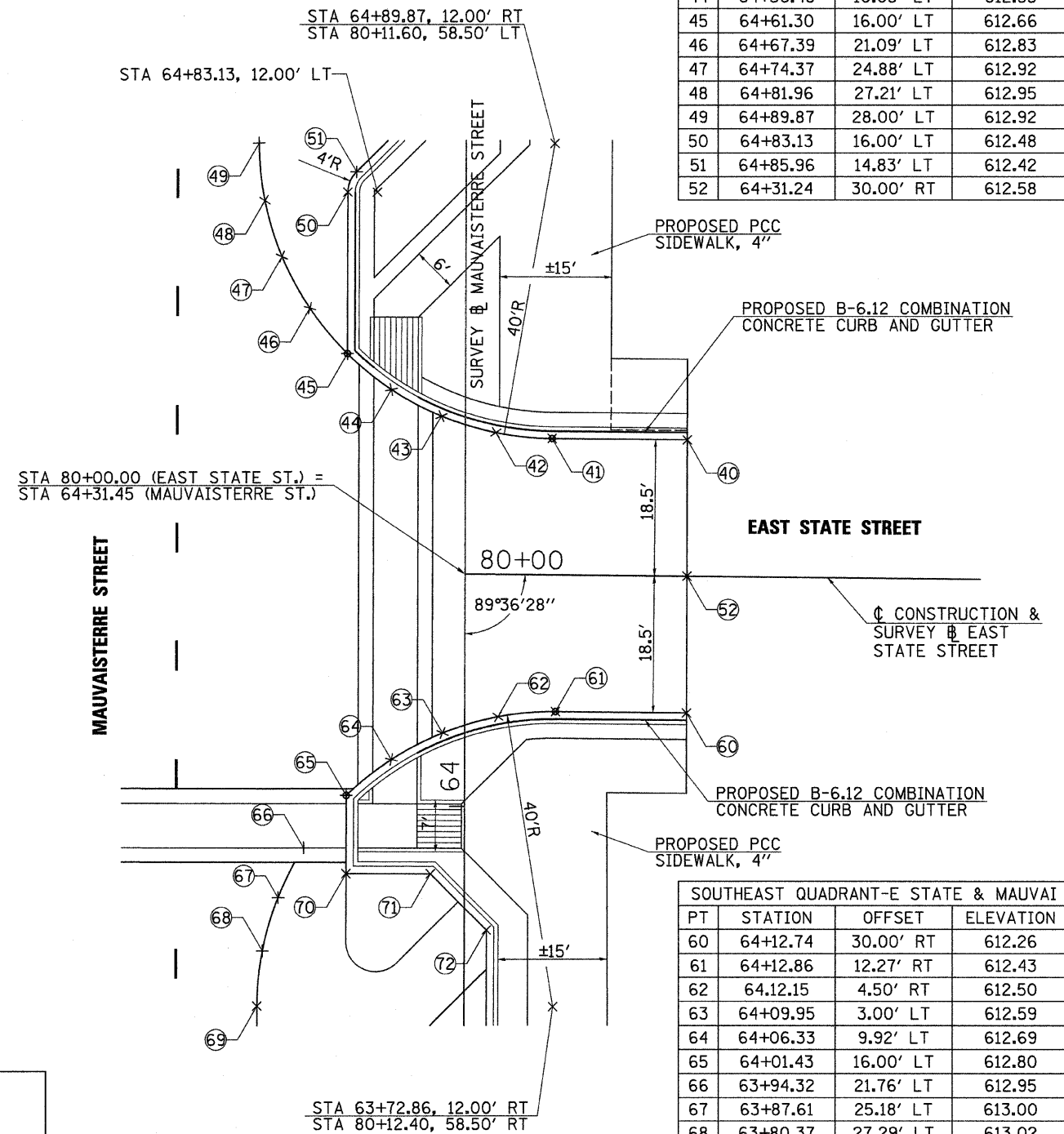
NORTHWEST QUADRANT-W STATE & SANDY			
PT	STATION	OFFSET	ELEVATION
1	54+49.85	30.00' LT	614.60
2	54+49.66	12.43' LT	614.67
3	54+50.35	4.61' LT	614.72
4	54+52.55	2.93' RT	614.79
5	54+56.18	9.88' RT	614.88
6	54+61.10	16.00' RT	614.94
7	54+68.29	21.81' RT	614.98
8	54+74.98	25.21' RT	614.98
9	54+82.19	27.30' RT	614.94
10	54+89.66	28.00' RT	614.84
11	54+79.57	3.00' LT	613.81
12	54+71.81	4.31' RT	614.27
13	54+71.81	16.00' RT	614.72
14	54+31.35	30.00' LT	615.08



SOUTHWEST QUADRANT-W STATE & SANDY			
PT	STATION	OFFSET	ELEVATION
20	54+12.85	30.00' LT	614.60
21	54+12.65	11.57' LT	614.75
22	54+11.84	3.98' LT	614.88
23	54+09.61	3.32' RT	615.03
24	54+06.02	10.06' RT	615.22
25	54+01.22	16.00' RT	615.40
26	53+95.13	21.09' RT	615.59
27	53+88.15	24.88' RT	615.78
28	53+80.56	27.21' RT	615.83
29	53+72.66	28.00' RT	615.85
30	53+79.48	16.00' RT	615.30
31	53+76.66	14.83' RT	615.28

**INTERSECTION DETAIL  
FOR  
WEST STATE STREET & SANDY STREET**

NORTHEAST QUADRANT-E STATE & MAUVAI			
PT	STATION	OFFSET	ELEVATION
40	64+49.74	30.00' RT	612.15
41	64+49.87	11.73' RT	612.37
42	64+50.66	4.09' RT	612.42
43	64+52.89	3.25' LT	612.48
44	64+56.48	10.03' LT	612.55
45	64+61.30	16.00' LT	612.66
46	64+67.39	21.09' LT	612.83
47	64+74.37	24.88' LT	612.92
48	64+81.96	27.21' LT	612.95
49	64+89.87	28.00' LT	612.92
50	64+83.13	16.00' LT	612.48
51	64+85.96	14.83' LT	612.42
52	64+31.24	30.00' RT	612.58



SOUTHEAST QUADRANT-E STATE & MAUVAI			
PT	STATION	OFFSET	ELEVATION
60	64+12.74	30.00' RT	612.26
61	64+12.86	12.27' RT	612.43
62	64+12.15	4.50' RT	612.50
63	64+09.95	3.00' LT	612.59
64	64+06.33	9.92' LT	612.69
65	64+01.43	16.00' LT	612.80
66	63+94.32	21.76' LT	612.95
67	63+87.61	25.18' LT	613.00
68	63+80.37	27.29' LT	613.02
69	63+72.86	28.00' LT	612.99
70	63+90.82	16.00' LT	612.75
71	63+90.82	4.59' LT	612.40
72	63+83.24	3.00' RT	612.15

**INTERSECTION DETAIL  
FOR  
EAST STATE STREET & MAUVAISTERRE STREET**

FILE NAME =  
v:\2522\plaza plans\2522\012.dgn

USER NAME = jwhite

DESIGNED - JRB  
DRAWN - JMO  
CHECKED - JRB  
DATE - 09/25/09

REVISED -  
REVISED -  
REVISED -  
REVISED -

**STATE OF ILLINOIS  
DEPARTMENT OF TRANSPORTATION**

**CITY OF JACKSONVILLE DOWNTOWN PLAZA STREETS RECONSTRUCTION  
STATE STREET INTERSECTION DETAILS**

SCALE: 1" = 10' SHEET NO. OF SHEETS STA. TO STA.

F.A.U. RTE. N/A	SECTION 05-00121-00-PV	COUNTY MORGAN	TOTAL SHEETS 74	SHEET NO. 36
FED. ROAD DIST. NO. 6 ILLINOIS FED. AID PROJECT			CONTRACT NO. 93504	