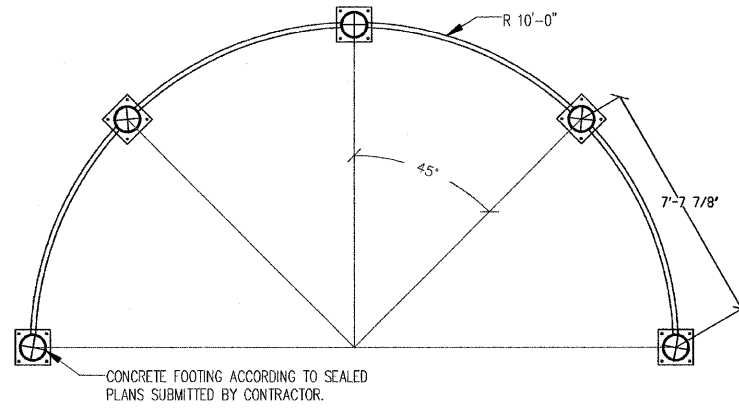
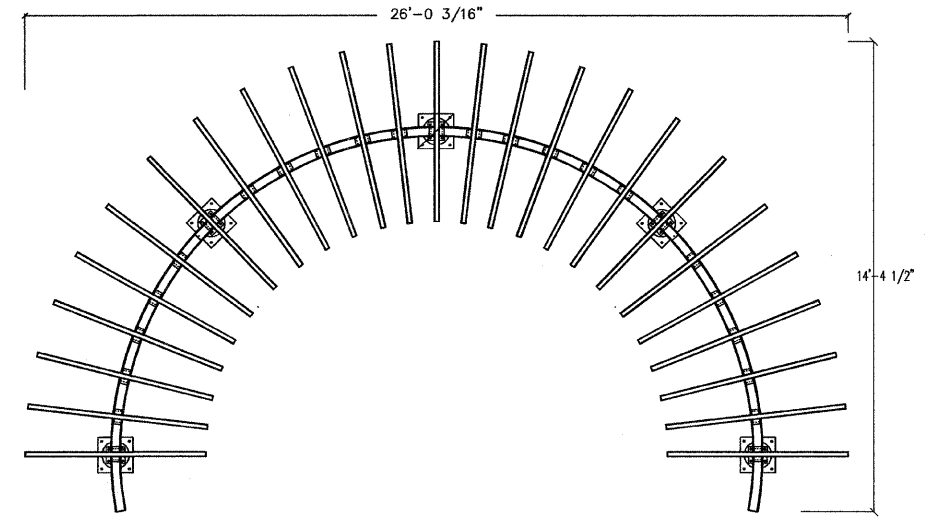


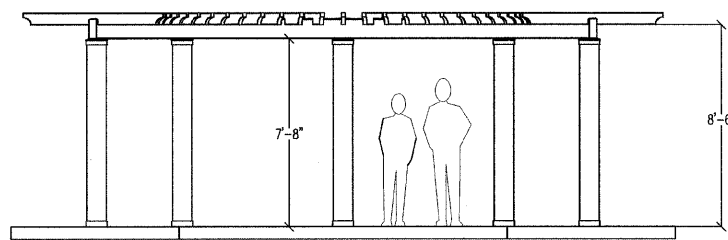
L
3-1 **PERGOLA AERIAL**
NOT TO SCALE



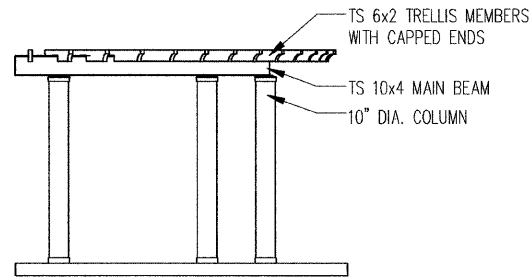
L
3-2 **FOOTING AND BEAM PLAN**
NOT TO SCALE



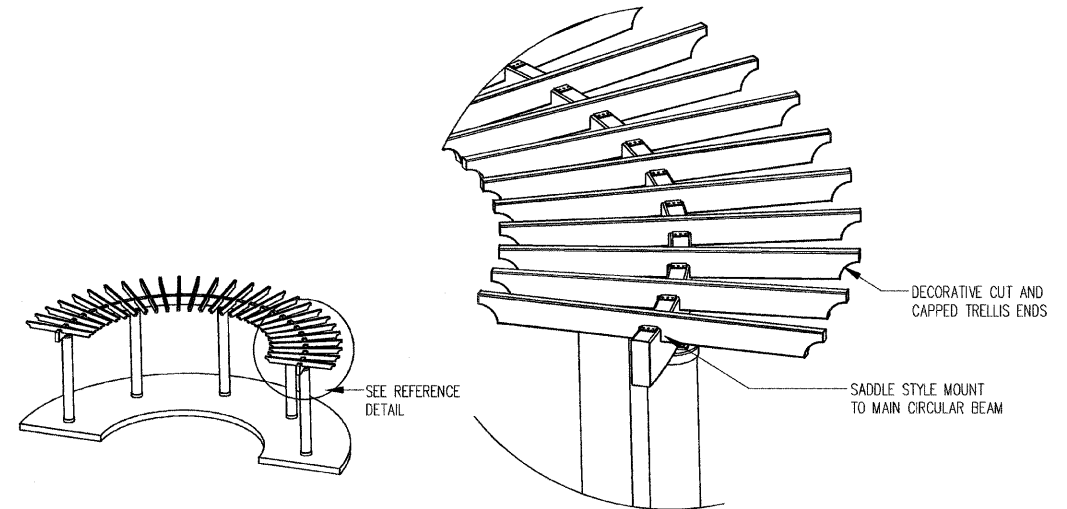
L
3-3 **PERGOLA CROSS MEMBER PLAN**
NOT TO SCALE



L
3-4 **FRONT ELEVATION**
NOT TO SCALE



L
3-5 **SIDE ELEVATION**
NOT TO SCALE



L
3-6 **PERGOLA CROSS MEMBER DETAIL**
NOT TO SCALE

FILE NAME =	USER NAME = \$USER\$	DESIGNED -- SMM	REVISED --	STATE OF ILLINOIS DEPARTMENT OF TRANSPORTATION	CITY OF JACKSONVILLE DOWNTOWN PLAZA STREETS RECONSTRUCTION PERGOLA DETAILS	F.A. RTE.	SECTION	COUNTY	TOTAL SHEETS	SHEET NO.	
\$FILEL\$		DRAWN -- NFB	REVISED --			N/A	05-00121-00-PV	MORGAN	74	53	
	PLOT SCALE = N/A	CHECKED -- SMM	REVISED --			CONTRACT NO. 93504					
	PLOT DATE = 11-25-08	DATE -- 11-4-08	REVISED --			SCALE: N/A	SHEET NO. 53 OF 74 SHEETS	STA. _____ TO STA. _____	FED. ROAD DIST. NO. -- ILLINOIS FED. AID PROJECT		