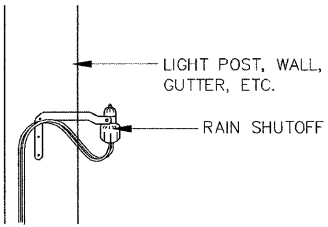


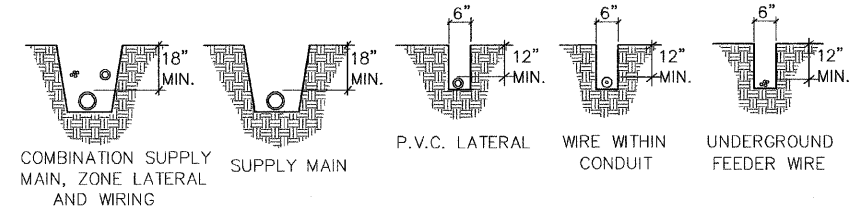
NOTES:
 1. INSTALLATION TO BE COMPLETED IN ACCORDANCE WITH MANUFACTURERS SPECIFICATIONS.

L 5-2 AUTOMATIC RAIN SHUT-OFF
 NOT TO SCALE



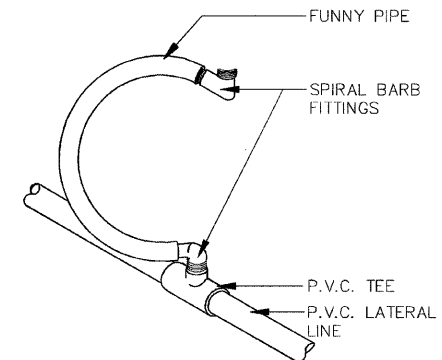
NOTES:
 1. MOUNT RAIN SENSOR WHERE RAIN WILL FALL FREELY ON IT AS DIRECTED BY ENGINEER. MOUNTING HARDWARE PROVIDED. THE SWITCH HOUSING PORTION MUST BE UPRIGHT, BUT THE SWIVEL-BRACKET MAY BE MOVED FOR MOUNTING ON ANY ANGLED SURFACE.
 2. FOLLOW MANUFACTURER'S RECOMMENDATIONS FOR WIRING, OPERATION AND ADJUSTMENT.

L 5-3 TRENCH DETAILS
 NOT TO SCALE

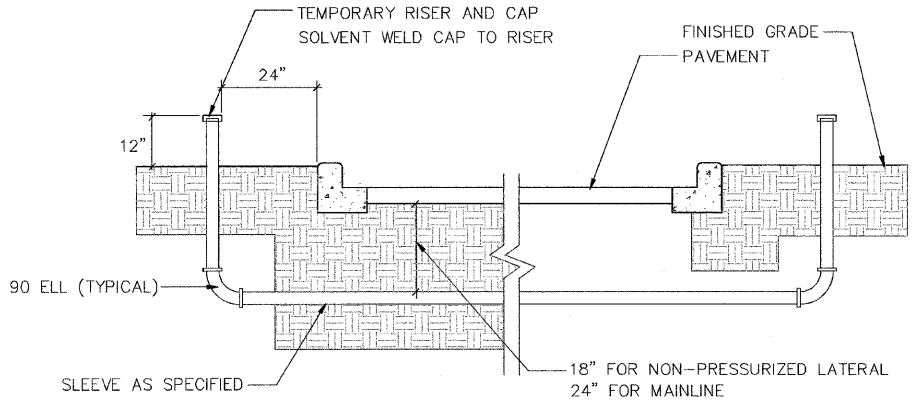


NOTES:
 1. ALL P.V.C. PIPING SHALL BE SNAKED IN TRENCHES.
 2. ALL WIRING TO BE INSTALLED PER LOCAL CODES.
 3. ALL WIRING TO BE BUNDLED AND TAPED AT 10' INTERVALS.
 4. ALL MAIN SUPPLY LINES TO BE INSTALLED AS PER MANUFACTURER'S SPECIFICATIONS.
 5. PROVIDE SLEEVES FOR ALL PIPES AND WIRES UNDER (PAVED SURFACES)

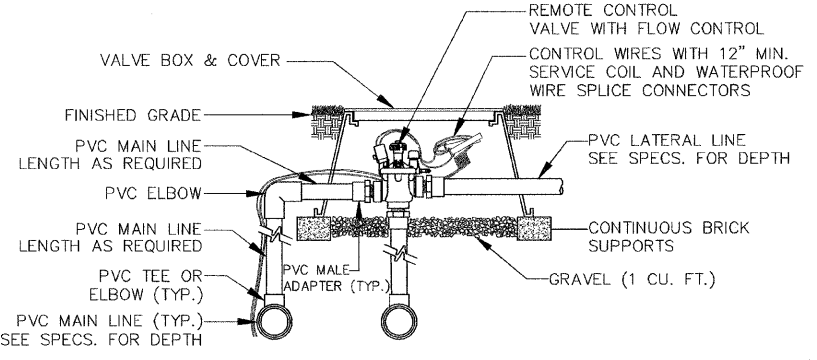
L 5-4 HEAD TO LATERAL PIPE CONNECTION
 NOT TO SCALE



L 5-1 CONTROLLER
 NOT TO SCALE



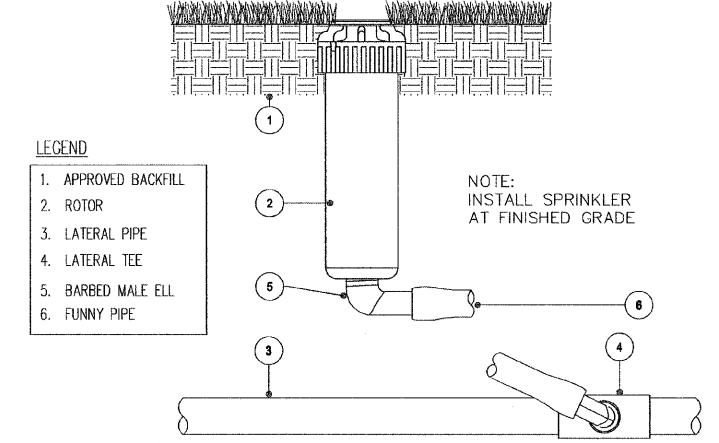
L 5-5 SLEEVE DETAIL
 NOT TO SCALE



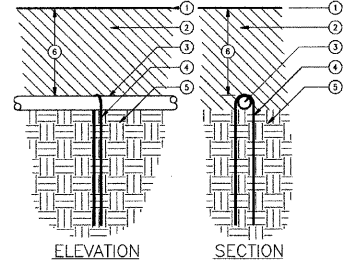
NOTES:
 1. INSTALLATION TO BE COMPLETED IN ACCORDANCE WITH MANUFACTURERS SPECIFICATIONS.
 2. SEE PLANS, LEGEND AND SPECIFICATIONS FOR ADDITIONAL INSTALLATION NOTES.

L 5-6 ZONE VALVE
 NOT TO SCALE

L 5-7 TURF ROTOR
 NOT TO SCALE

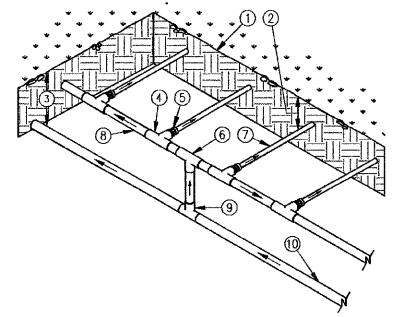


NOTES:
 1. INSTALLATION TO BE COMPLETED IN ACCORDANCE WITH MANUFACTURERS SPECIFICATIONS.



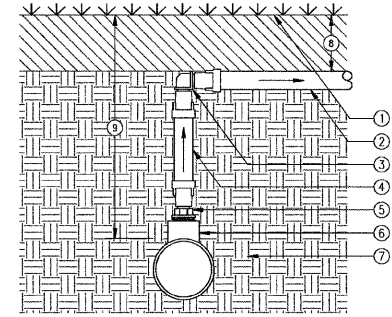
L 5-8 DRIP IRRIGATION
 NOT TO SCALE

NOTES:
 1. FINISH GRADE.
 2. MULCH
 3. DRIPLINE
 4. STEEL SOIL STAPLE - 48" O.C.
 5. SOIL PER SPECIFICATIONS.
 6. DEPTH OF TUBING, PRESS FIRMLY INTO SOIL AND COVER WITH MULCH
 NOTE: LOCATE STAPLES ALONG TUBING AT 4'-6' ON CENTER AND AT ALL FITTINGS (TEES, ELLS, ETC.)



L 5-9 DRIP IRRIGATION DIAGRAM
 NOT TO SCALE

NOTES:
 1. FINISH GRADE.
 2. DEPTH OF TUBING, PRESS FIRMLY INTO SOIL AND COVER WITH MULCH
 3. DEPTH OF PVC SUPPLY MANIFOLD, 12".
 4. PVC TEE
 5. ADAPTER
 6. PVC TEE
 7. DRIPLINE
 8. PVC SUB-MANIFOLD.
 9. PVC TEE
 10. PVC SUPPLY MANIFOLD FROM DRIP ZONE KIT.



L 5-10 DRIP TO LATERAL CONNECTION
 NOT TO SCALE

NOTES:
 1. FINISH GRADE.
 2. DRIPLINE
 3. ELL
 4. POLY TUBING
 5. ADAPTER
 6. PVC TEE WITH 1/2" FPT OUTLET
 7. SOIL BACKFILL PER SPECIFICATIONS.
 8. DEPTH OF TUBING, PRESS TUBING FIRMLY INTO SOIL AND COVER WITH MULCH.
 9. DEPTH OF PVC MANIFOLD, 12"

FILE NAME =	USER NAME = \$USERS\$	DESIGNED - SMM	REVISED -	STATE OF ILLINOIS DEPARTMENT OF TRANSPORTATION	CITY OF JACKSONVILLE DOWNTOWN PLAZA STREETS RECONSTRUCTION IRRIGATION DETAILS				F.A. RTE. N/A	SECTION 05-00121-00-PV	COUNTY MORGAN	TOTAL SHEETS 74	SHEET NO. 55
\$FILES\$		DRAWN - NFB	REVISED -		SCALE: N/A	SHEET NO. 55 OF 74 SHEETS	STA. _____	TO STA. _____	CONTRACT NO. 93504				
		CHECKED - SMM	REVISED -		FED. ROAD DIST. NO. _____ ILLINOIS FED. AID PROJECT								
		PLOT DATE = 11-25-08	DATE = 11-4-08										