

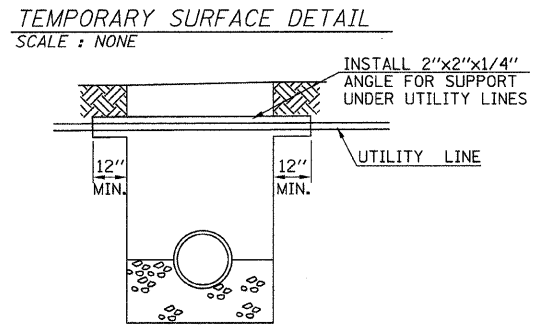
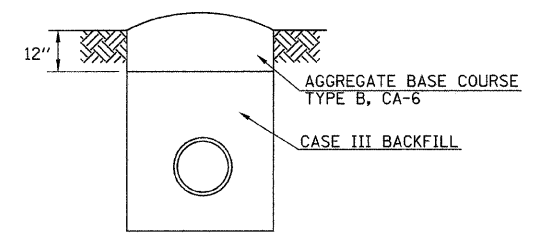
MAXIMUM DEFLECTION FULL LENGTH PIPE PUSH-ON TYPE JOINT PIPE

SIZE OF PIPE "	DEFLECTION ANGLE DEG.	MAXIMUM DEFLECTION		APPROX. RADIUS OF CURVE	
		18'-ft. LENGTH	20'-ft. LENGTH	18'-ft. LENGTH	20'-ft. LENGTH
4"	5°	19"	21"	205'	230'
6"	5°	19"	21"	205'	230'
8"	5°	19"	21"	205'	230'
10"	5°	19"	21"	205'	230'
12"	5°	19"	21"	205'	230'

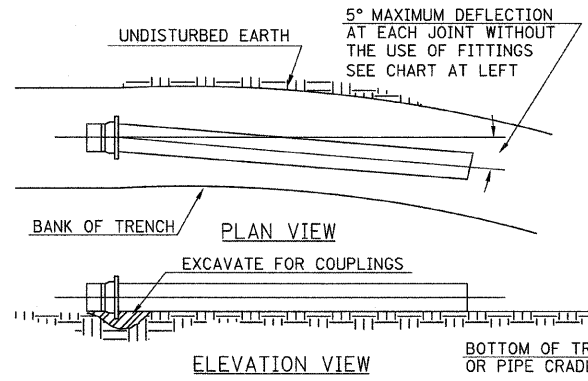
D	40	50	60	70	80	90
6"	1.2	1.5	1.7	2.0	2.3	2.6
8"	2.0	2.6	3.1	3.6	4.1	4.6
10"	3.2	4.0	4.8	5.5	6.3	7.1
12"	4.6	5.7	6.8	8.0	9.1	10.2

\*ESTIMATED BEARING SURFACES FOR THIS PROJECT

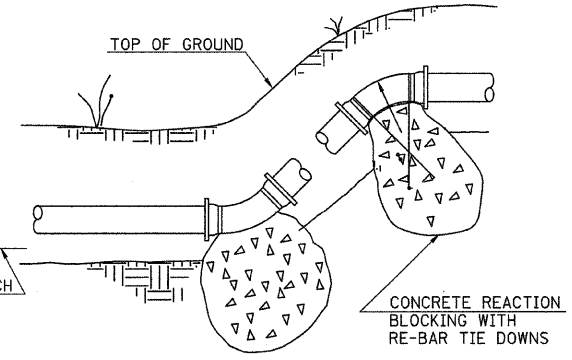
SCHEDULE FOR REACTION BLOCKING  
MIN. BEARING SURFACE IN SQ. FT. LINE PRESSURE (psi)



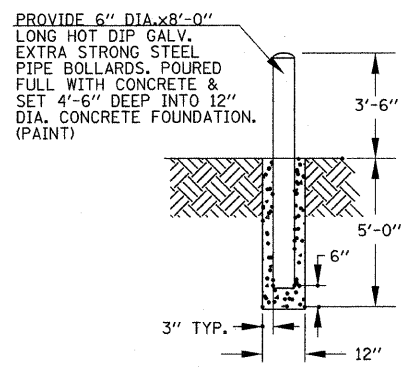
DETAIL OF UTILITY CROSSING SUPPORT  
SCALE: NONE



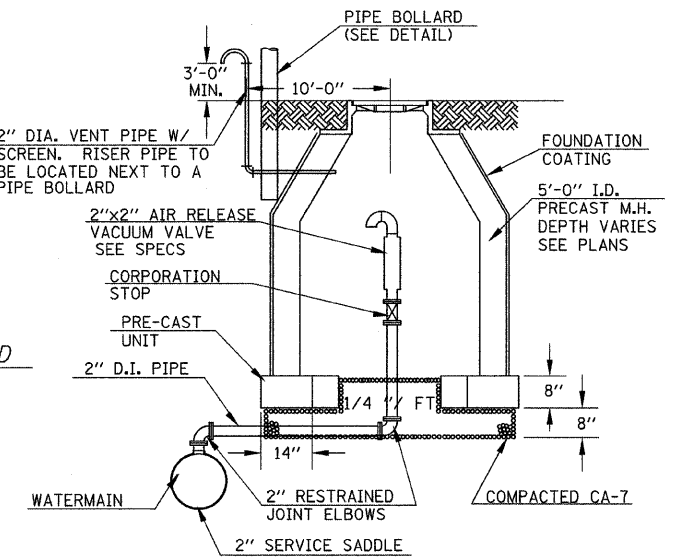
MAXIMUM PIPE DEFLECTION  
SCALE: NONE



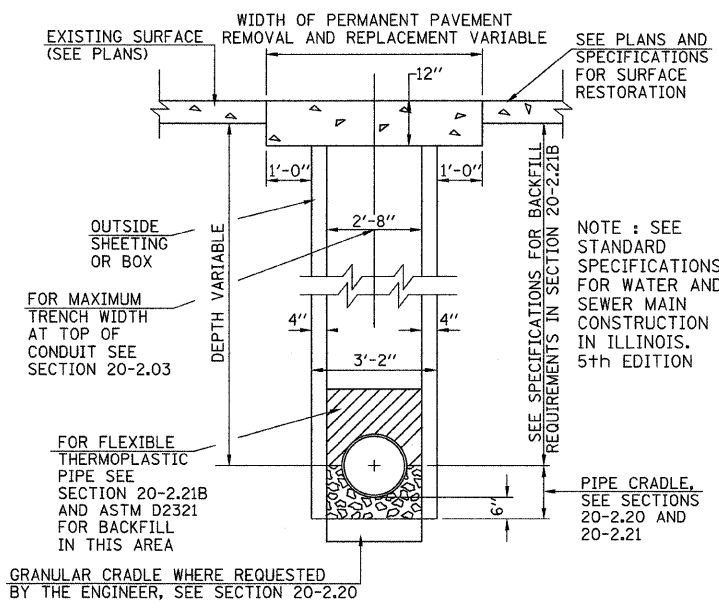
VERTICAL BEND  
SCALE: NONE



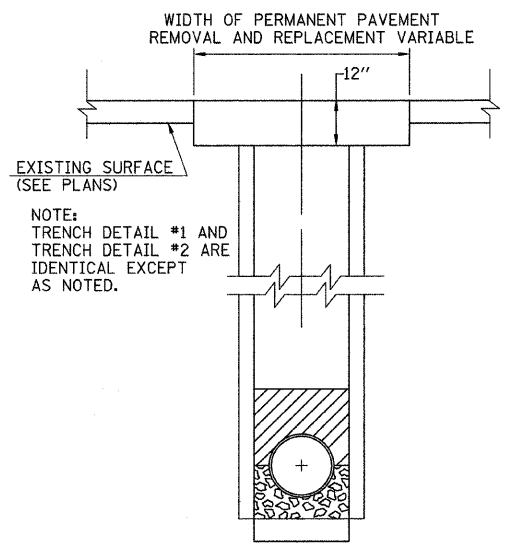
DETAIL OF PIPE BOLLARD  
SCALE: NONE



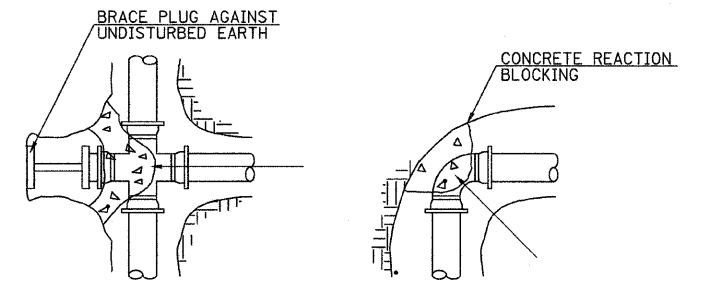
DETAIL OF AIR RELEASE/VACUUM VALVE VAULT  
SCALE: NONE



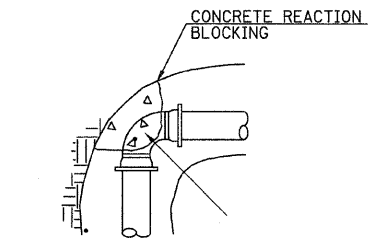
TRENCH DETAIL #1  
SCALE: NONE



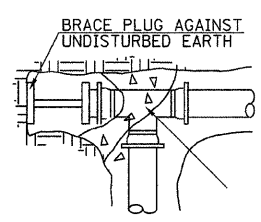
TRENCH DETAIL #2  
SCALE: NONE



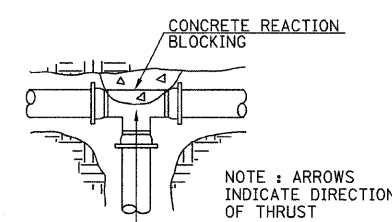
PLUGGED CROSS  
SCALE: NONE



90° & 45° BEND  
SCALE: NONE



PLUGGED TEE  
SCALE: NONE



TEE  
SCALE: NONE

FILE NAME = VA2557\2557W001.dgn	USER NAME = jwhite	DESIGNED - JRB	REVISED -
		DRAWN - JMO	REVISED -
		CHECKED - JRB	REVISED -
		DATE - 09/25/09	REVISED -

STATE OF ILLINOIS  
DEPARTMENT OF TRANSPORTATION

CITY OF JACKSONVILLE DOWNTOWN PLAZA STREETS RECONSTRUCTION SPECIAL DETAILS			
SCALE: N/A	SHEET NO.	OF SHEETS	STA. TO STA.

F.A. RTE.	SECTION	COUNTY	TOTAL SHEETS	SHEET NO.
N/A	05-00121-00-PV	MORGAN	74	56
CONTRACT NO. 93504				
FED. ROAD DIST. NO.		ILLINOIS FED. AID PROJECT		