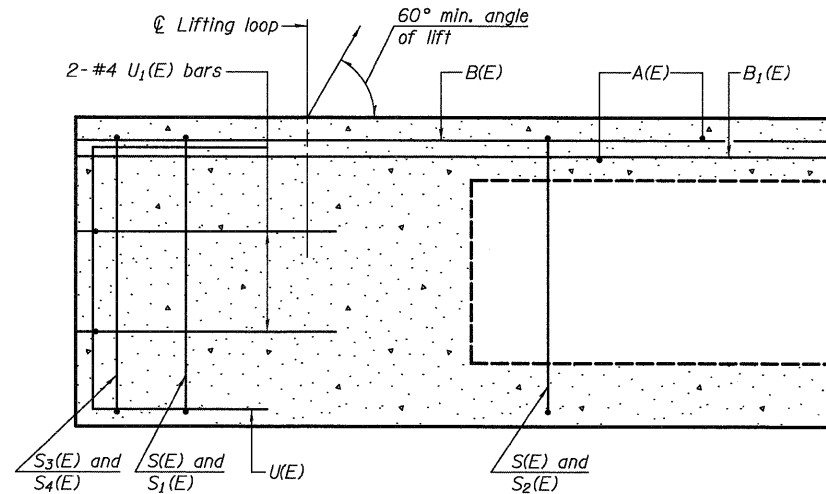


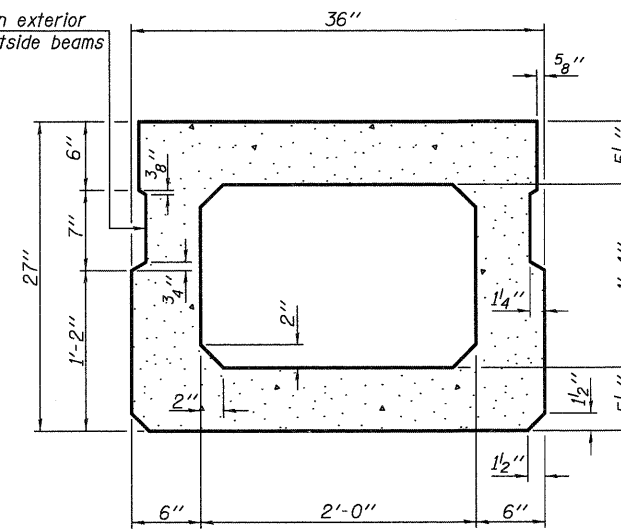
STATE OF ILLINOIS  
DEPARTMENT OF TRANSPORTATION



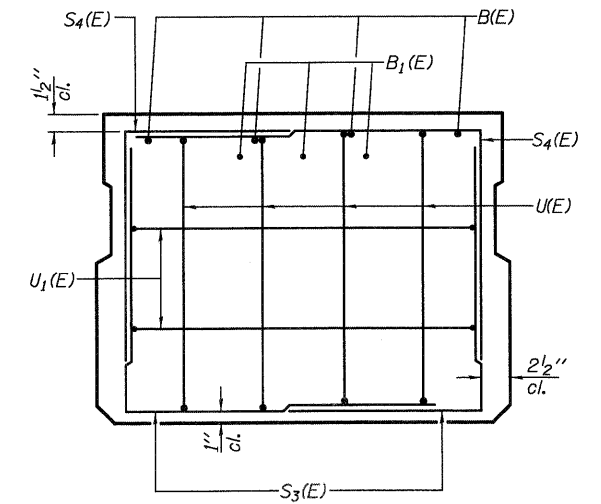
SECTION C-C

\* Rail Post Anchors to be cast into exterior face of outside beams. For location of rail post see sheet 4 of 12.

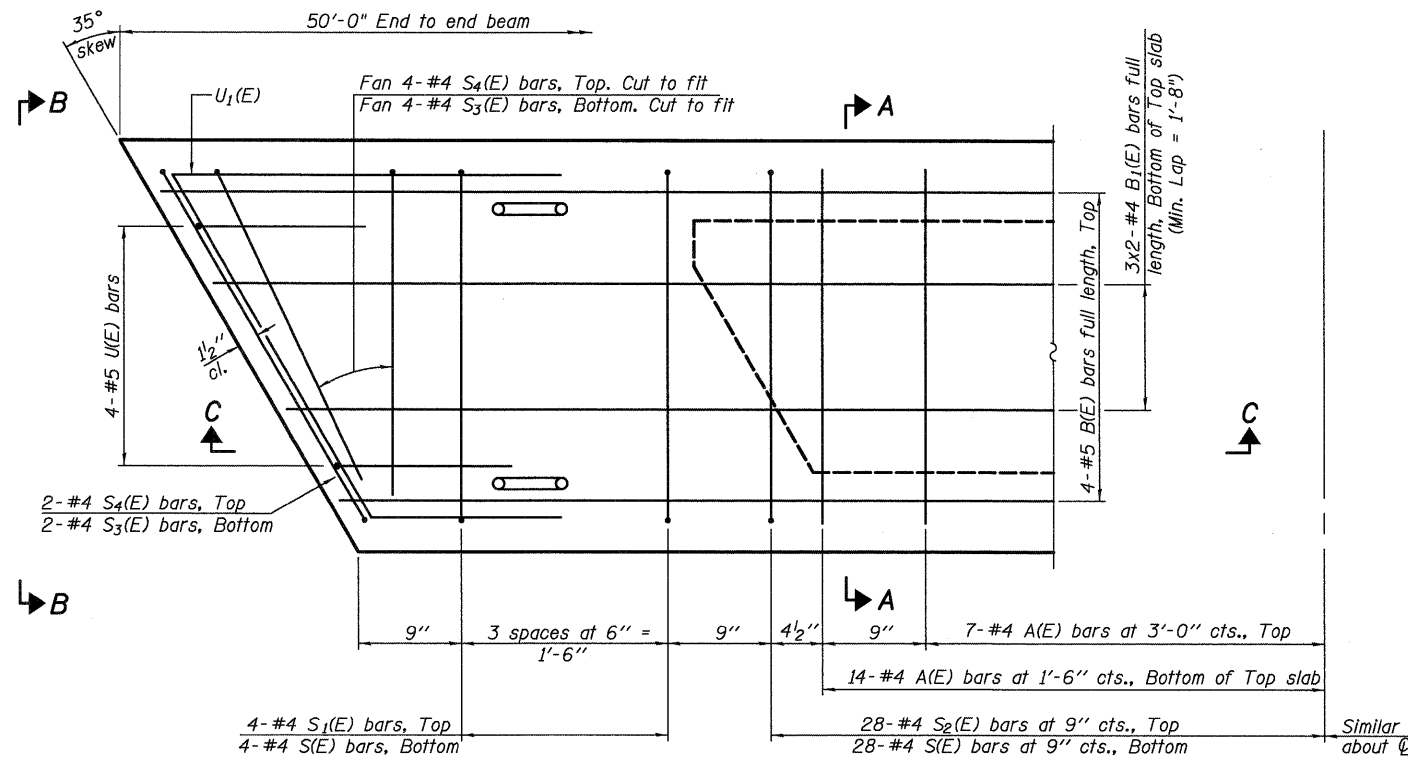
\* Omit key on exterior face of outside beams



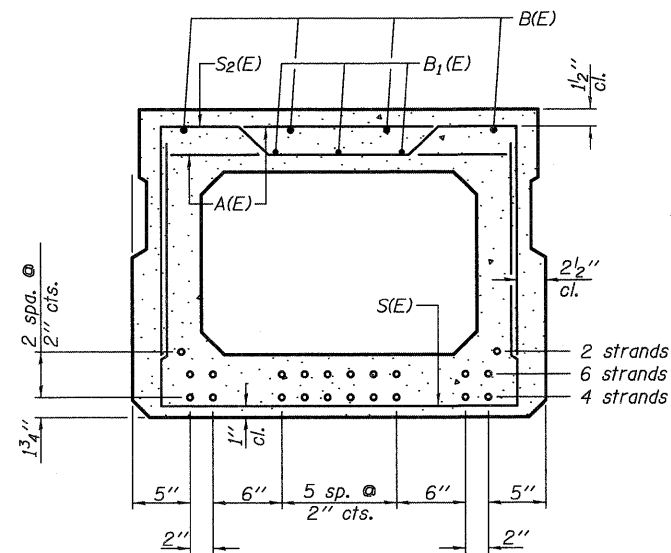
SECTION A-A  
(Showing dimensions)



VIEW B-B



PLAN VIEW



SECTION A-A

(Showing reinforcement and permissible strand locations)  
Note: Place the number of strands specified in each row symmetrically about the centerline of beam in the permissible strand locations shown.

BAR LIST  
ONE BEAM ONLY

(For information only)

Bar	No.	Size	Length	Shape
A(E)	28	#4	2'-7"	—
B(E)	4	#5	49'-9"	—
B1(E)	6	#4	25'-9"	—
S(E)	64	#4	6'-5"	⌋
S1(E)	8	#4	5'-11"	⌋
S2(E)	56	#4	6'-2"	⌋
S3(E)	12	#4	4'-11"	⌋
S4(E)	12	#4	4'-8"	⌋
U(E)	8	#5	4'-6"	⌋
U1(E)	4	#4	7'-3"	⌋

Note: See sheet 3 of 12 for additional details and Bill of Material.

Note: Spacing of S(E) and S2(E) bars may be adjusted up to 4" in the immediate area of the transverse tie diaphragms to miss the block outs for the transverse ties.

DESIGNED - CMV
CHECKED - SDS
DRAWN - DLH
CHECKED - CMV

**WHKS & CO.**  
ENGINEERING  
7018 KINGSMILL CT.,  
SPRINGFIELD, IL  
(217) 483-9457  
DESIGN FIRM #184001038

PD-2736-R 5-16-08

27" X 36" PPC DECK BEAM  
PAWNEE ROAD (FAS 1622)  
OVER BRUSH CREEK

SHEET NO. 2	F.A.S. RTE.	SECTION	COUNTY	TOTAL SHEETS	SHEET NO.
	1622	07-00100-00-BR	SANGAMON	16	6
12 SHEETS	S.N. 084-3037		CONTRACT NO. 93506		
	FED. ROAD DIST. NO. - ILLINOIS FED. AID PROJECT				