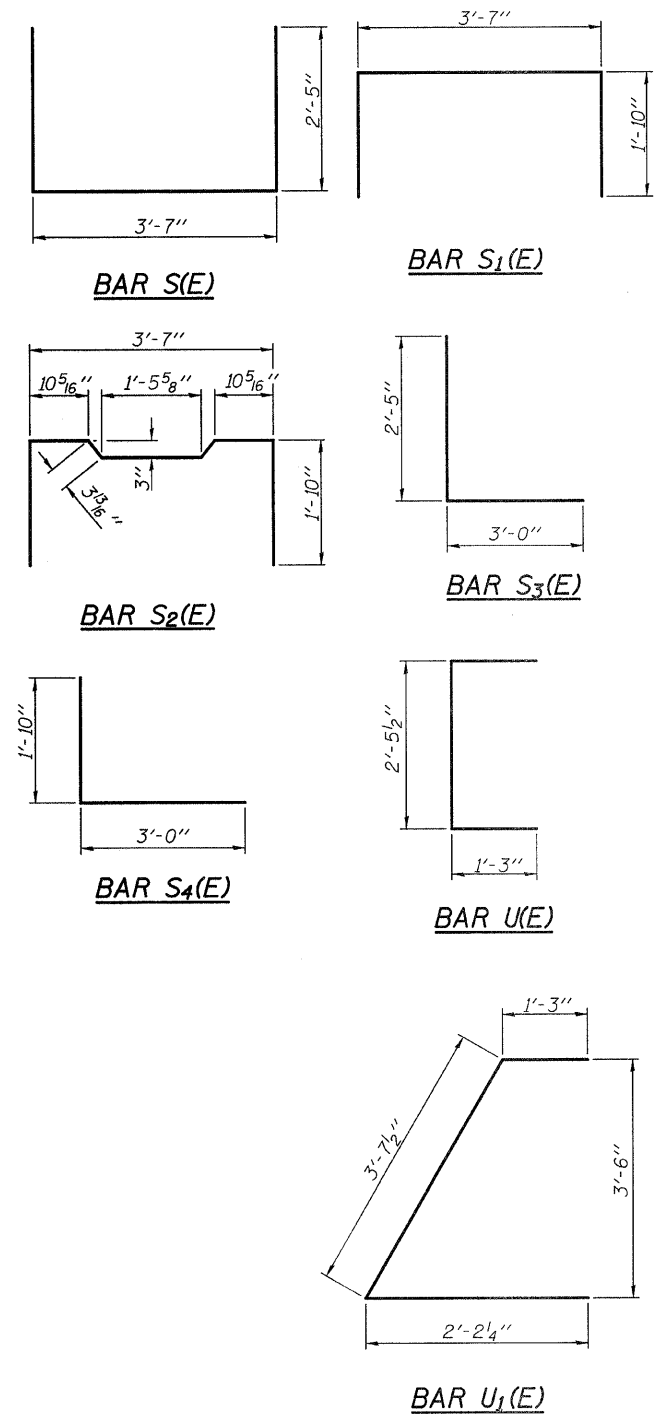
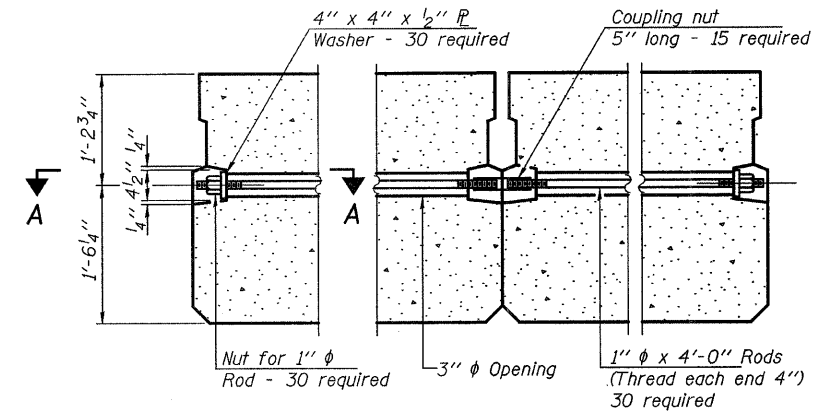
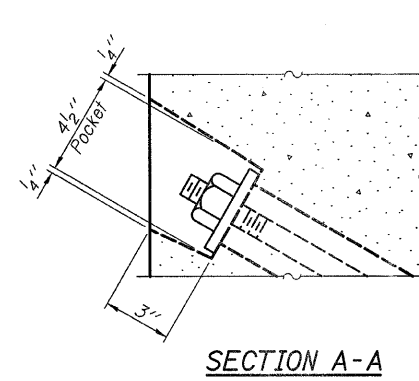
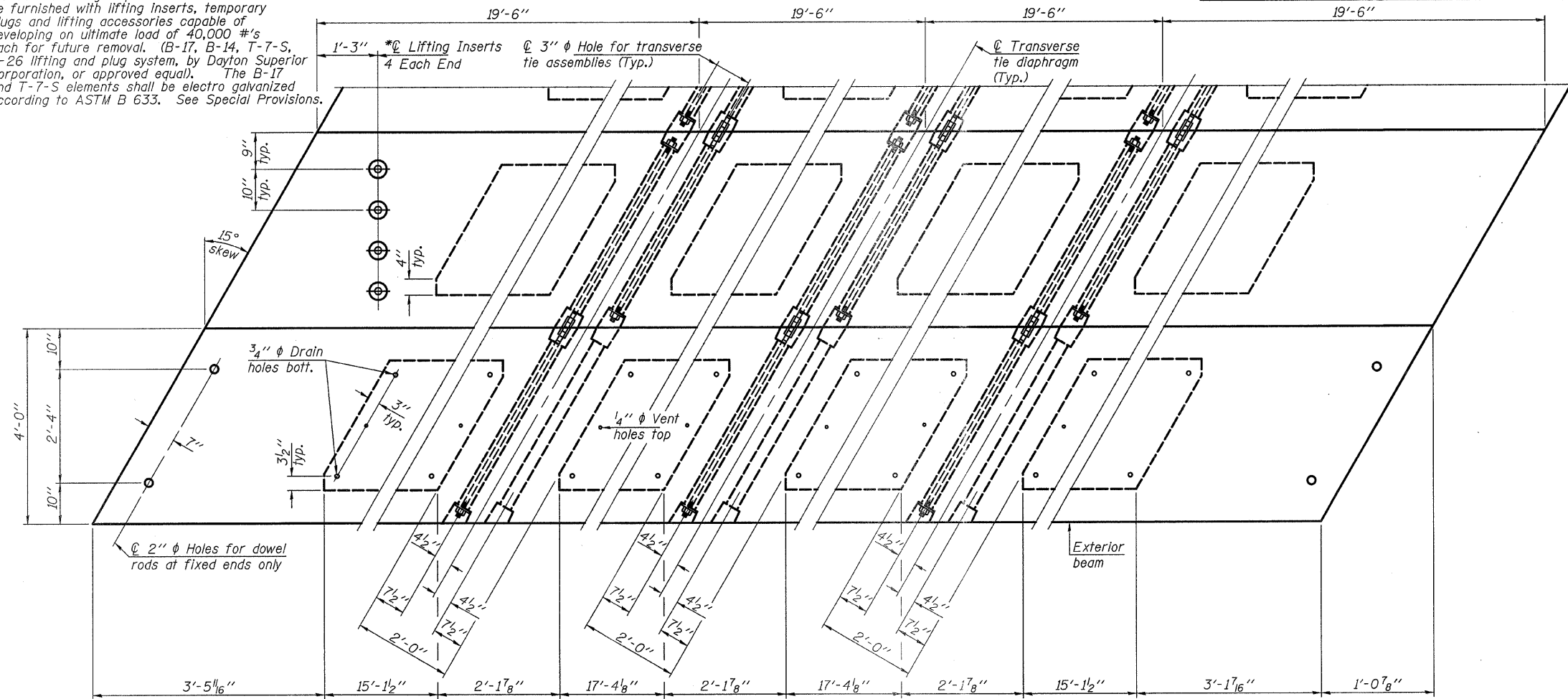


**FIXED**

Note: Omit holes when using expansion bearings.



\*In lieu of lifting loops the beams shall be furnished with lifting inserts, temporary plugs and lifting accessories capable of developing an ultimate load of 40,000 #s each for future removal. (B-17, B-14, T-7-S, T-26 lifting and plug system, by Dayton Superior Corporation, or approved equal). The B-17 and T-7-S elements shall be electro galvanized according to ASTM B 633. See Special Provisions.



**PLAN VIEW**

**NOTES**

Note: Connect beams in pairs with the transverse tie configuration shown.

Prestressing steel shall be uncoated high strength, low relaxation 7-wire strand, Grade 270. The nominal diameter shall be 1/2" and the nominal cross-sectional area shall be 0.153 sq. in. The 1" rods in the transverse tie assembly shall be tightened to a snug fit and the threads set. Pockets on exterior faces of bridge shall be filled with grout after transverse tie assembly is in place. Reinforcement bars shall conform to ASTM A 706, Grade 60. (See Special Provisions). Two 1/8" fabric adjusting shims of the dimensions of the exterior bearing pad shall be provided for each bearing pad location. A minimum 2 1/2" lifting pin shall be used to engage the lifting loops during handling. Corrosion Inhibitor, per Article 1020.05(b)(12) and 1021.06 of the Standard Specifications, shall be used in the concrete for precast prestressed concrete deck beams. Compressive strength of prestressed concrete, f'c, shall be 6000 psi. Compressive strength of prestressed concrete at release, f'ci, shall be 5000 psi.

DESIGNED - S.M.S
CHECKED - S.W.M.
DRAWN - D.A.B.
CHECKED - D.T.M.

PD-3348-LD 5-16-08

**HAMPTON, LENZINI & RENWICK, INC.**  
CIVIL & STRUCTURAL ENGINEERS  
LAND SURVEYORS  
3085 STEVENSON DRIVE, SUITE 201  
SPRINGFIELD, ILLINOIS 62703  
(217) 546-3400  
PROJECT NUMBER: 08.0042.130 DATE: 10/03/08

**BILL OF MATERIAL**

Precast Prestressed Conc. Deck Bms. (33" depth)	Sq. Ft.	1,872
---	---------	-------

**SUPERSTRUCTURE**  
**33" X 48" PPC DECK BEAM DETAILS**  
**STRUCTURE NO. 084-3556**

T.R.	SECTION	COUNTY	TOTAL SHEETS	SHEET NO.
348	07-09101-02-BR	SANGAMON	16	11
COTTON HILL ROAD DISTRICT		CONTRACT NO. 93507		
ILLINOIS FED. AID PROJECT				