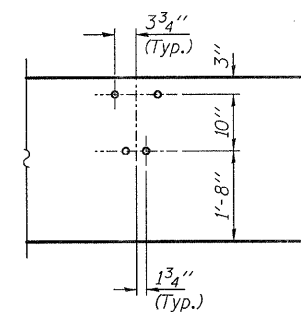
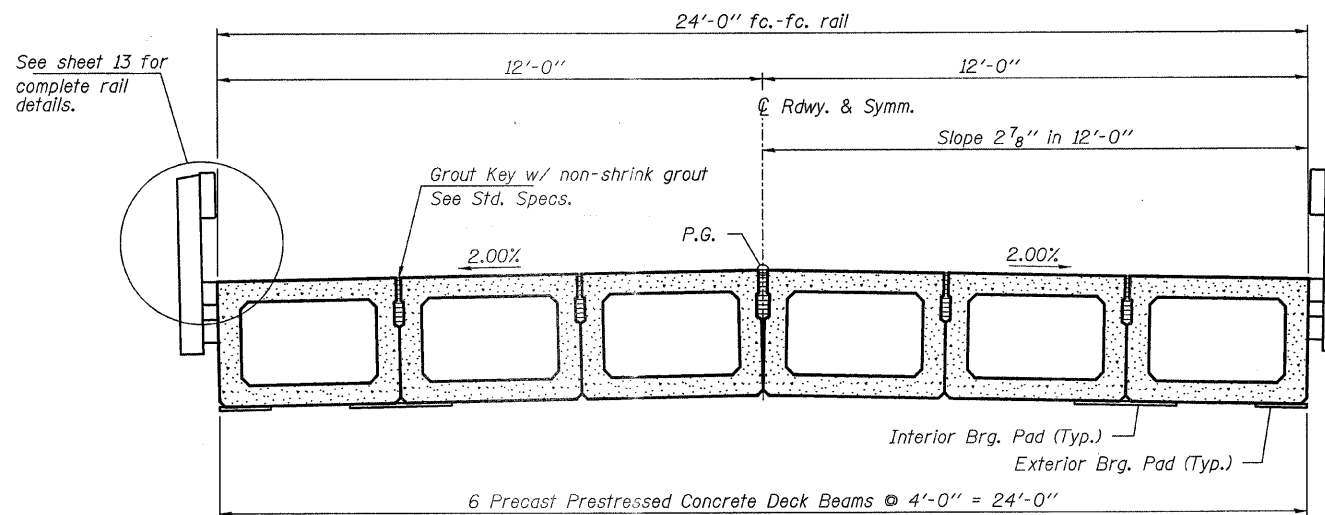


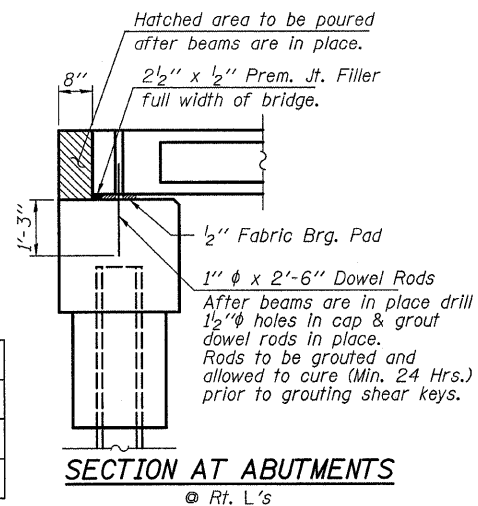
ELEVATION
Showing Rail Post Spaces
See sheet 13 for Railing Details.



DETAIL A



CROSS SECTION
See sheets 10 & 11 for Superstructure.



SECTION AT ABUTMENTS
© Rt. L's

DESIGNED - S.M.S
CHECKED - S.W.M.
DRAWN - D.A.B.
CHECKED - D.T.M.

SUPERSTRUCTURE DETAILS
STRUCTURE NO. 084-3556

HAMPTON, LENZINI & RENWICK, INC.
CIVIL & STRUCTURAL ENGINEERS
LAND SURVEYORS
HLR
3085 STEVENSON DRIVE, SUITE 201
SPRINGFIELD, ILLINOIS 62703
(217) 546-3400
PROJECT NUMBER: 08.0042.130 DATE: 10/03/08

T.R.	SECTION	COUNTY	TOTAL SHEETS	SHEET NO.
348	07-09101-02-BR	SANGAMON	16	12
COTTON HILL ROAD DISTRICT		CONTRACT NO. 93507		
ILLINOIS FED. AID PROJECT				