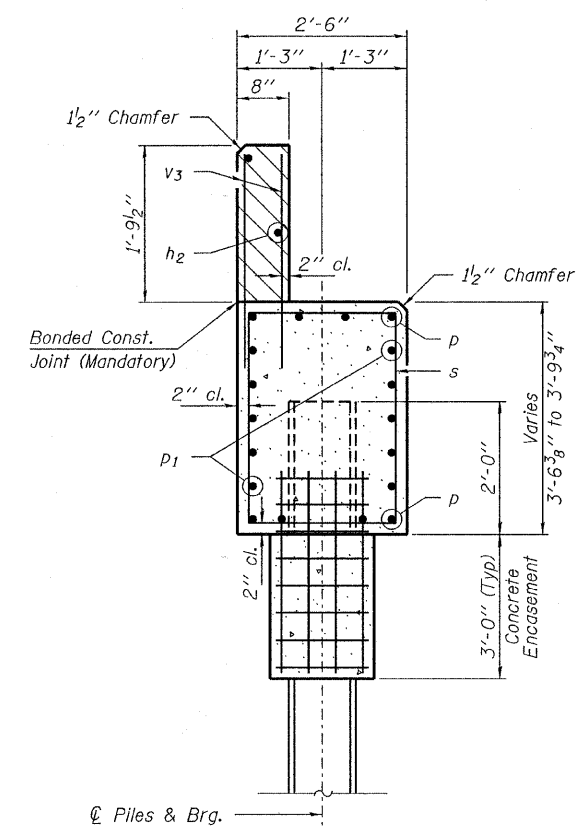
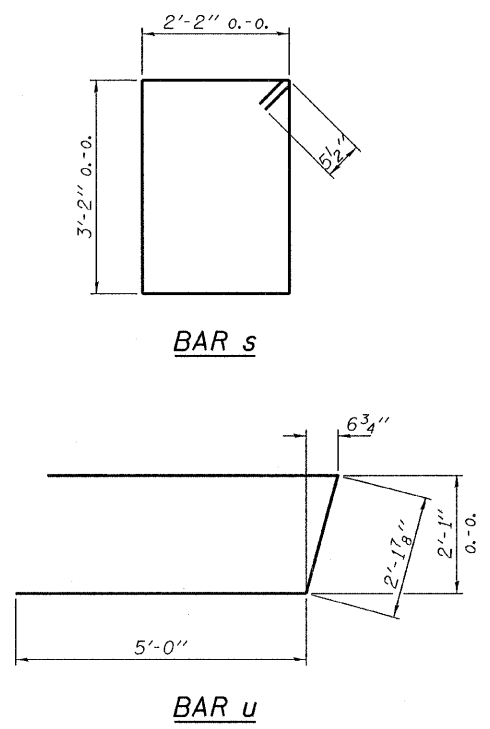


PLAN



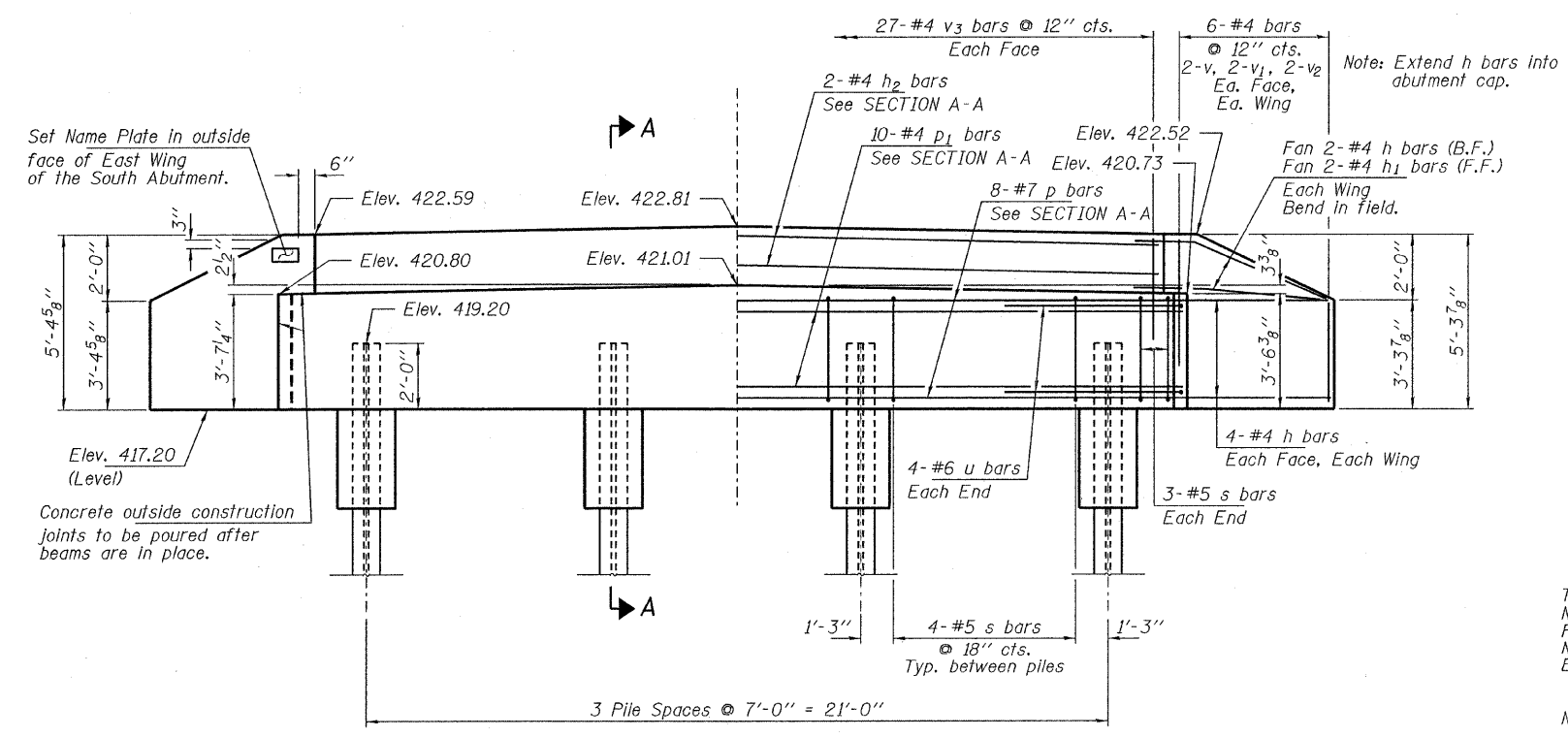
SECTION A-A

Hatched area to be poured after beams are in place.



BAR s

BAR u



ELEVATION

PILE DATA

Type ----- Steel HP10x42
 No. Req'd. (S. Abut.) ----- 4
 Factored Resistance Available (Rf) ----- 167 Kips/Pile
 Nominal Required Bearing (Rn) ----- 335 Kips/Pile
 Est. Length ----- 45 Ft/Pile

Note: The Steel H-Piles shall be according to AASHTO M270 Grade 50.

BILL OF MATERIAL - S. ABUT.

BAR	NO.	SIZE	LENGTH	SHAPE
h	20	#4	6'-3"	—
h ₁	4	#4	4'-9"	—
h ₂	2	#4	26'-1"	—
p	8	#7	26'-1"	—
p ₁	10	#4	26'-1"	—
s	18	#5	11'-7"	□
u	8	#6	12'-2"	U
v	8	#4	4'-11"	—
v ₁	8	#4	4'-1"	—
v ₂	8	#4	3'-1"	—
v ₃	54	#4	2'-8"	—
Concrete Structures			Cu. Yd.	11.7
Concrete Encasement			Cu. Yd.	1.4
Reinforcement Bars			Pound	1,255
Steel Piles HP10x42			Foot	180
Name Plates			Each	1

DESIGNED - A.S.L.
CHECKED - S.W.M.
DRAWN - D.A.B.
CHECKED - D.T.M.

**SOUTH ABUTMENT
STRUCTURE NO. 024-3137**

HAMPTON, LENZINI & RENWICK, INC. CIVIL & STRUCTURAL ENGINEERS LAND SURVEYORS 3085 STEVENSON DRIVE, SUITE 201 SPRINGFIELD, ILLINOIS 62703 (217) 546-3400	SHEET NO. 6 9 SHEETS	C.H.	SECTION	COUNTY	TOTAL SHEETS	SHEET NO.
		4	07-00064-00-BR	EDWARDS	13	10
PROJECT NUMBER: 09.0047.130		DATE: 10/15/09		CONTRACT NO. 95606		
FED. ROAD DIST. NO.		ILLINOIS		FED. AID PROJECT		