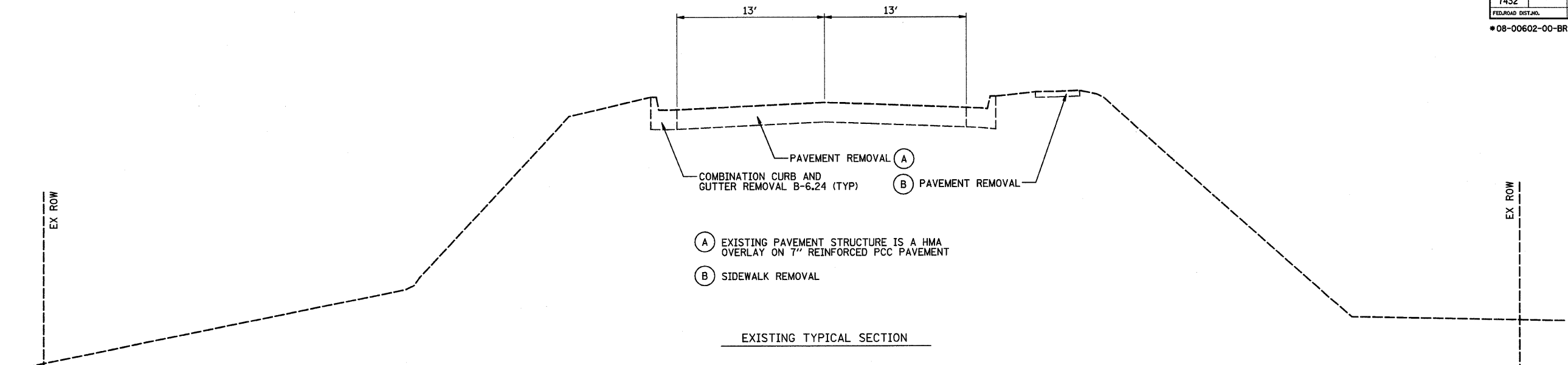


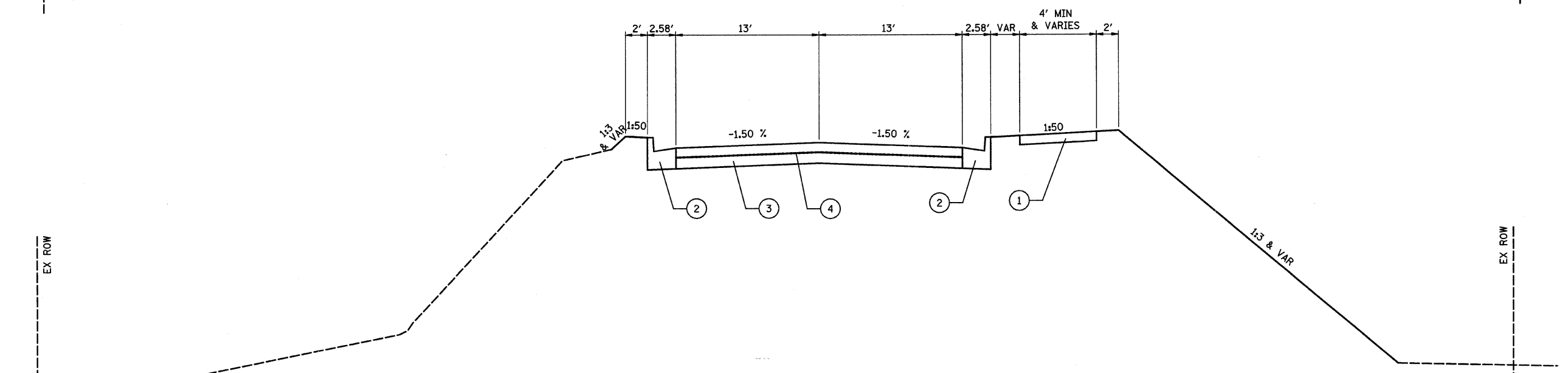
ROUTE NO. FAU 7432	SECTION *	COUNTY MACON	TOTAL SHEETS 47	SHEET NO. 3
FEDERAL DIST. NO.	ILLINOIS	PROJECT		

*08-00602-00-BR



- (A) EXISTING PAVEMENT STRUCTURE IS A HMA OVERLAY ON 7" REINFORCED PCC PAVEMENT
- (B) SIDEWALK REMOVAL

EXISTING TYPICAL SECTION



PROPOSED TYPICAL SECTION
 STA. 8+00.00 TO STA. 8+93.70
 STA. 11+06.29 TO STA. 12+00

- ① PORTLAND CEMENT CONCRETE SIDEWALK 5 INCH
- ② COMBINATION CONCRETE CURB AND GUTTER, TYPE B-6.24
- ③ BRIDGE APPROACH PAVEMENT CONNECTOR (PCC), 7"
- ④ PAVEMENT REINFORCEMENT

TYPICAL SECTIONS

REVISIONS		SECTION 08-00602-00-BR MACARTHUR RD OVER STEVENS CR		DRAWN BY	DATE
1		CITY OF DECATUR	MACON COUNTY	DLB	7/09
2				CHECKED BY	DATE
3				PPW	7/09
4				BOOK NUMBER	486
5				PROJECT No.	5307
6				SHEET No.	
7					
8					
9					
10					

HOMER L. CHASTAIN & ASSOCIATES, LLP
 CONSULTING ENGINEERS
 DECATUR CHICAGO
 (617) 422-8644 (773) 714-0060
 ROCKFORD
 (815) 489-0060
 184-001377