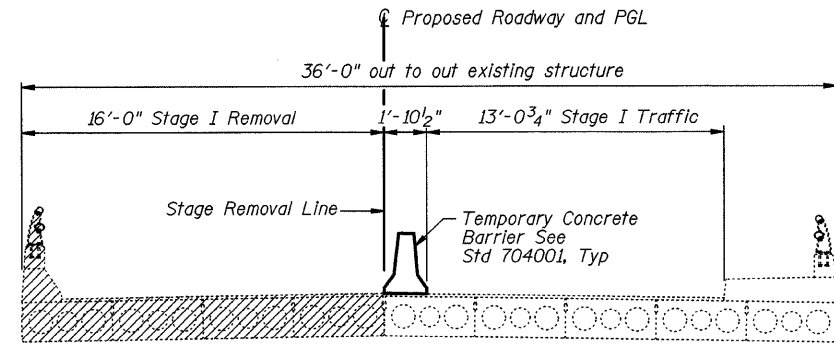
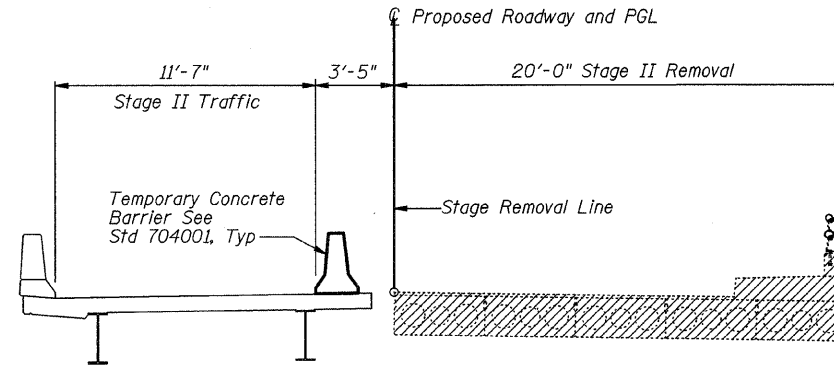


ROUTE NO.	SECTION	COUNTY	TOTAL SHEETS	SHEET NO.
FAU 7432	*	MACON	47	14
FEDERAL DIST. NO.		ILLINOIS	PROJECT	

• 08-00602-00-BR

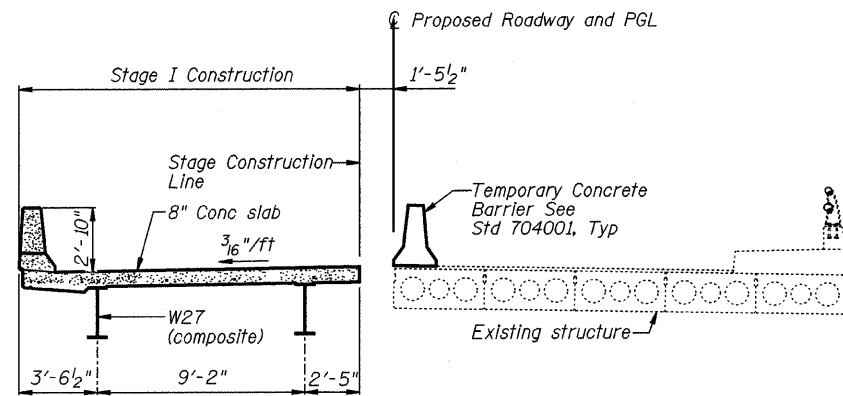


**STAGE I REMOVAL**  
Looking North

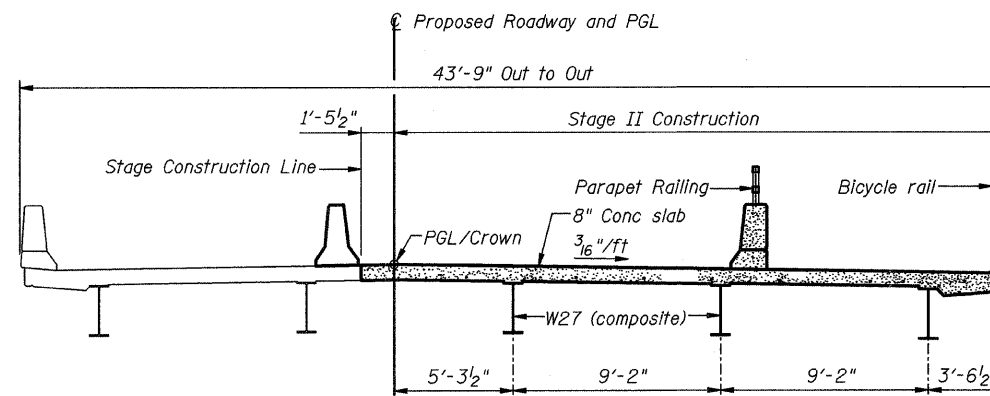


**STAGE II CROSS SECTION**  
Looking North

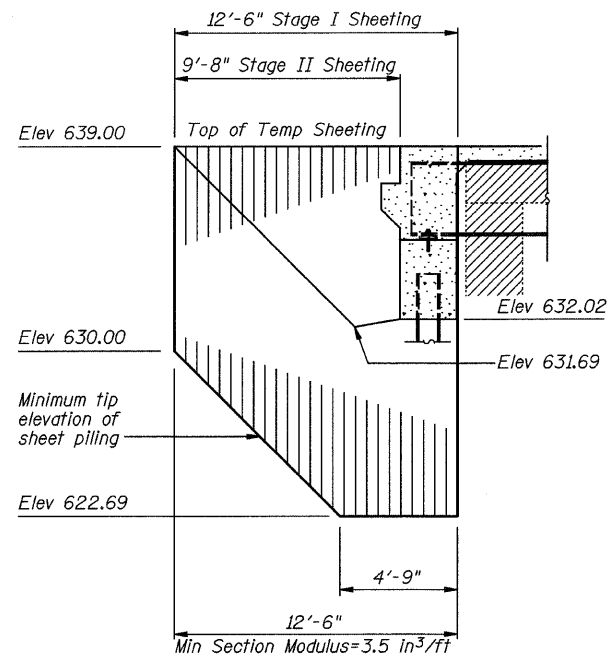
Note:  
Cantilever forming brackets from Stage I construction shall be left in place until Stage II construction is complete and deck has cured a minimum of 7 days. Brackets are left in place to minimize deck deflections due to temporary concrete barrier.



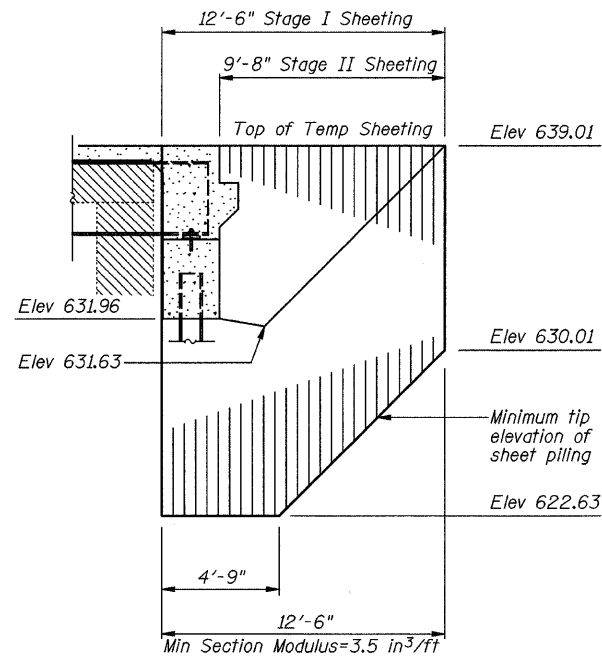
**STAGE I CONSTRUCTION**  
Looking North



**STAGE II CROSS SECTION**  
Looking North



**TEMPORARY SHEET PILING**  
At S. Abut



**TEMPORARY SHEET PILING**  
At N. Abut

**NOTES:**

If the Contractor chooses to alter the temporary cantilevered sheet piling design requirements shown on the plans, a design submittal including plan details and calculations will be required for review and acceptance by the Engineer.

For quantity of Temporary Road Barrier See Roadway Plans.

Hatched area indicates Removal of Existing Structures.

For details of Temporary Concrete Barrier See Sheet 5 of 26

**BILL OF MATERIAL**

Item	Unit	Total
Temporary Sheet Piling	Sq. Ft.	352

MACARTHUR ROAD (FAU 7432) OVER STEVENS CREEK

**STAGE CONSTRUCTION DETAILS**

REVISIONS	SECTION 08-00602-00-BR	MACARTHUR ROAD (FAU 7432)	DRAWN BY DATE
1	STA 10+00.00	SN 058-6025	R KING 07/09
2		MACON COUNTY	CHECKED BY DATE
3			JMS 07/09
4			BOOK NUMBER
5			486
6			PROJECT No.
7			5307
8			SHEET No.
9			
10			

HOMER L. CHASTAIN & ASSOCIATES, LLP  
CONSULTING ENGINEERS  
DECATUR CHICAGO  
(217) 423-8544 (773) 714-0080  
ROCKFORD  
(815) 489-0060  
164-00127