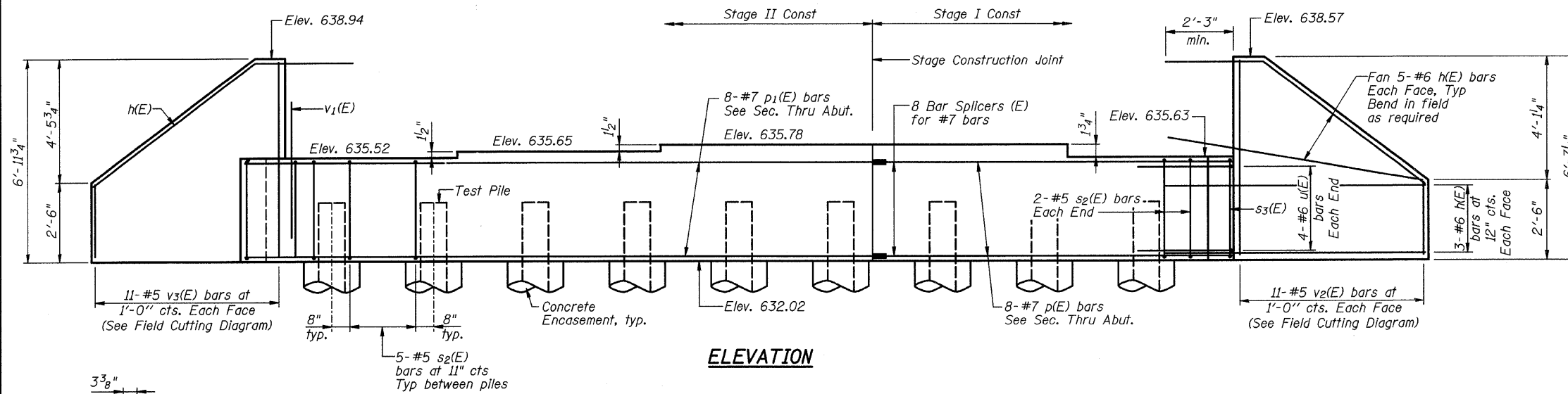
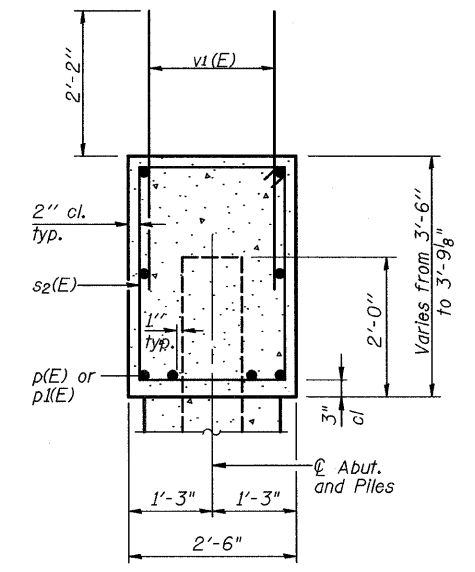


ROUTE NO.	SECTION	COUNTY	TOTAL SHEETS	SHEET NO.
FAU 7432	*	MACON	47	30
FED. ROAD DIST. NO.	ILLINOIS	PROJECT		

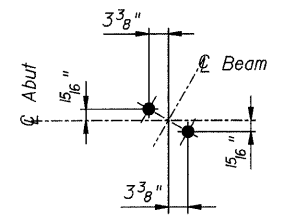
08-00602-00-BR



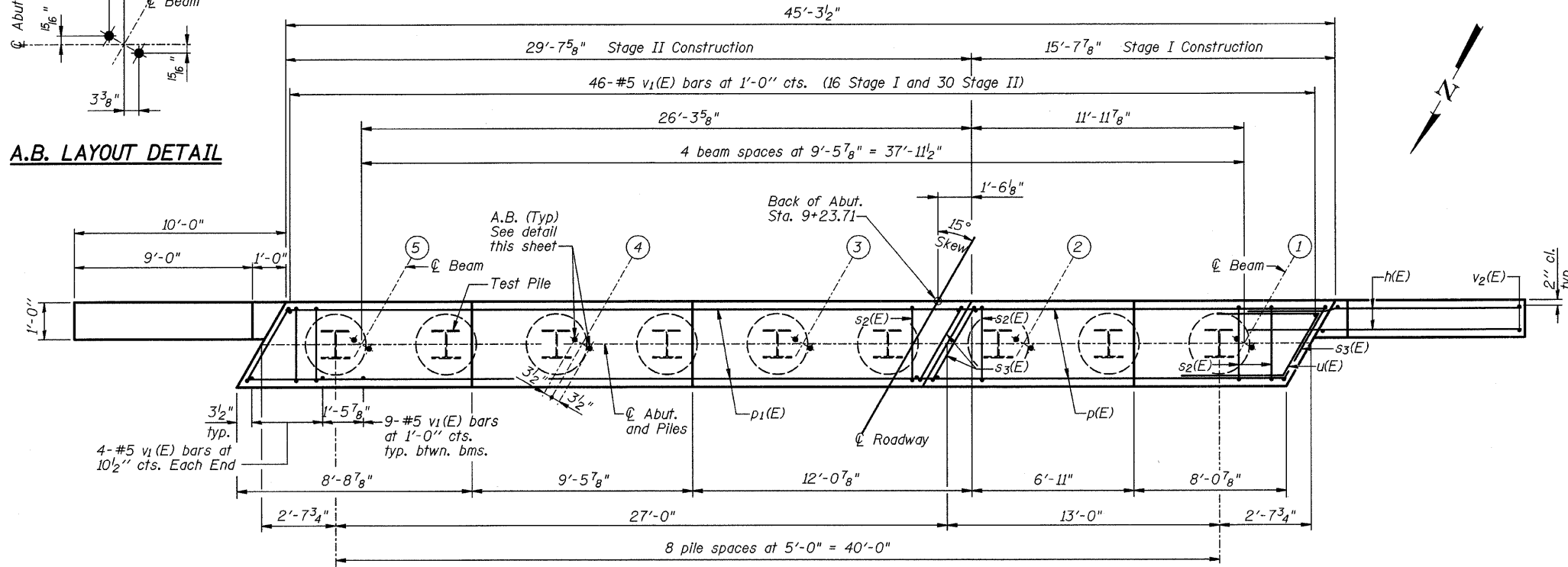
ELEVATION



SEC. THRU ABUT.



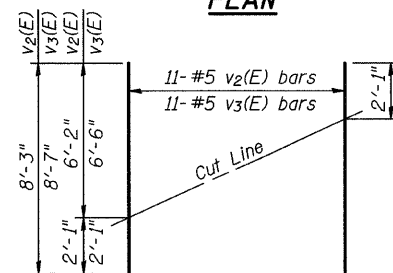
A.B. LAYOUT DETAIL



PLAN

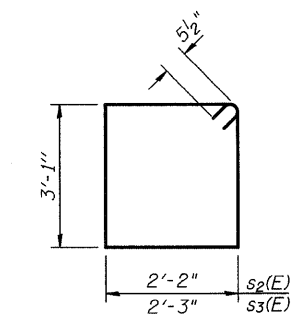
PILE DATA

Type: Steel HPI2x53
Nominal Required Bearing: 231 kips
Factored Resistance Available: 77 kips
Est. Length: 40'
No. Production Piles: 8
No. Test Piles: 1

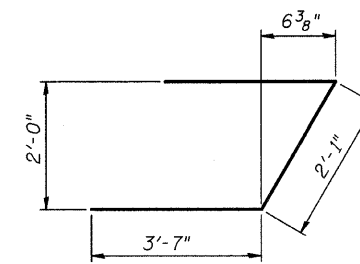


FIELD CUTTING DIAGRAM

Order v2(E) & v3(E) full length. Cut as shown and use remainder of bars in opposite face.



BARS s2(E) & s3(E)



BAR u(E)

BILL OF MATERIAL

Bar No.	Size	Length	Shape
h(E)	#6	13'-2"	
p(E)	#7	15'-3"	
p1(E)	#7	29'-3"	
s2(E)	#5	11'-5"	□
s3(E)	#5	11'-7"	□
u(E)	#6	9'-3"	└
v1(E)	#5	4'-4"	
v2(E)	#5	8'-3"	
v3(E)	#5	8'-7"	
Structure Excavation	Cu. Yd.	142	
Concrete Structures	Cu. Yd.	17.3	
Reinforcement Bars, Epoxy Coated	Pound	2650	
Furnishing Steel Piles HPI2x53	Foot	320	
Driving Piles	Foot	320	
Test Pile Steel HPI2x53	Each	1	
Concrete Encasement	Cu. Yd.	3.2	

Note:
Four steps monolithically with cap.
Reinforcement Bars designated (E) shall be epoxy coated.
For details of Bar Splicers, see sheet 25 of 26.
For details of piles and Concrete Encasement, see sheet 24 of 26.
All edges shall have standard 3/4" chamfer.
Space reinforcement in cap to miss anchor bolts.

MACARTHUR ROAD (FAU 7432) OVER STEVENS CREEK

SOUTH ABUTMENT DETAILS

REVISIONS		SECTION 08-00602-00-BR	MACARTHUR ROAD (FAU 7432)	DRAWN BY DATE
No.	DATE	INITIALS	SN 058-6025	R KING 07/09
1			MACON COUNTY	CHECKED BY DATE
2				JMB 07/09
3				BOOK NUMBER
4				486
5				PROJECT NO.
6				5307
7				SHEET NO.
8				
9				
10				

HOMER L. CHASTAIN & ASSOCIATES, LLP
CONSULTING ENGINEERS
DECATUR CHICAGO
(317) 422-8444 (773) 714-0050
ROCKFORD
(815) 489-0050