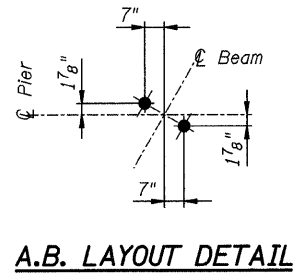


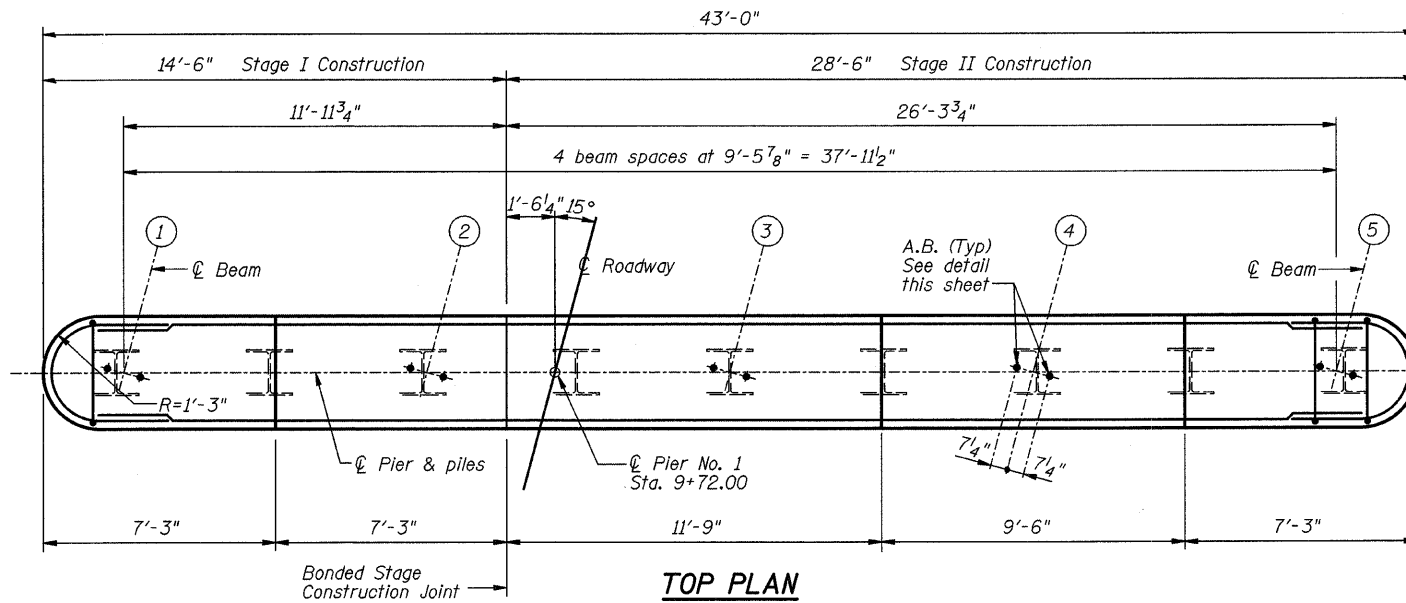
Sheet No. 22  
of 26 Sheets

ROUTE NO.	SECTION	COUNTY	TOTAL SHEETS	SHEET NO.
FAU 7432	*	MACON	47	32
FEDERAL DIST. NO.	ILLINOIS	PROJECT		

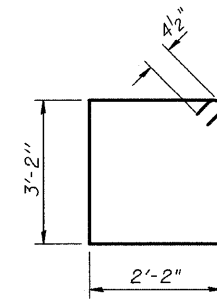
• 08-00602-00-BR



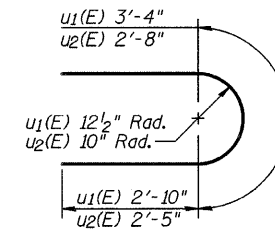
A.B. LAYOUT DETAIL



TOP PLAN



BAR s4(E)

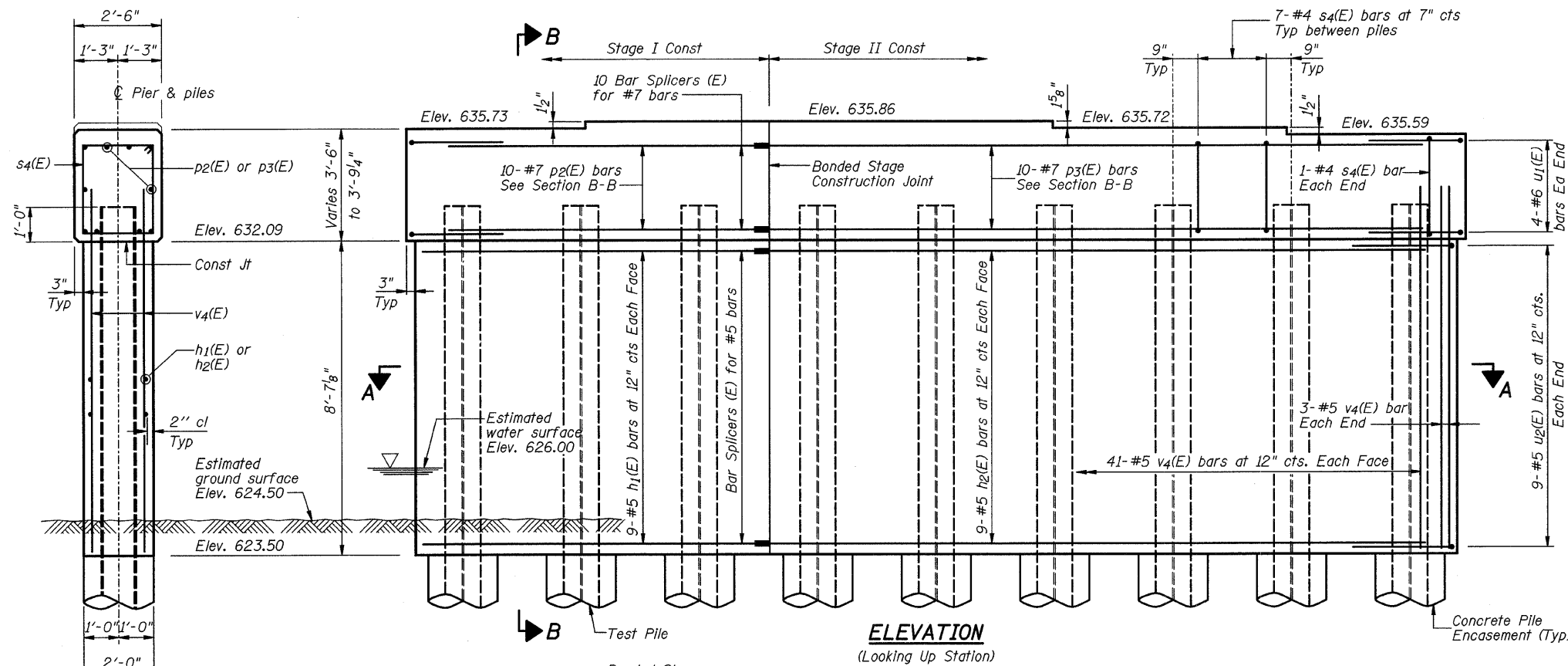


BARS u1(E) & u2(E)

BILL OF MATERIAL

Bar	No.	Size	Length	Shape
h1(E)	18	#5	12'-8"	—
h2(E)	18	#5	27'-3"	—
p2(E)	10	#7	12'-11"	—
p3(E)	10	#7	27'-6"	—
s4(E)	58	#4	11'-5"	□
u1(E)	8	#6	9'-0"	U
u2(E)	18	#5	7'-6"	U
v4(E)	88	#5	9'-8"	—
Structure Excavation			Cu. Yd.	28
Concrete Structures			Cu. Yd.	41.7
Reinforcement Bars, Epoxy Coated			Pound	3010
Furnishing Steel Piles HP12x53			Foot	540
Driving Piles			Foot	540
Concrete Encasement			Cu. Yd.	3.2
Concrete Sealer			Sq. Ft.	1092
Underwater Structure Excavation Protection Location 1			Each	1

Note:  
Pour steps monolithically with cap.  
Reinforcement Bars designated (E) shall be epoxy coated.  
For details of Bar Splicers, see sheet 25 of 26.  
For details of piles and Concrete Encasement, see sheet 24 of 26.  
All edges shall have standard 3/4" chamfer.  
Space reinforcement in cap to miss anchor bolts.  
If a portion of the pier wall or concrete encasement is under water, reinforcement may be placed underwater into forms. Concrete shall be tremied according to Article 503.08 of the Standard Specifications to an elevation of 1'-0" above the water line at the time of construction.  
All exposed concrete shall have Concrete Sealer applied.

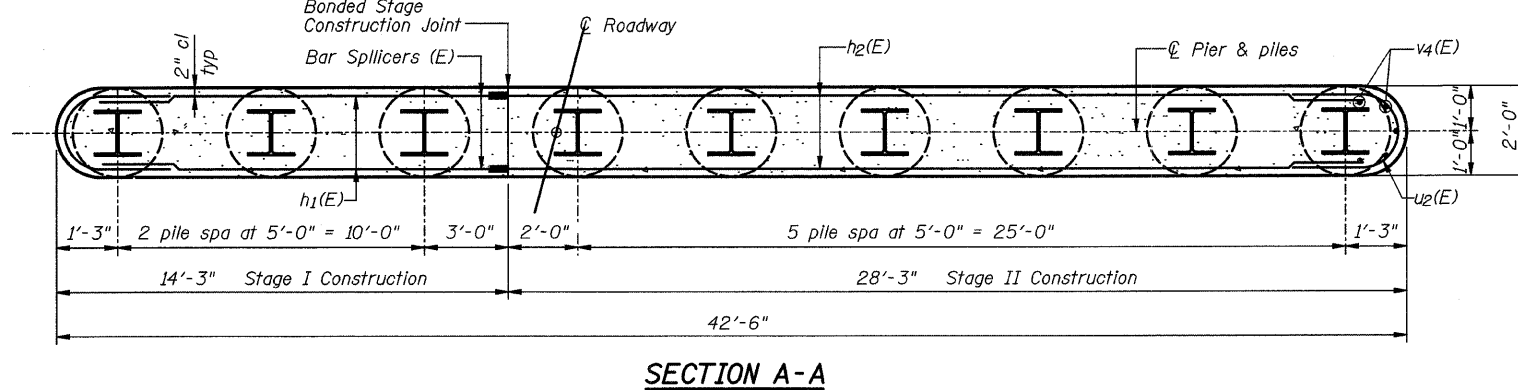


ELEVATION  
(Looking Up Station)

SECTION B-B

PILE DATA

Type: Steel HP12x53  
Nominal Required Bearing: 309 kips  
Allowable Resistance Available: 103 kips  
Est. Length: 60'  
No. Req'd: 9  
Test Pile: 0



SECTION A-A

MACARTHUR ROAD (FAU 7432) OVER STEVENS CREEK

PIER NO. 1 DETAILS

REVISIONS	SECTION 08-00602-00-BR	MACARTHUR ROAD (FAU 7432)	DRAWN BY DATE
NO. DATE INITIALS	STA 10+00.00	SN 058-6025	R KING 07/09
1		MACON COUNTY	CHECKED BY DATE
2			JMB 07/09
3			BOOK NUMBER
4			486
5			PROJECT NO.
6			5307
7			SHEET NO.
8			
9			
10			

HOMER L. CHASTAIN & ASSOCIATES, LLP  
CONSULTING ENGINEERS  
184-001397  
DECATUR CHICAGO  
(317) 422-8441 (773) 714-0060  
ROCKFORD  
(815) 489-0060