

P:\000184a\DWG\LATEST DWGS (BJG 11-06)\DWG\COVER, NOTES, SCHEDULES, TYPICALS, & DETAILS.dwg 7/26/2007 6:55:20 AM CDT

FAP ROUTE	IDOT SECTION	COUNTY
600	01-00026-00-SW	ST. CLAIR
FEDERAL AID PROJECT		ILLINOIS
IDOT JOB NO.	CMF-0600(058)	
IDOT CONTRACT NO.	97318	

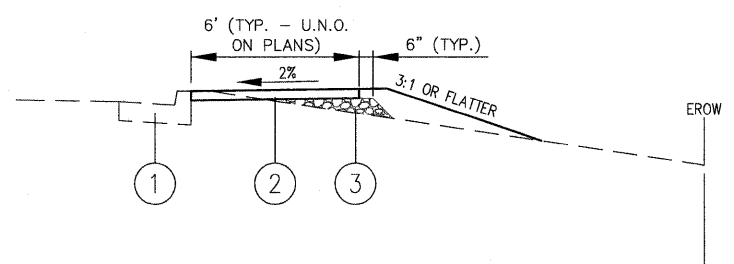
**THOUVENOT, WADE & MOERCHEN, INC.**  
ENGINEERS ♦ SURVEYORS ♦ PLANNERS



- CORPORATE OFFICE**  
4940 OLD COLLINSVILLE RD.  
SWANSEA, ILLINOIS 62226  
TEL (618) 624-4488  
FAX (618) 624-6688  
corp@twm-inc.com
- CARBONDALE OFFICE**  
206 WEST COLLEGE STREET  
CARBONDALE, ILLINOIS 62901  
TEL (618) 549-8844  
FAX (618) 549-8450  
carbondale@twm-inc.com
- EDWARDSVILLE OFFICE**  
1015B CENTURY DRIVE  
EDWARDSVILLE, ILLINOIS 62025  
TEL (618) 656-4040  
FAX (618) 656-4343  
edwardsville@twm-inc.com
- ST. LOUIS OFFICE**  
1001 CRAIG ROAD, SUITE 260  
ST. LOUIS, MISSOURI 63146  
TEL (314) 236-5052  
FAX (314) 872-2194  
stlouis@twm-inc.com
- WATERLOO OFFICE**  
113 SOUTH MAIN STREET  
WATERLOO, ILLINOIS 62298  
TEL (618) 939-5050  
FAX (618) 939-3938  
waterloo@twm-inc.com

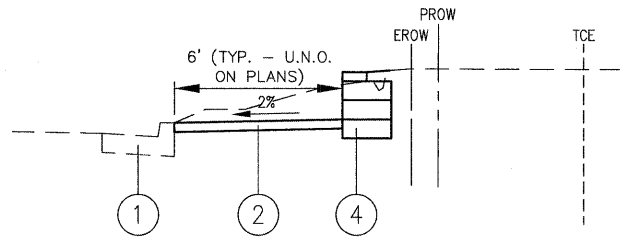
LEGEND	
①	EXISTING CURB & GUTTER, TYPE B6.24
②	PROPOSED PCC SIDEWALK 4"
③	PROPOSED SUB-BASE GRANULAR MATERIAL, TYPE C
④	PROPOSED SEGMENTAL CONCRETE BLOCK WALL
⑤	PROPOSED PCC SIDEWALK 4", SPECIAL
⑥	PROPOSED RETAINING WALL SPECIAL
⑦	PROPOSED PIPE HANDRAIL

EXIST. SIDEWALK TO REMAIN STA 106+20 TO STA 108+67  
EXIST. SIDEWALK TO REMAIN STA 110+56 TO STA 118+16



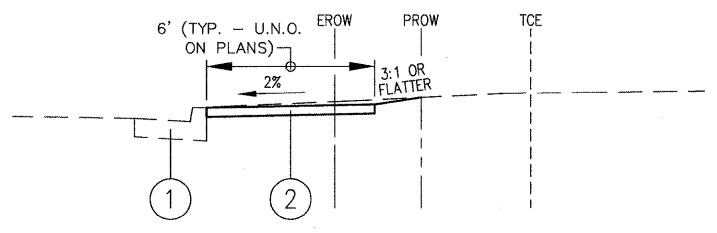
**IL RTE. 159 SIDEWALKS  
PROPOSED TYPICAL FILL SECTION**

- STA. 79+15 TO STA. 82+13
- STA. 90+94 TO STA. 94+90
- STA. 97+43 TO STA. 99+50
- STA. 118+16 TO STA. 120+50
- STA. 133+00 TO STA. 135+78
- STA. 136+45 TO STA. 136+79



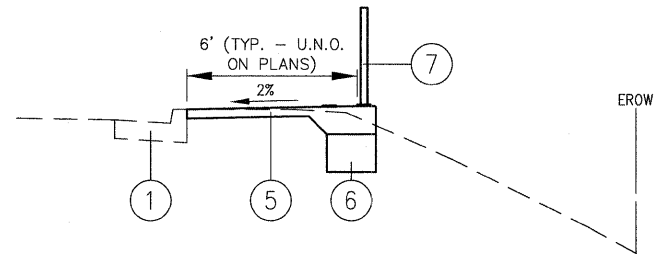
**IL RTE. 159 SIDEWALKS  
PROPOSED TYPICAL RETAINING WALL SECTION**

- STA. 121+75 TO STA. 124+05 \*
- STA. 126+12 TO STA. 126+41
- STA. 135+78 TO STA. 136+45
- \* GEOGRID SYSTEM NOT TO BE USED AT THIS LOCATION



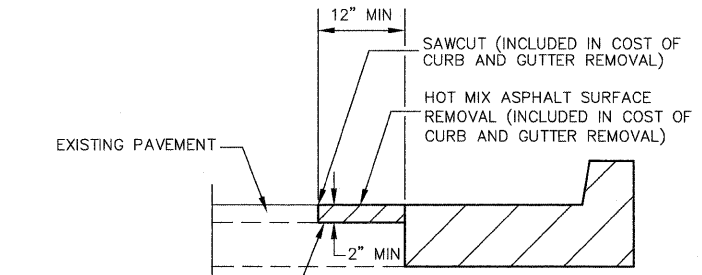
**IL RTE. 159 SIDEWALKS  
PROPOSED TYPICAL CUT SECTION**

- STA. 82+53 TO STA. 85+10
- STA. 85+76 TO STA. 90+94
- STA. 99+50 TO STA. 106+62
- STA. 108+67 TO STA. 109+61
- STA. 120+50 TO STA. 121+75
- STA. 124+05 TO STA. 126+12
- STA. 126+41 TO STA. 133+00

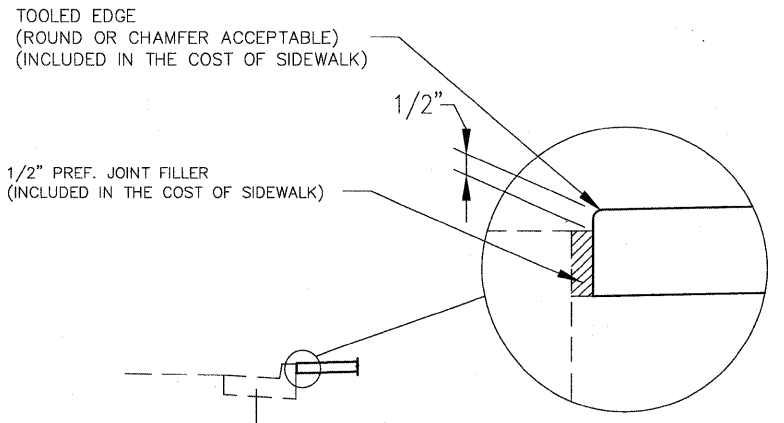


**IL RTE. 159 SIDEWALKS (SPECIAL)  
PROPOSED TYPICAL RETAINING WALL SECTION  
W/ PIPE HANDRAIL**

- STA. 82+13 TO STA. 82+53\*
- STA. 85+10 TO STA. 85+76\*
- STA. 94+90 TO STA. 97+43
- STA. 109+61 TO STA. 110+56
- \* RETAINING WALL SPECIAL NOT TO BE USED AT THIS LOCATION



**IL RTE. 159 SIDEWALKS  
TYPICAL AT ALL CURB AND GUTTER REMOVAL**



**IL RTE. 159 SIDEWALKS  
TYPICAL ON ALL PROPOSED SIDEWALK LOCATIONS**

**TYPICAL SIDEWALK SECTIONS**

**PEDESTRIAN SIDEWALKS  
ALONG ILLINOIS ROUTE 159  
VILLAGE OF SWANSEA  
ST. CLAIR COUNTY, ILLINOIS**

REV.	DATE	DESCRIPTION
△		
△		
△		

PLAN STATUS:	
<b>100%</b> <b>7/15/09</b>	
<input type="checkbox"/> ISSUED FOR REVIEW	<input type="checkbox"/> ISSUED FOR BIDDING
<input checked="" type="checkbox"/> ISSUED FOR CONSTR.	<input type="checkbox"/> RECORD DRAWING
DRAWN BY: BJC	SHEET
DESIGNED BY: BJC	<b>3</b>
CHECKED BY: JWJ	OF 83 SHEETS
APPROVED BY: SJK	PROJECT DESCRIPTION
PROJECT NUMBER: T16000184A	SWANSEA SIDEWALKS