

P:\000184\DWG\LATEST DWGS (BJG 11-06)\DWG\COVER, NOTES, SCHEDULES, TYPICALS, & DETAILS.dwg 7/26/2007 6:55:20 AM CDT

FAP ROUTE	IDOT SECTION	COUNTY
600	01-00026-00-SW	ST. CLAIR
FEDERAL AID PROJECT		ILLINOIS
IDOT JOB NO.	CMF-0600(058)	
IDOT CONTRACT NO.	97318	

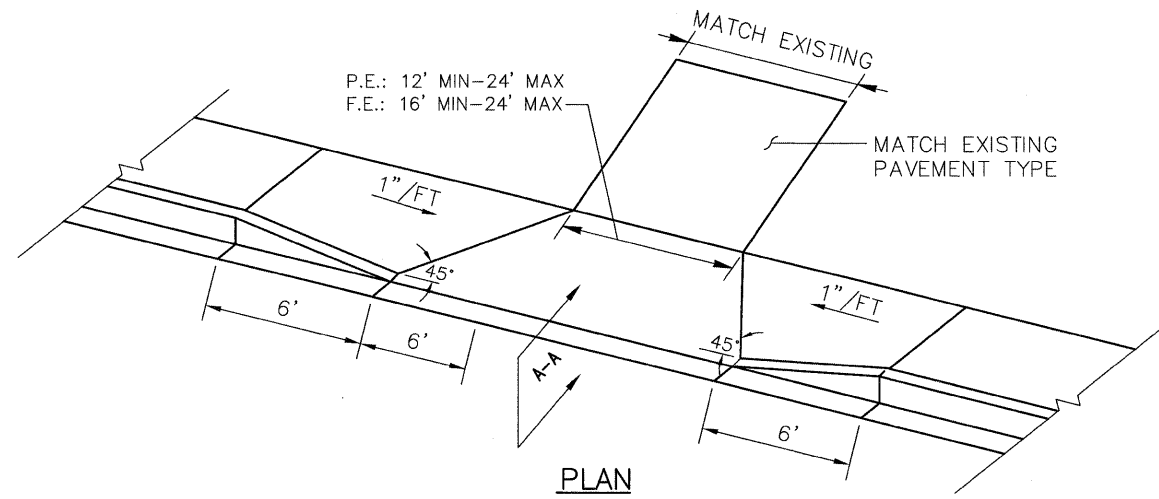
THOUVENOT, WADE & MOERCHEN, INC.
ENGINEERS ♦ SURVEYORS ♦ PLANNERS



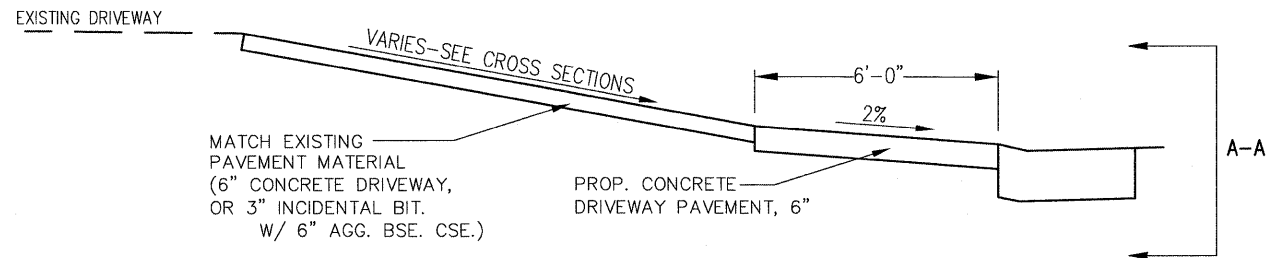
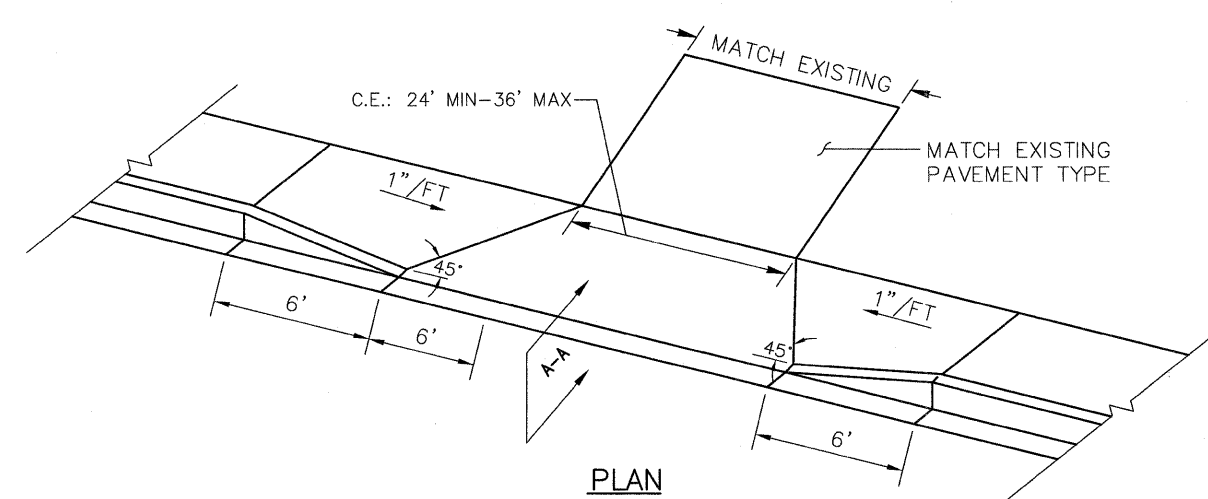
- CORPORATE OFFICE**
4940 OLD COLLINSVILLE RD.
SWANSEA, ILLINOIS 62226
TEL (618) 624-4488
FAX (618) 624-6688
corp@twm-inc.com
- CARBONDALE OFFICE**
206 WEST COLLEGE STREET
CARBONDALE, ILLINOIS 62901
TEL (618) 549-8844
FAX (618) 549-8450
carbondale@twm-inc.com
- EDWARDSVILLE OFFICE**
1015B CENTURY DRIVE
EDWARDSVILLE, ILLINOIS 62025
TEL (618) 656-4040
FAX (618) 656-4343
edwardsville@twm-inc.com
- ST. LOUIS OFFICE**
1001 CRAIG ROAD, SUITE 260
ST. LOUIS, MISSOURI 63146
TEL (314) 236-5052
FAX (314) 872-2194
stlouis@twm-inc.com
- WATERLOO OFFICE**
113 SOUTH MAIN STREET
WATERLOO, ILLINOIS 62298
TEL (618) 939-5050
FAX (618) 939-3938
waterloo@twm-inc.com

PROFESSIONAL REGISTRATIONS	LICENSE NO.
ILLINOIS PROFESSIONAL DESIGN FIRM	184-001200
PROFESSIONAL ENGINEERING CORP.	62-035370
PROFESSIONAL STRUCTURAL ENGR. CORP.	81-005202
ILLINOIS PROF. LAND SURVEYING CORP.	048-000029
MISSOURI PROFESSIONAL ENGR. CORP.	NC 001528
MISSOURI LAND SURVEYING CORP.	NC 000346

**DETAIL OF PRIVATE/FIELD ENTRANCES
(6' CONCRETE APRON)**

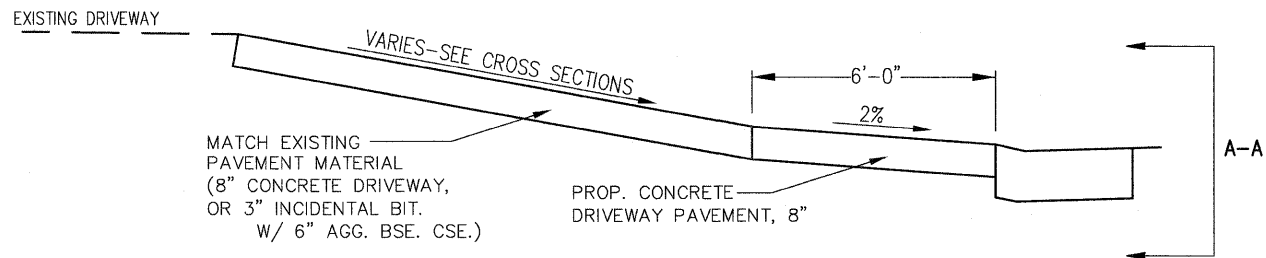


**DETAIL OF COMMERCIAL ENTRANCES
(6' CONCRETE APRON)**



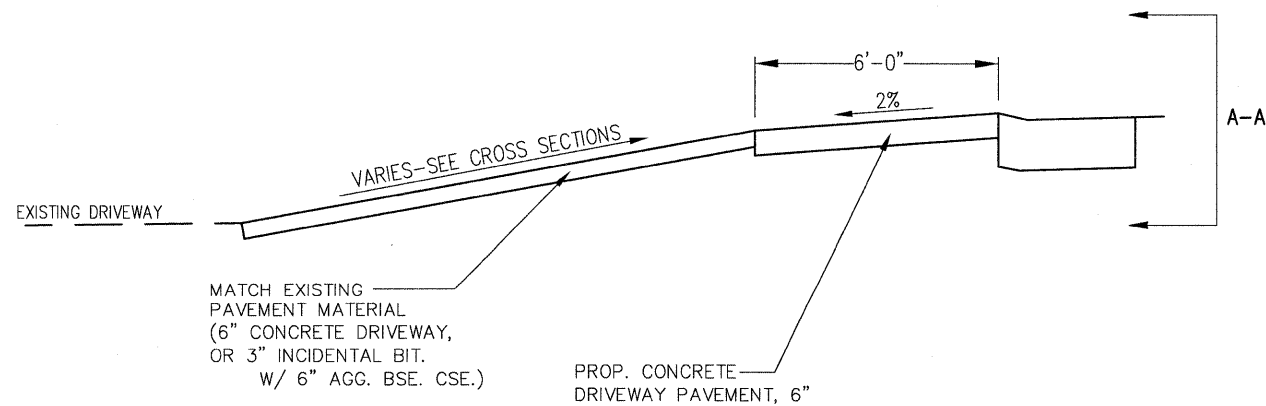
SECTION A-A (POSITIVE SLOPE)

- NOTES:
1. CONCRETE DRIVEWAY PAVEMENT MUST BE PLACED EVEN WITH THE BACK OF SIDEWALK.



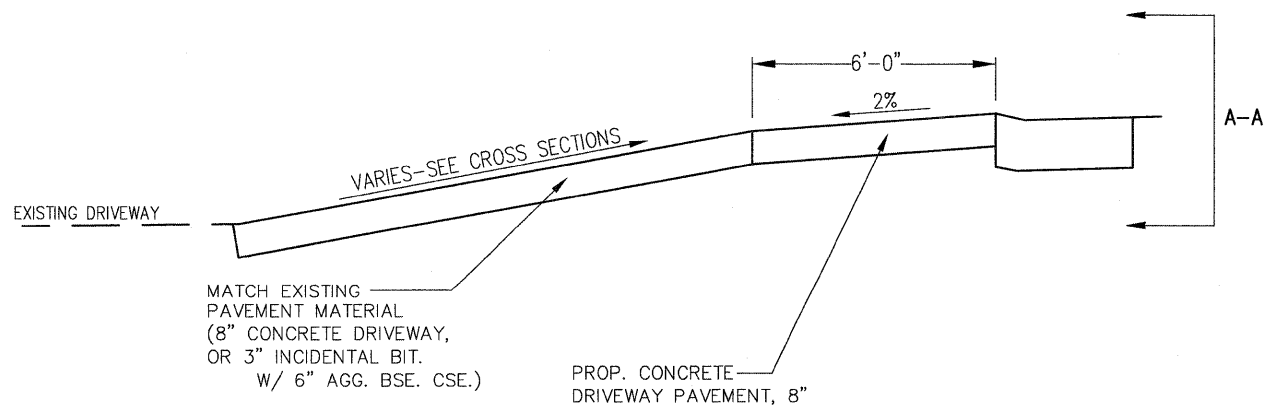
SECTION A-A (POSITIVE SLOPE)

- NOTES:
1. CONCRETE DRIVEWAY PAVEMENT MUST BE PLACED EVEN WITH THE BACK OF SIDEWALK.



SECTION A-A (NEGATIVE SLOPE)

- NOTES:
1. CONCRETE DRIVEWAY PAVEMENT MUST BE PLACED EVEN WITH THE BACK OF SIDEWALK.



SECTION A-A (NEGATIVE SLOPE)

- NOTES:
1. CONCRETE DRIVEWAY PAVEMENT MUST BE PLACED EVEN WITH THE BACK OF SIDEWALK.

ENTRANCE DETAILS FOR URBAN ENTRANCES
PEDESTRIAN SIDEWALKS ALONG ILLINOIS ROUTE 159 VILLAGE OF SWANSEA ST. CLAIR COUNTY, ILLINOIS

REV.	DATE	DESCRIPTION
△		
△		
△		

PLAN STATUS:	
100%	
7/15/09	
<input type="checkbox"/> ISSUED FOR REVIEW	<input type="checkbox"/> ISSUED FOR BIDDING
<input checked="" type="checkbox"/> ISSUED FOR CONSTR.	<input type="checkbox"/> RECORD DRAWING
DRAWN BY: BJC	SHEET
DESIGNED BY: BJC	50
CHECKED BY: JWF	OF 83 SHEETS
APPROVED BY: SJK	PROJECT DESCRIPTION
PROJECT NUMBER: T16000184A	SWANSEA SIDEWALKS