

P:\000184a\DWG\LATEST DWGS (BJG 11-06)\DWG\COVER, NOTES, SCHEDULES, TYPICALS, & DETAILS.dwg 7/26/2007 6:55:20 AM CDT

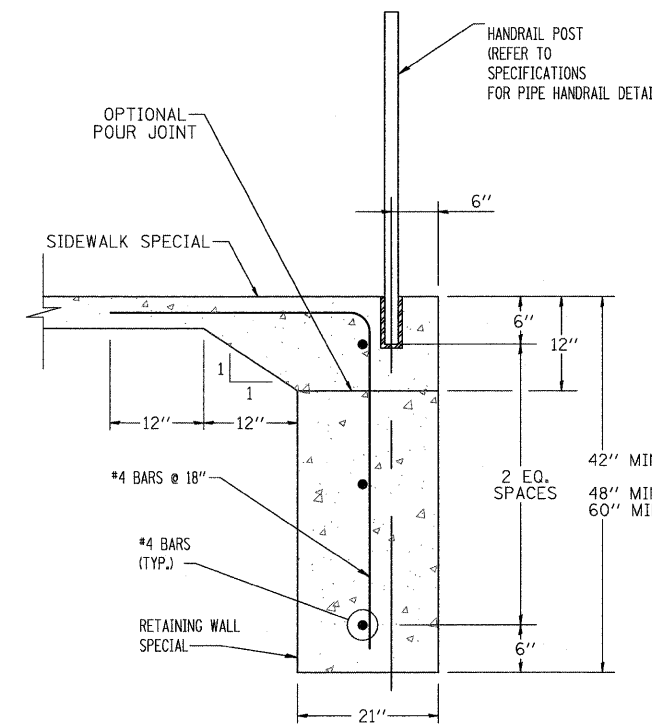
FAP ROUTE	IDOT SECTION	COUNTY
600	01-00026-00-SW	ST. CLAIR
FEDERAL AID PROJECT		ILLINOIS
IDOT JOB NO.	CMF-0600(058)	
IDOT CONTRACT NO.	97318	

THOUVENOT, WADE & MOERCHEN, INC.
ENGINEERS ♦ SURVEYORS ♦ PLANNERS



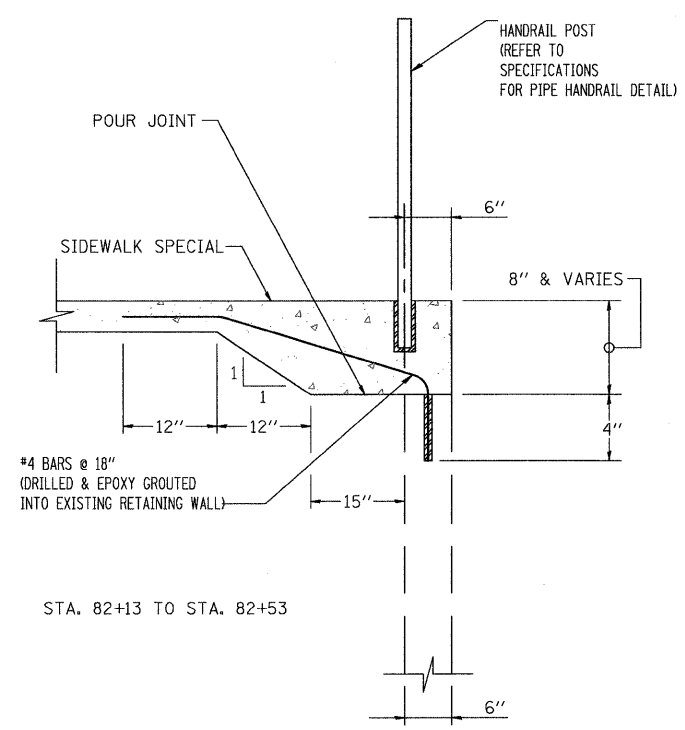
- CORPORATE OFFICE**
4940 OLD COLLINSVILLE RD.
SWANSEA, ILLINOIS 62226
TEL (618) 624-4488
FAX (618) 624-6688
corp@twm-inc.com
- CARBONDALE OFFICE**
206 WEST COLLEGE STREET
CARBONDALE, ILLINOIS 62901
TEL (618) 549-8844
FAX (618) 549-8450
carbondale@twm-inc.com
- EDWARDSVILLE OFFICE**
1015B CENTURY DRIVE
EDWARDSVILLE, ILLINOIS 62025
TEL (618) 656-4040
FAX (618) 656-4343
edwardsville@twm-inc.com
- ST. LOUIS OFFICE**
1001 CRAIG ROAD, SUITE 260
ST. LOUIS, MISSOURI 63146
TEL (314) 236-5052
FAX (314) 872-2194
stlouis@twm-inc.com
- WATERLOO OFFICE**
113 SOUTH MAIN STREET
WATERLOO, ILLINOIS 62298
TEL (618) 939-5050
FAX (618) 939-3938
waterloo@twm-inc.com

PROFESSIONAL REGISTRATIONS	LICENSE NO.
ILLINOIS PROFESSIONAL DESIGN FIRM	184-001220
PROFESSIONAL ENGINEERING CORP.	62-035370
PROFESSIONAL STRUCTURAL ENGR. CORP.	81-005202
ILLINOIS PROF. LAND SURVEYING CORP.	048-000029
MISSOURI PROFESSIONAL ENGR. CORP.	NC 001528
MISSOURI LAND SURVEYING CORP.	NC 000346



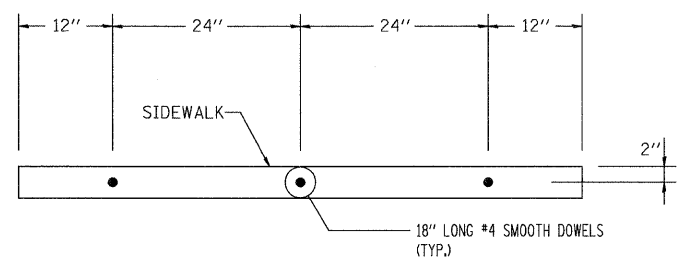
- SIDEWALK/FOOTING NOTES:**
- LONGITUDINAL REINFORCEMENT SHALL NOT TRAVERSE ACROSS CONTROL JOINTS. SMOOTH DOWELS SHALL BE PLACED AT THE CONTROL JOINTS IN ACCORDANCE WITH THE DOWEL BAR LAYOUT DETAILS AND SHALL BE INCLUDED IN THE APPROPRIATE PCC SIDEWALK PAY ITEM.
 - CONTROL JOINTS SHALL BE LOCATED AT INTERVALS OF 50' OR LESS WITH 1" OF PREFORMED EXPANSION JOINT FILLER.
- 42" MIN. (STA. 94+90 TO STA. 97+19)
48" MIN. (STA. 97+40 TO STA. 97+43)
60" MIN. (STA. 109+61 TO STA. 110+56)
60" MIN. (STA. 97+19 TO STA. 97+40)

TYPICAL SIDEWALK SPECIAL SECTION WITH RETAINING WALL SPECIAL
N.T.S.

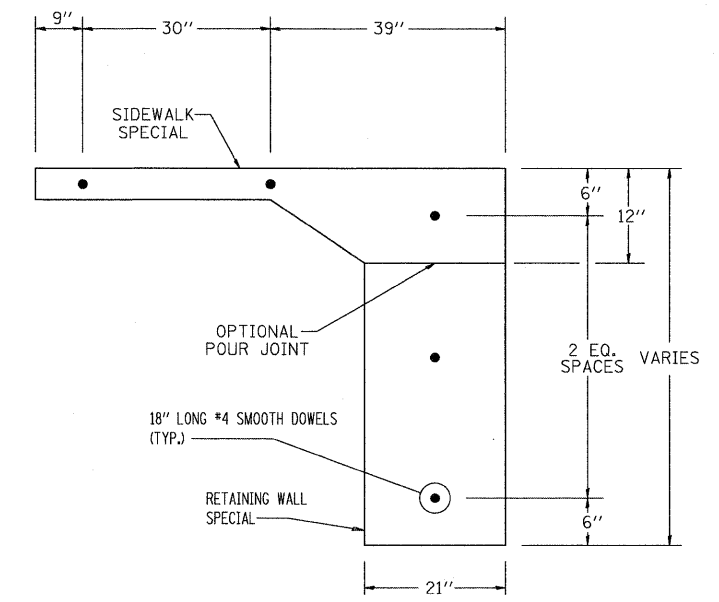


STA. 82+13 TO STA. 82+53

TYPICAL SIDEWALK SPECIAL SECTION ON EXISTING WALL
N.T.S.



TYPICAL SIDEWALK SECTIONS
N.T.S.



SIDEWALK SPECIAL SECTIONS
N.T.S.

DOWEL BAR LAYOUT DETAILS (EXPANSION JOINTS)
N.T.S.

TITLE
MISC. SIDEWALK AND RETAINING WALL SPECIAL DETAILS

PROJECT:
PEDESTRIAN SIDEWALKS
ALONG ILLINOIS ROUTE 159
VILLAGE OF SWANSEA
ST. CLAIR COUNTY, ILLINOIS

REV.	DATE	DESCRIPTION
▲		
▲		
▲		

PLAN STATUS:

100%
7/15/09

ISSUED FOR REVIEW ISSUED FOR BIDDING
 ISSUED FOR CONSTR. RECORD DRAWING

DRAWN BY: BJC SHEET
DESIGNED BY: BJC **52**
CHECKED BY: JWF OF 83 SHEETS
APPROVED BY: SJK PROJECT DESCRIPTION
PROJECT NUMBER T16000184A SWANSEA SIDEWALKS