

P:\000184a\DWG\LATEST DWGS (BJG 11-06)\DWG\COVER, NOTES, SCHEDULES, TYPICALS, & DETAILS.dwg 7/26/2007 6:55:20 AM CDT

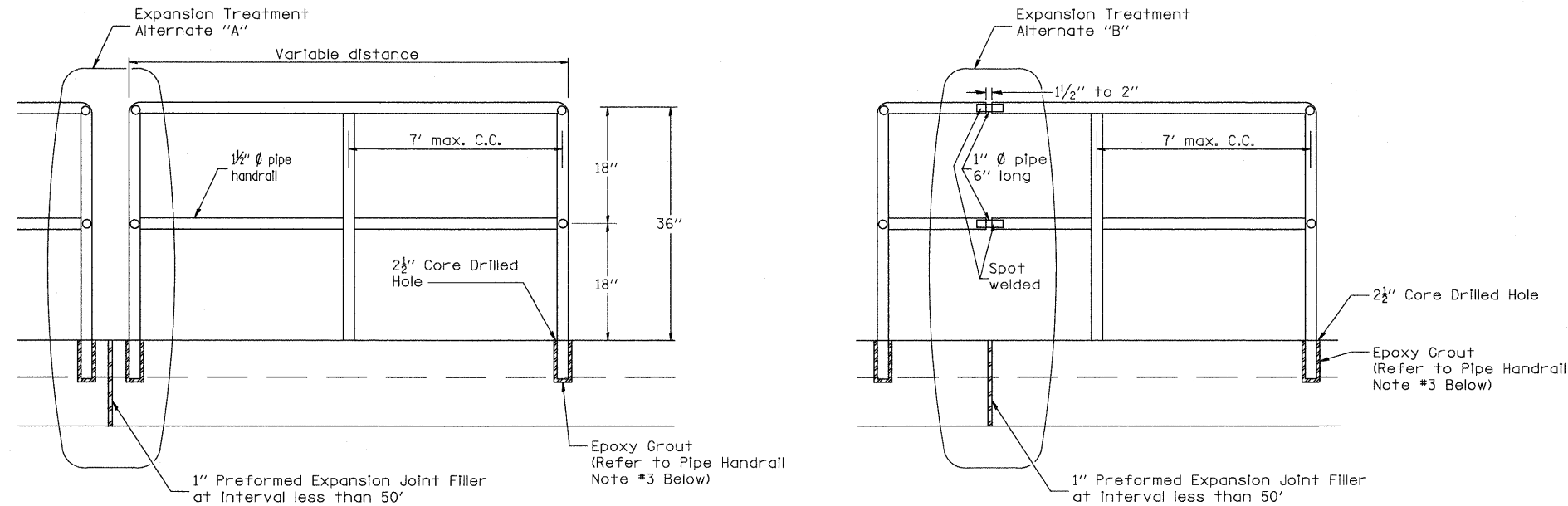
FAP ROUTE	IDOT SECTION	COUNTY
600	01-00026-00-SW	ST. CLAIR
FEDERAL AID PROJECT	ILLINOIS	
IDOT JOB NO.	CMF-0600(058)	
IDOT CONTRACT NO.	97318	

THOUVENOT, WADE & MOERCHEN, INC.
ENGINEERS ♦ SURVEYORS ♦ PLANNERS



- CORPORATE OFFICE**
4940 OLD COLLINSVILLE RD.
SWANSEA, ILLINOIS 62226
TEL (618) 624-4488
FAX (618) 624-6688
corp@twm-inc.com
- CARBONDALE OFFICE**
206 WEST COLLEGE STREET
CARBONDALE, ILLINOIS 62901
TEL (618) 549-8844
FAX (618) 549-8450
carbondale@twm-inc.com
- EDWARDSVILLE OFFICE**
1015B CENTURY DRIVE
EDWARDSVILLE, ILLINOIS 62025
TEL (618) 656-4040
FAX (618) 656-4343
edwardsville@twm-inc.com
- ST. LOUIS OFFICE**
1001 CRAIG ROAD, SUITE 260
ST. LOUIS, MISSOURI 63146
TEL (314) 236-5052
FAX (314) 872-2194
stlouis@twm-inc.com
- WATERLOO OFFICE**
113 SOUTH MAIN STREET
WATERLOO, ILLINOIS 62298
TEL (618) 939-5050
FAX (618) 939-3938
waterloo@twm-inc.com

PROFESSIONAL REGISTRATIONS	LICENSE NO.
ILLINOIS PROFESSIONAL DESIGN FIRM	184-001220
PROFESSIONAL ENGINEERING CORP.	62-035370
PROFESSIONAL STRUCTURAL ENGR. CORP.	81-005202
ILLINOIS PROF. LAND SURVEYING CORP.	048-000029
MISSOURI PROFESSIONAL ENGR. CORP.	NC 001528
MISSOURI LAND SURVEYING CORP.	NC 000346



PIPE HANDRAIL
N.T.S.

PIPE HANDRAIL NOTES:

1. ARTICLE 509 OF THE STANDARD SPECIFICATIONS SHALL APPLY.
2. CONNECTION OF RAILING TO POSTS SHALL BE MADE BY CONTINUOUS WELDING OR WITH USING STANDARD PIPE FITTING. IF WELDING IS CHOSEN, THE WELDED AREA SHALL BE PAINTED TO THE SATISFACTION OF THE ENGINEER AND SHALL BE INCLUDED IN THE CONTRACT UNIT PRICE FOR PIPE HANDRAIL.
3. EPOXY GROUT SHALL BE SIKADUR 42 GROUT-PAK (100% SOLIDS, MOISTURE TOLERANT, 3-COMPONENT EPOXY GROUTING SYSTEM) OR EQUIVALENT AS DETERMINED BY THE ENGINEER.
4. THE PIPE HANDRAIL SHALL BE GALVANIZED BY THE HOT-DIP PROCESS.
5. IT IS THE CONTRACTOR'S OPTION TO CHOOSE THE EXPANSION TREATMENT "A" OR "B". THE SPOT WELDED AREA SHALL BE PAINTED TO THE SATISFACTION OF THE ENGINEER AND SHALL BE INCLUDED IN THE CONTRACT UNIT PRICE FOR PIPE HANDRAIL.

PIPE HANDRAIL DETAILS	PEDESTRIAN SIDEWALKS ALONG ILLINOIS ROUTE 159 VILLAGE OF SWANSEA ST. CLAIR COUNTY, ILLINOIS
TITLE	PROJECT

REV.	DATE	DESCRIPTION
▲		
▲		
▲		

PLAN STATUS:

100%
7/15/09

ISSUED FOR REVIEW ISSUED FOR BIDDING
 ISSUED FOR CONSTR. RECORD DRAWING

DRAWN BY: BJB	SHEET
DESIGNED BY: BJB	53
CHECKED BY: JWF	OF 83 SHEETS
APPROVED BY: SJK	PROJECT DESCRIPTION
PROJECT NUMBER T16000184A	SWANSEA SIDEWALKS