

SUMMARY OF QUANTITIES

CODE NO.	ITEM	UNIT	QUANTITY
20100500	TREE REMOVAL, ACRES	ACRE	0.10
20200100	EARTH EXCAVATION	CU. YD.	306
20300100	CHANNEL EXCAVATION	CU. YD.	875
20400800	FURNISHED EXCAVATION	CU. YD.	525
25001000	SEEDING CLASS 2, SPECIAL	ACRE	1.2
28000250	TEMPORARY EROSION CONTROL SEEDING	POUND	120
28000315	AGGREGATE DITCH CHECKS	TON	15
28000400	PERIMETER EROSION BARRIER	FOOT	843
28100807	STONE DUMPED RIPRAP, CLASS A4	TON	730
40200800	AGGREGATE SURFACE COURSE, TYPE B	TON	621
50100100	REMOVAL OF EXISTING STRUCTURES	EACH	1
50200100	STRUCTURE EXCAVATION	CU. YD.	165
50300225	CONCRETE STRUCTURES	CU. YD.	47.2
50300280	CONCRETE ENCASMENT	CU. YD.	1.7
50400605	PRECAST PRESTRESSED CONCRETE DECK BEAMS (33" DEPTH)	SQ. FT.	1696
50800105	REINFORCEMENT BARS	POUND	4450
50900205	STEEL RAILING, TYPE S1	FOOT	144
51201400	FURNISHING STEEL PILES HP 10X42	FOOT	530
51202305	DRIVING PILES	FOOT	530
51203400	TEST PILE, STEEL HP 10X42	EACH	2
51500100	NAME PLATES	EACH	1
54200223	PIPE CULVERTS, CLASS D, TYPE 1 18"	FOOT	40
54201060	PIPE CULVERTS, CLASS D, TYPE 2 15"	FOOT	60
67100100	MOBILIZATION	L. SUM	1
70101830	TRAFFIC CONTROL AND PROTECTION STANDARD BLR 21	L.SUM	1
78201000	TERMINAL MARKER - DIRECT APPLIED	EACH	4
X5020501	UNDERWATER STRUCTURE EXCAVATION PROTECTION - LOCATION 1	EACH	1
Z0022800	FENCE REMOVAL	FOOT	516

* SEE SPECIAL PROVISIONS
 Δ SPECIALTY ITEMS

GENERAL NOTES

SEEDING: FERTILIZER NUTRIENTS SHALL BE APPLIED AT A RATIO OF 1:1:1 AND AT A RATE OF 90 POUNDS PER ACRE FOR EACH NUTRIENT.
 MULCH SHALL BE APPLIED AT THE RATE OF 2 TONS PER ACRE.
 AREAS TO BE SEEDDED SHALL CONSIST OF ALL DISTURBED EARTH SURFACES WITHIN THE RIGHT OF WAY AS DIRECTED BY THE ENGINEER.
 NO COMMITMENTS.
 AREAS OF ALL DISTURBED EARTH SURFACES BEYOND THE RIGHT OF WAY SHALL BE SEEDDED AT THE COST OF THE CONTRACTOR.

EARTHWORK SCHEDULE

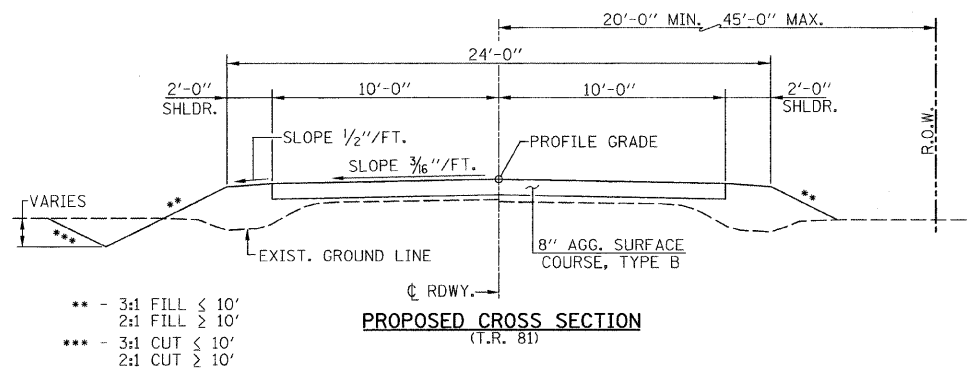
LOCATION	EARTH EXCAVATION	EARTH EXCAVATION ADJUSTED FOR SHRINKAGE	EMBANKMENT	EARTHWORK BALANCE WASTE (+) OR SHORTAGE (-)
	CU. YD.	CU. YD.	CU. YD.	CU. YD.
STA. 5+20 TO STA. 5+50	6	5	2	3
STA. 5+50 TO STA. 6+00	11	8	21	-13
STA. 6+00 TO STA. 6+50	1	1	69	-68
STA. 6+50 TO STA. 7+00	2	1	136	-134
STA. 7+00 TO STA. 7+50	31	23	200	-177
STA. 7+50 TO STA. 7+67	20	15	77	-62
BRIDGE OMISSION - STA. 7+67 TO STA. 8+39	-	-	-	-
STA. 8+39 TO STA. 8+50	3	2	27	-25
STA. 8+50 TO STA. 9+00	15	11	284	-273
STA. 9+00 TO STA. 9+50	11	8	205	-197
STA. 9+50 TO STA. 10+00	6	5	139	-134
STA. 10+00 TO STA. 10+50	10	8	58	-50
STA. 10+50 TO STA. 11+00	25	19	11	8
STA. 11+00 TO STA. 11+10	4	3	1	2
STA. 20+10 TO STA. 20+30	49	37	15	22
STA. 20+30 TO STA. 20+50	65	49	19	30
STA. 20+50 TO STA. 20+75	31	23	8	15
STA. 20+75 TO STA. 20+90	16	12	2	10
TOTAL	306	229	1274	**** -525

**** QUANTITY HAS BEEN REDUCED BY 520 CU. YD. WHICH IS AN ESTIMATED QUANTITY (50% OF 875 CU. YD. + 165 CU. YD.) OF SUITABLE CHANNEL AND STRUCTURE EXCAVATION AS DIRECTED BY THE ENGINEER.

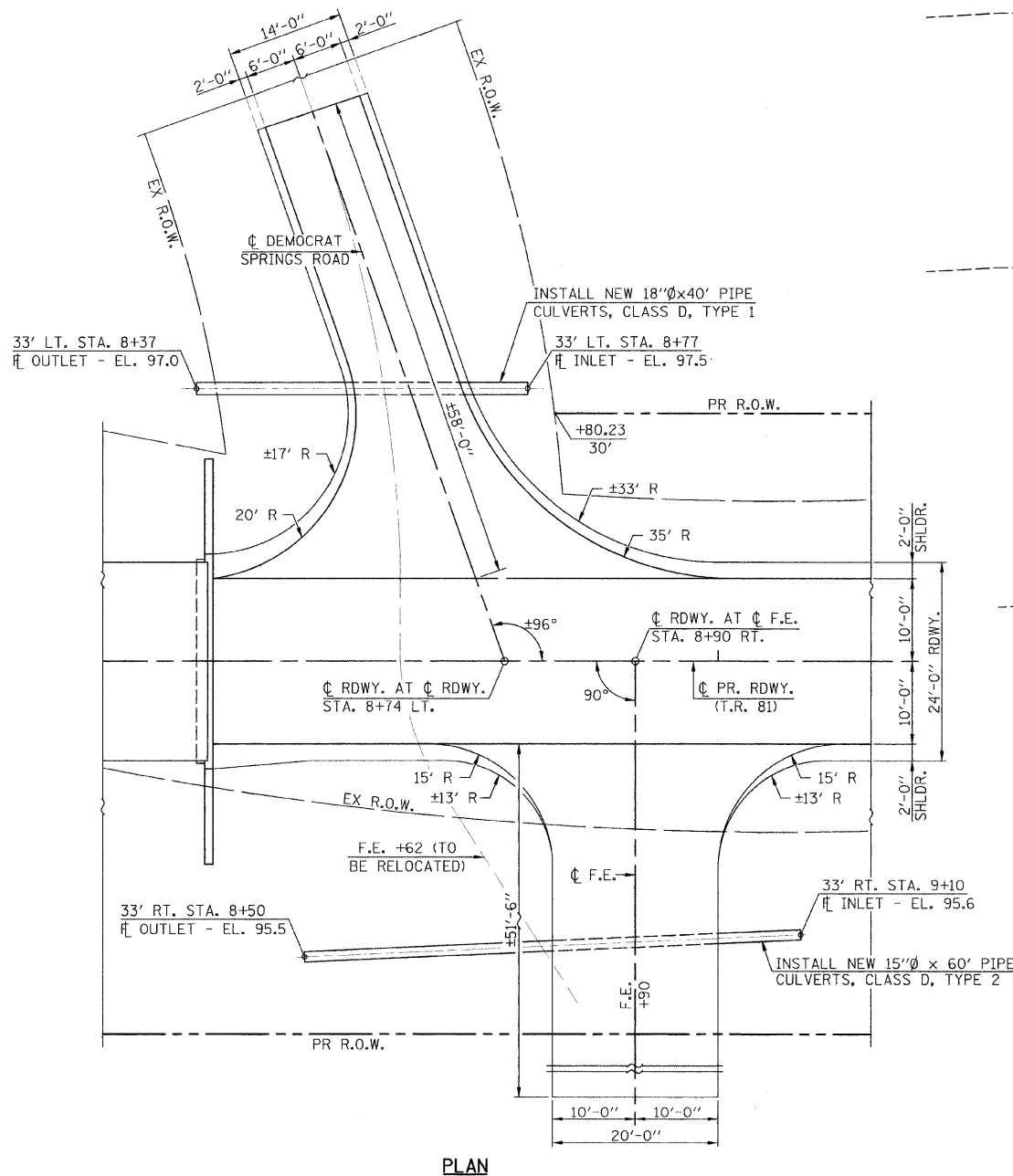
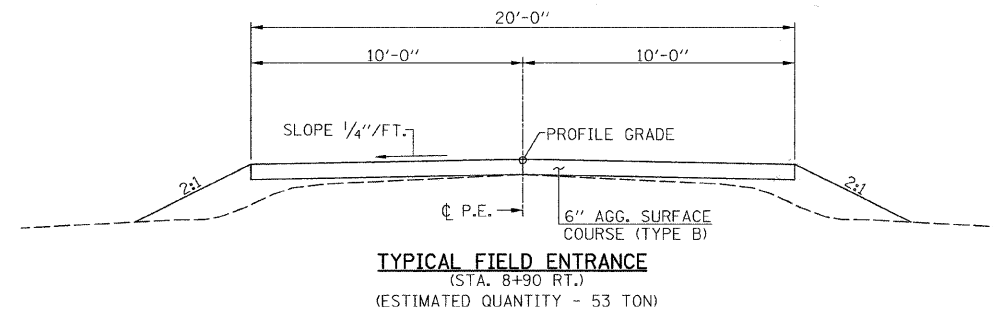
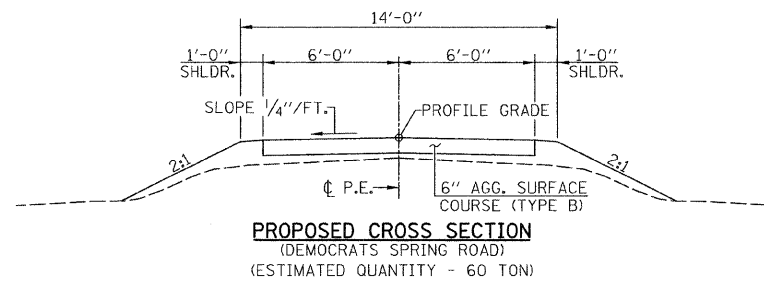
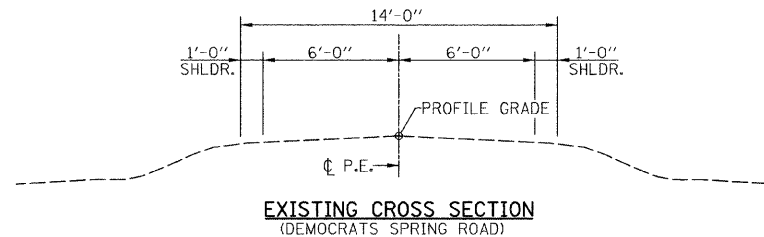
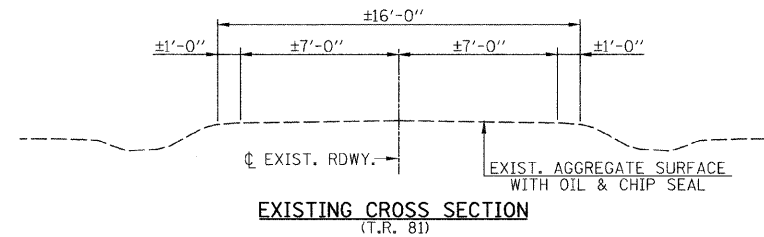
SUMMARY OF QUANTITIES, DETAILS & TYPICAL SECTIONS

SCALE: 1" = 4' SHEET NO. 2 OF 19 SHEETS STA. TO STA.

T.R. RTE.	SECTION	COUNTY	TOTAL SHEET SHEETS NO.
B1	05-10012-00-BR	JERSEY	19 2
FED. ROAD DIST. NO.	ILLINOIS FED. AID PROJECT	CONTRACT NO. 97409	



••• - 3:1 FILL < 10'
 2:1 FILL > 10'
 ••• - 3:1 CUT < 10'
 2:1 CUT > 10'



FILE NAME =	USER NAME = #USER#	DESIGNED -	REVISED -
#PLOT#		DRAWN -	REVISED -
PLOT SCALE = #SCALE#		CHECKED -	REVISED -
PLOT DATE = #DATE#		DATE -	REVISED -

Allen Henderson & Associates, Inc.
 Civil and Structural Engineers Springfield, IL
 62703 Phone: (217)544-8033 IL Design Firm
 No. 184-001907