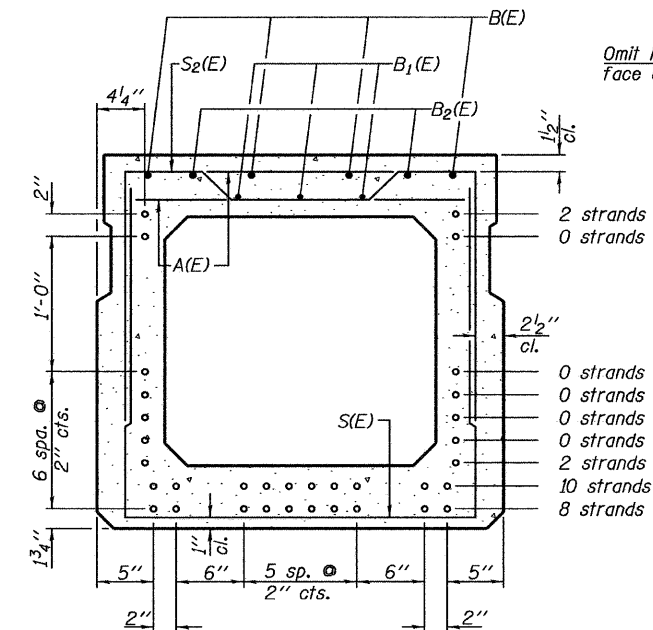
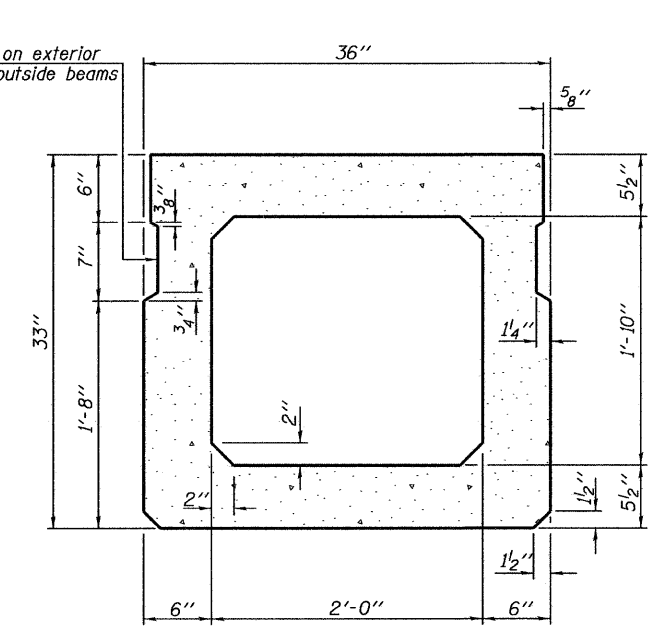


**SECTION C-C**

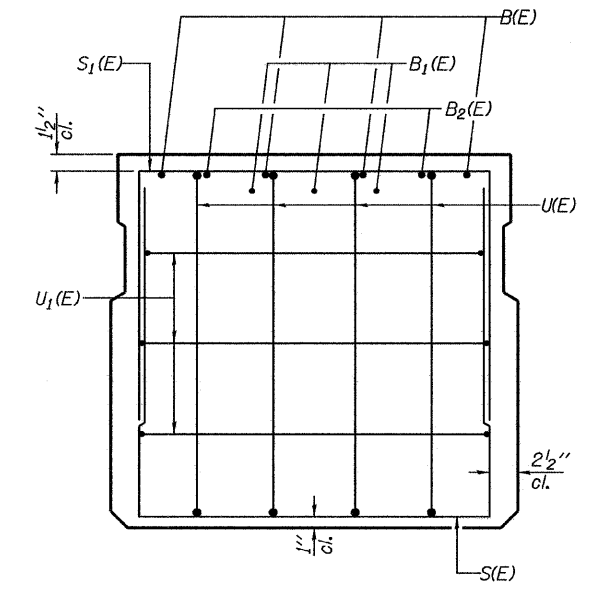


**SECTION A-A**  
(Showing reinforcement and permissible strand locations)

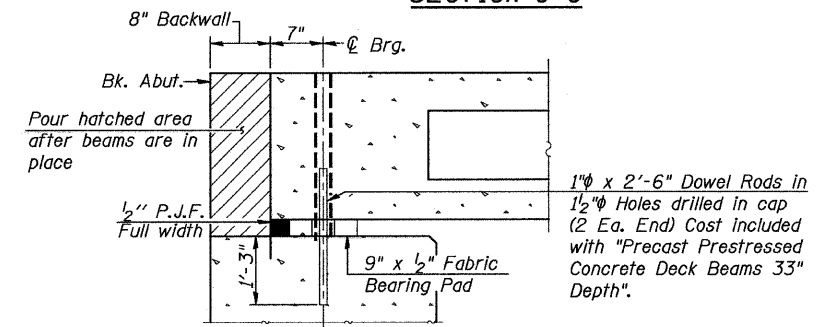
Note: Place the number of strands specified in each row symmetrically about the centerline of beam in the permissible strand locations shown.



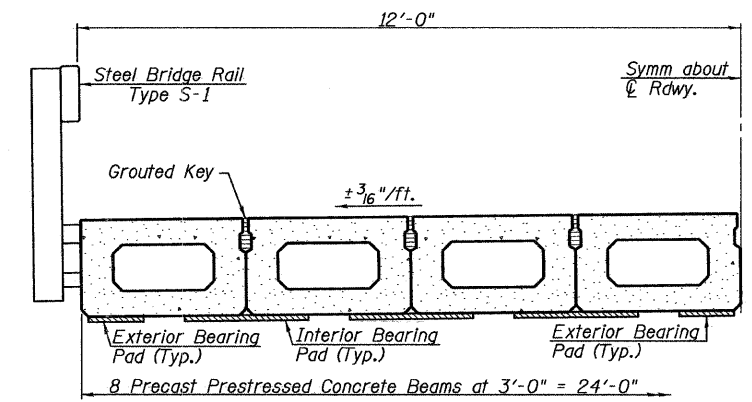
**SECTION A-A**  
(Showing dimensions)



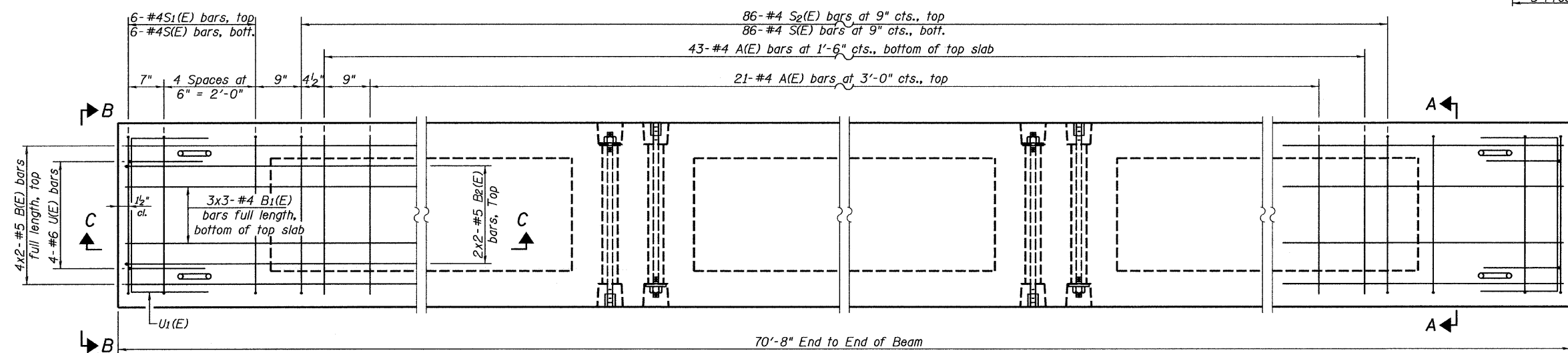
**VIEW B-B**



**SECTION THRU ABUTMENT**  
(At Right Angles)



**HALF CROSS SECTION**



**PLAN VIEW**

**BAR LIST**  
**ONE BEAM ONLY**  
(For information only)

Bar	No.	Size	Length	Shape
A(E)	64	#4	2'-7"	—
B(E)	8	#5	36'-4"	—
B1(E)	9	#4	24'-8"	—
B2(E)	4	#5	36'-4"	—
S(E)	98	#4	7'-5"	U
S1(E)	12	#4	6'-3"	U
S2(E)	86	#4	6'-6"	U
U(E)	8	#6	5'-0"	C
U1(E)	6	#4	5'-0"	C

Note: See sheet 7 of 19 for additional details and Bill of Material.

**MIN. LAP**

#4 Bars = 1'-8"  
#5 Bars = 2'-2"

**SUPERSTRUCTURE**  
**T.R. RTE. 81 OVER STREAM**  
**SECTION NO. 05-10012-00-BR**  
**JERSEY COUNTY**

<p><b>Allen Henderson &amp; Associates, Inc.</b> Civil and Structural Engineers Springfield, IL. 62703 Phone: (217)544-8033 IL. Design Firm No. 184-001907</p>	SHEET NO. 2	T.R. RTE. 81	SECTION 05-10012-00-BR	COUNTY JERSEY	TOTAL SHEETS 19	SHEET NO. 6
	8 SHEETS	CONTRACT NO. 97409				
	FED. ROAD DIST. NO. ILLINOIS FED. AID PROJECT					