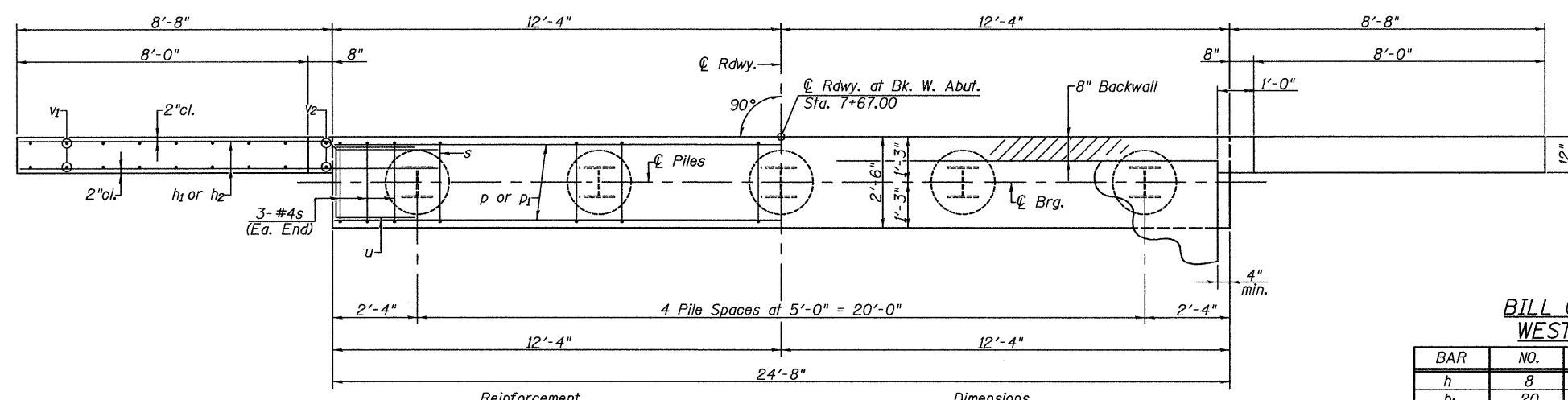


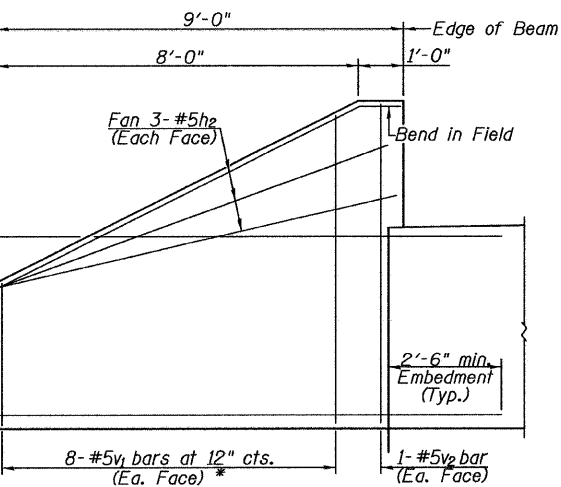
**PILE DATA**

Type: West Abut.  
 Nominal Required Bearing: Steel HP 10x42 335 Kips  
 Factored Resistance Available: 167 Kips  
 Estimated Pile Length: 53'  
 Number of Production: 4  
 Number of Test Piles: 1

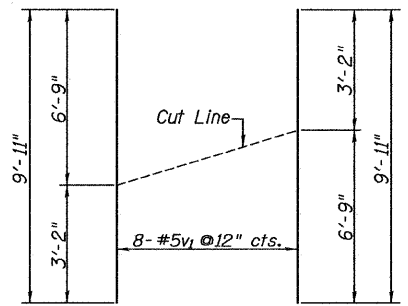
**ELEVATION**  
(Looking West)



**PLAN**  
Reinforcement Dimensions

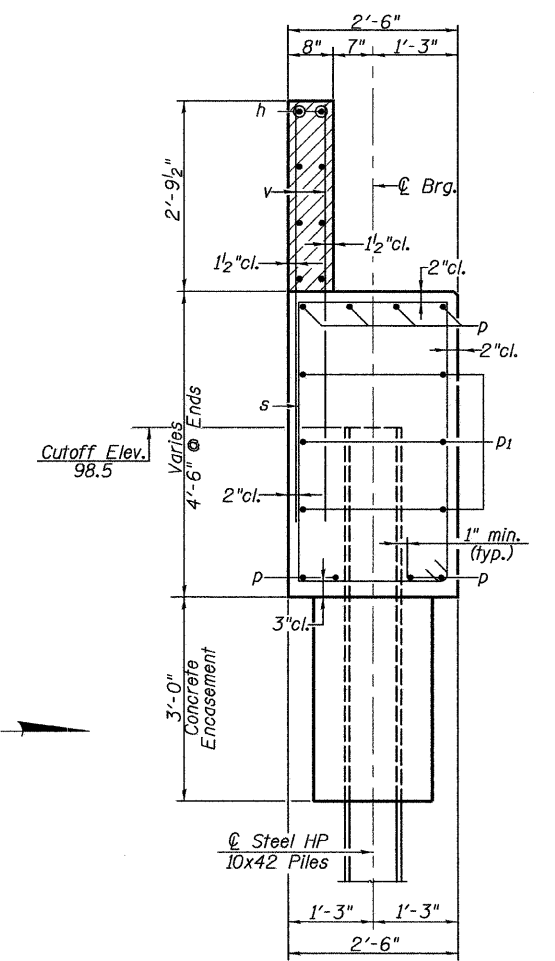


**WINGWALL ELEVATION**  
(Showing Reinforcement)  
\* See v1 - bar cut diagram



**v1 - BAR CUT DIAGRAM**  
Order v1 bars full length. Layout in field according to diagram. Cut v1 bars along cut line. Use remainder of each bar in opposite face.

**NOTES**  
 All exposed edges shall have standard 3/4" chamfer.  
 Space reinforcement in cap to miss beam anchor dowels.  
 Wingwalls and Backwalls may, at the contractor's option, be cast monolithically.  
 Hatched area and wingwalls shall be poured after deck beams are anchored in place.  
 The Steel H-Piles shall be according to AASHTO M270, Grade 50.

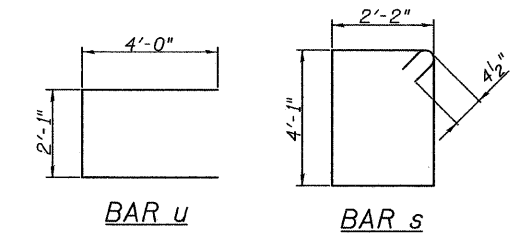


**SECTION THRU ABUTMENT**

**BILL OF MATERIAL WEST ABUTMENT**

BAR	NO.	SIZE	LENGTH	SHAPE
h	8	#4	25'-8"	—
h1	20	#5	11'-0"	—
h2	12	#5	8'-10"	—
p	8	#6	24'-4"	—
p1	6	#5	24'-4"	—
s	30	#4	13'-3"	□
u	10	#6	10'-1"	□
v	50	#4	4'-3"	—
v1	16	#5	9'-11"	—
v2	4	#5	6'-11"	—

Concrete Structures	Cu. Yd.	16.1
Reinforcement Bars	Pound	1665
Furnishing Steel Piles HP 10x42	Foot	212
Driving Piles	Foot	212
Test Pile Steel HP 10x42	Each	1
Concrete Encasement	Cu. Yd.	1.7
Structure Excavation	Cu. Yd.	47



**WEST ABUTMENT**  
T.R. RTE. 81 OVER STREAM  
SECTION 05-10012-00-BR  
JERSEY COUNTY



**Allen Henderson & Associates, Inc.**  
 Civil and Structural Engineers Springfield, IL.  
 62703 Phone: (217)544-8033 IL Design Firm  
 No. 184-001907

SHEET NO. 5  
8 SHEETS

T.R. RTE.	SECTION	COUNTY	TOTAL SHEETS	SHEET NO.
81	05-10012-00-BR	JERSEY	19	9
CONTRACT NO. 97409				
FED. ROAD DIST. NO. - ILLINOIS FED. AID PROJECT				