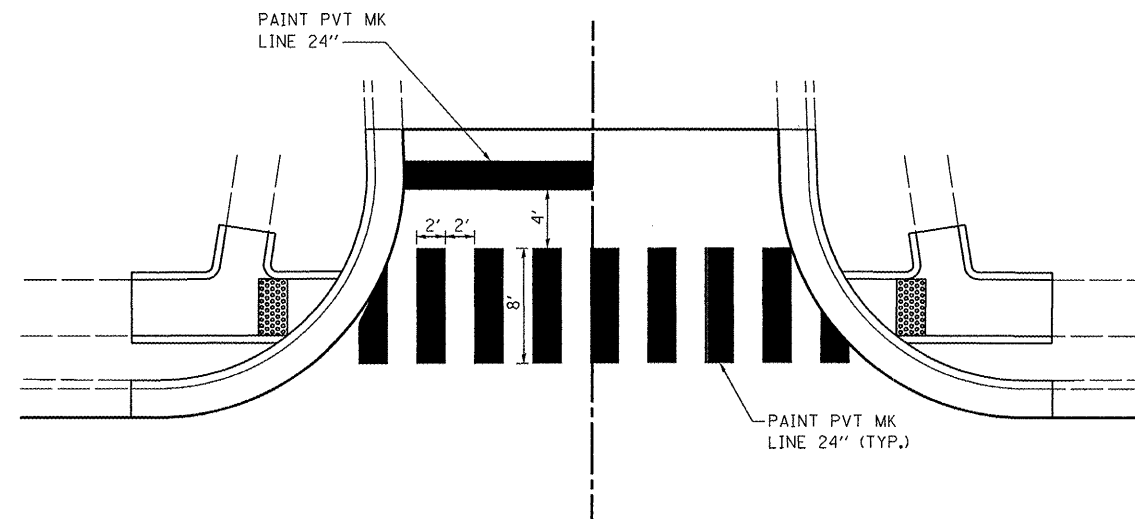
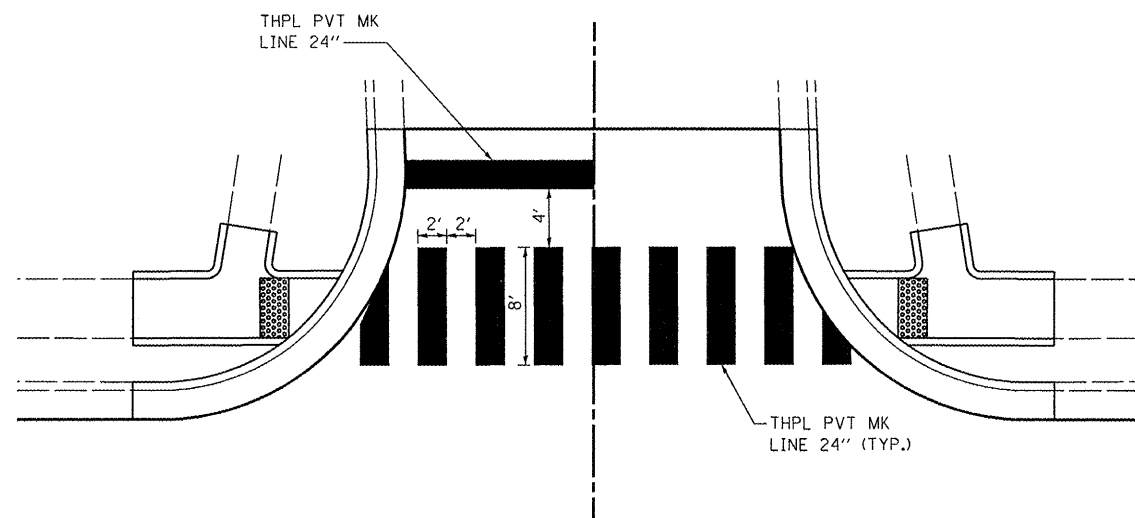


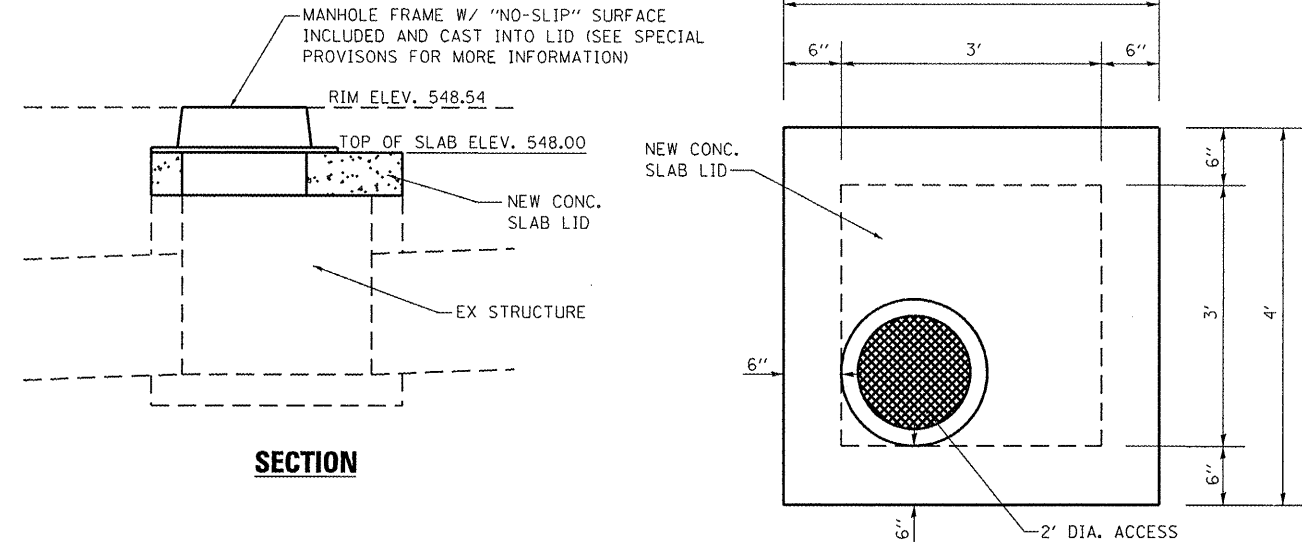
PARKING LANE STRIPING DETAILS
(NOT TO SCALE)



CROSSWALK STRIPING DETAILS ON CONCRETE PAVEMENT
(NOT TO SCALE)

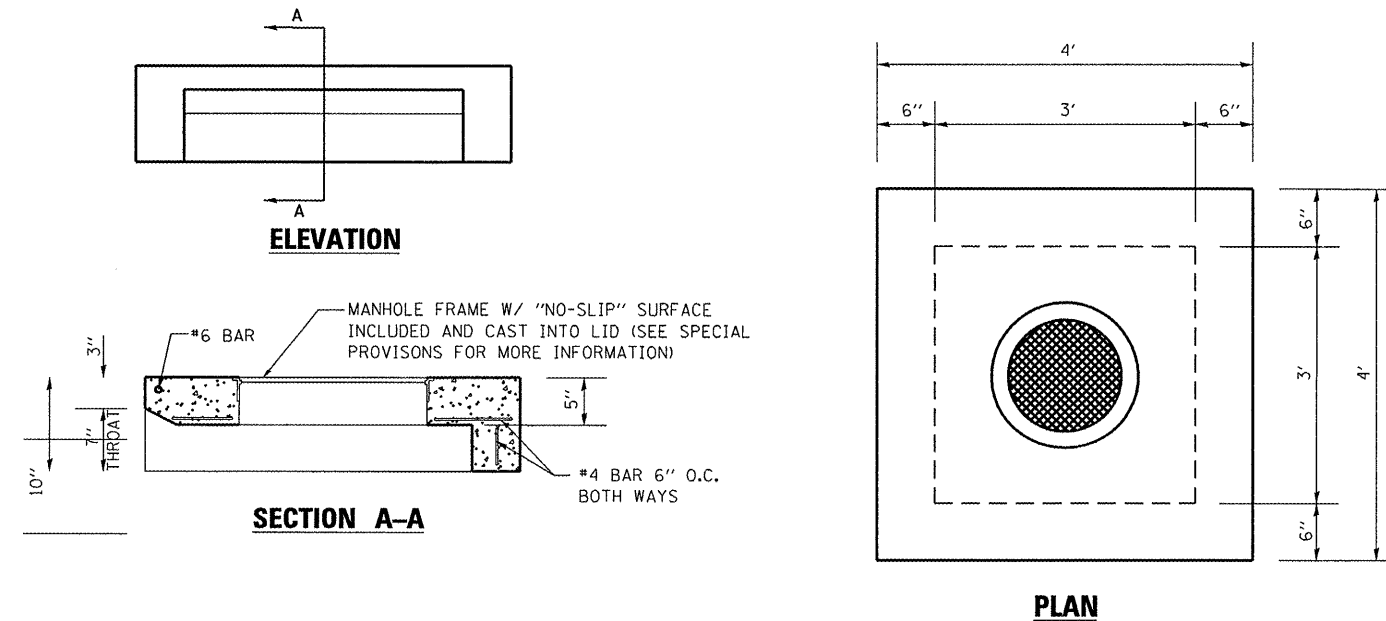


CROSSWALK STRIPING DETAILS ON ASPHALT PAVEMENT
(NOT TO SCALE)



MANHOLE ADJUSTMENT DETAIL

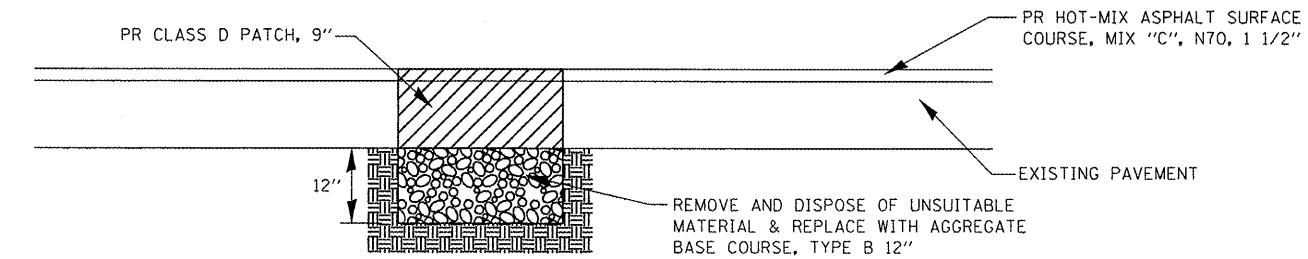
STA. 17+34, 24.24' RT
(NOT TO SCALE)



INLET LID (SPECIAL)

(NOT TO SCALE)

NOTE: MODIFY THROAT DEPTH TO MATCH EXISTING FIELD CONDITIONS AS REQUIRED



REPAIR UNSTABLE SUBBASE DETAIL

(NOT TO SCALE)

FILE NAME =	USER NAME = travis	DESIGNED -	REVISED -
H:\P\29012\Microstation\08-29012\details.dgn		DRAWN -	REVISED -
	PLOT SCALE = 40.0000' / 1/4"	CHECKED -	REVISED -
	PLOT DATE = 11/6/2009	DATE -	REVISED -

STATE OF ILLINOIS
DEPARTMENT OF TRANSPORTATION

CONSTRUCTION DETAILS

SCALE: NONE SHEET NO. 1 OF 1 SHEETS

F.A.U. RTE.	SECTION	COUNTY	TOTAL SHEETS	SHEET NO.
8892	09-00099-00-RS	MADISON	14	14
MADISON AVENUE RESURFACING			CONTRACT NO. 97413	
ILLINOIS FED. AID PROJECT				